



# APS1000 SERIES

## SURFACE MOUNT SILICON PIN SWITCHING DIODE

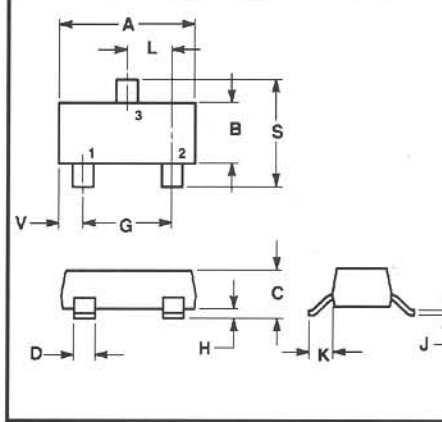
### DESCRIPTION:

SILICON PIN SWITCHING DIODE IN A SOT-23 PACKAGE

### Absolute Maximum Ratings

I	100MA
V	AS SHOWN
P.D.	250mW @ TC=25°C

### PACKAGE STYLE SOT-23



DIM	MILLIMETERS		INCHES	
	MIN	MAX	MIN	MAX
A	2.80	3.04	0.1102	0.1197
B	1.20	1.40	0.0472	0.0551
C	0.89	1.11	0.0350	0.0440
D	0.37	0.50	0.0150	0.0200
G	1.78	2.04	0.0701	0.0807
H	0.013	0.100	0.0005	0.0040
J	0.285	0.177	0.0034	0.0070
K	0.45	0.60	0.0180	0.0236
L	0.89	1.02	0.0350	0.0401
S	2.10	2.50	0.0830	0.0984
V	0.45	0.60	0.0177	0.0236

### Electrical Characteristics

Model Number	Configuration	Min. Breakdown Voltage (VOLTS) IR=10μA	Max. Capacitance (pF) f=1MHz VR=20V	Max. Series Resistance (OHMS) f=100MHz IF=10mA	Typical Carrier Lifetime (μSEC)
APS1000	Single	35	1.0	0.5	0.2
APS1000SP	Series Pair	35	1.0	0.5	0.2
APS1000CC	Common Cathode	35	1.0	0.5	0.2
APS1001	Single	50	0.35	1.5	0.2
APS1001SP	Series Pair	50	0.35	1.5	0.2
APS1001CC	Common Cathode	50	0.35	1.5	0.2
APS1002	Single	100	1.20	0.6	1.0
APS1002SP	Series Pair	100	1.20	0.6	1.0
APS1002CC	Common Cathode	100	1.20	0.6	1.0
APS1003	Single	100	0.35	3.0	1.2
APS1003SP	Series Pair	100	0.35	3.0	1.2
APS1003CC	Common Cathode	100	0.35	3.0	1.2

### Pin Configuration:

Single: Pin #1=Anode, Pin #2=N.C., Pin #3=Cathode  
 Series Pair: Pin #1=Anode, Pin #2=Cathode, Pin #3=Cathode/Anode  
 Common Cathode: Pin #1=Anode, Pin #2=Anode, Pin #3=Cathode/Cathode