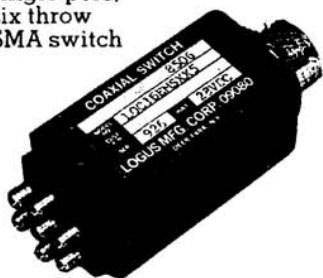
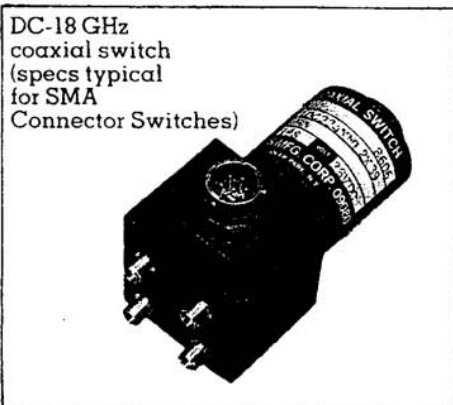


COAXIAL SWITCHES

single pole,
six throw
SMA switch



dual waveguide
coaxial switch



Frequency (GHz)	VSWR (Max)	Insertion Loss (dB Max)	Isolation (dB)
DC-1	1.05:1	.05	80
1-2	1.10	.1	70
2-8.4	1.20	.25	60
8.4-14.0	1.25	.35/.4	60
14.0-18	1.33	.5	60

custom
designed



double pole
double throw
type N switch





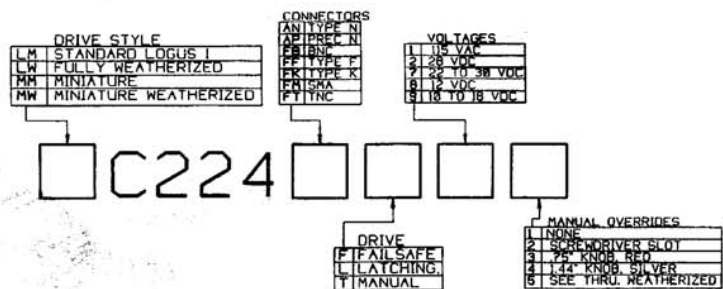
C224 SERIES

Baseball style coaxial switches w/manual override.

When manual override is a desired characteristic, the LOGUS C224 product line of coaxial switches is the right choice from DC - 40 GHz.

The patented LOGUS I DRIVE powers a series of Broadband coaxial RF's creating a package unsurpassed in the industry.

The following pages comprise a variety of sample models commonly used in SATCOM and CELLULAR applications.



REVISIONS				
EDN	LTR	DESCRIPTION	DATE	APPROVED

MOUNTING HOLES
5-32UNC-2B X .18 DP
2 NEAR SIDE
2 FAR SIDE

TYPE 'SMA' CONN.

CONNECTOR
PT07E-10-6P

1.60 TYP.

1.44 DIA
.75 DIA

.187

.312

.75

.31 TYP.

.020 TYP.

COAXIAL SWITCH

SCHMATIC DIAGRAM-LATCHING SHOWN IN POSITION 1

FREQUENCY	VSWR-MAX.	INSERTION LOSS MAX.	ISOLATION MIN.
0-1.0 GHz	< 1.05	< .05	80 db
1.0-2.0 GHz	1.10	0.1	70 db
2.0-6.5 GHz	1.20	.25	60 db
6.5-8.4 GHz	1.25	.25	60 db
8.4-11.0 GHz	1.25	.35/ .40	60 db
11.0-14.0 GHz	1.25	.40	60 db
14.0-18.0 GHz	1.33	.50	60 db

SPECIFICATIONS:

ELECTRICAL:
POWER 50 WCH
RF IMPEDANCE 50 OHMS
SWITCHING TIME MAX. 50 MS
CONTACTS BREAK BEFORE MAKE
VOLTAGE 20 VDC + OR - 10%
CURRENT 1.0 AMP MAX. @ 20 DEG. C.

MECHANICAL:
MATERIAL ALUMINUM (RF ASSY) CONN. SHELL CRES.
FINISH IRIDITE PER MIL-C-5541
PAINT DULL BLACK ENAMEL
LIFE 1,000,000 CYCLES

ENVIRONMENTAL:
TEMPERATURE OPERATIVE -10C TO +71C
NON-OPERATIVE -55C TO +100C
HUMIDITY 0-95% NO CONDENSATION
SHOCK 15 Gs MIN. FOR 11 MS.
VIBRATION 55-500 Hz AT 5 Gs

MODEL #	LPC224FML23
DATE	8/18/95
DESIGNED BY	AMZ
APPROVED BY	AMZ
DATE	8/18/95
APPROVED BY	AMZ
DATE	8/18/95
APPROVED BY	AMZ

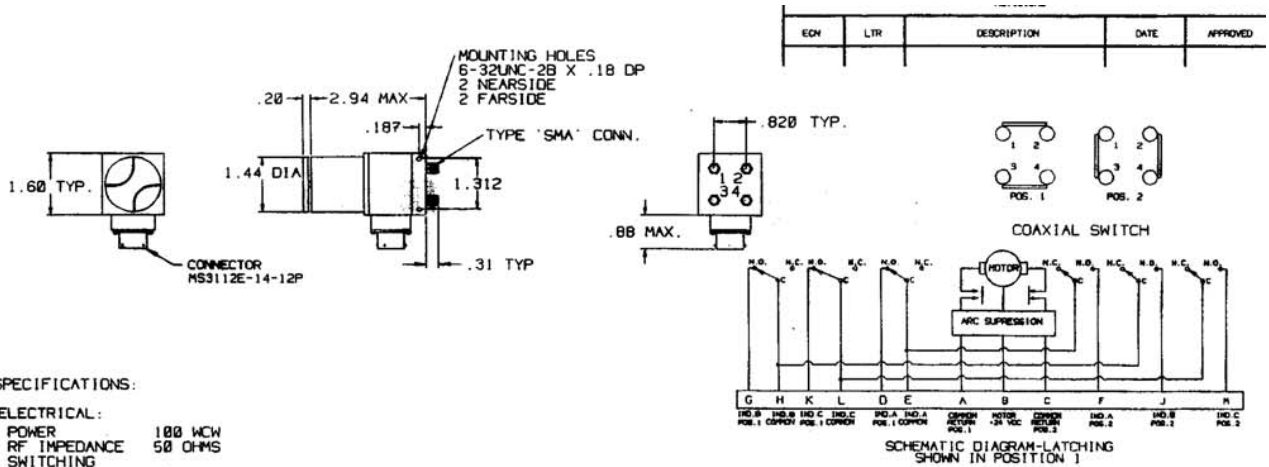
LOGUS MICROWAVE

COAXIAL SWITCH, DPOT.
0.820" TYPE "SMA"
LATCHING, 20 VDC, KNOB

B 09080 B 6816-1

SCALE UNIT WT SHEET 1 OF 1

1 MC224FMI 23



SPECIFICATIONS:

ELECTRICAL:
 POWER 100 W
 RF IMPEDANCE 50 OHMS
 SWITCHING TIME MAX. 60 MS
 BREAK BEFORE MAKE 24 VDC + OR - 10%
 VOLTAGE 1.5 AMPS MAX. @ 20 DEG. C.
 CURRENT

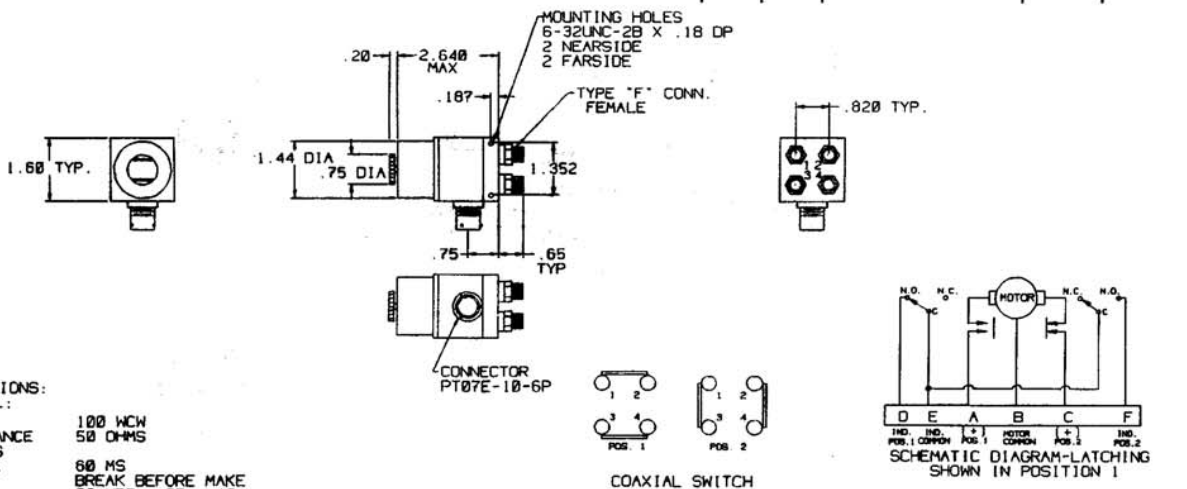
MECHANICAL:
 MATERIAL ALUMINUM (RF ASSY.) CONN. SHELL CRES.
 FINISH IRIDIUM PER MIL-C-5541
 PAINT DULL BLACK ENAMEL
 LIFE 1,000,000 CYCLES

ENVIRONMENTAL:
 TEMPERATURE OPERATIVE -10C TO +71C
 NON-OPERATIVE -55C TO +100C
 HUMIDITY 0-95% NO CONDENSATION
 SHOCK 15 G MIN. FOR 11 MS.
 VIBRATION 55-500 Hz AT 5 G

FREQUENCY	VSWR-MAX.	INSERTION LOSS MAX.	ISOLATION MIN.
0-1.0 GHz	< 1.05	< .05	80 db
1.0-2.0 GHz	1.10	.1	70 db
2.0-6.5 GHz	1.20	.25	60 db
6.5-8.4 GHz	1.20	.25	60 db
8.4-11.0 GHz	1.25	.35/.40	60 db
11.0-14.0 GHz	1.25	.40	60 db
14.0-18.0 GHz	1.33	.50	60 db

ALL DIMENSIONS SPECIFIED UNLESS OTHERWISE NOTED	MODEL # LMC224FML7C4	
TOLERANCES	DRAWN 9/11/95 LIZ	
DECIMAL FRACTIONS	CHECKED	
PLACES - 1/16 - 1/32 - 1/64	APPROVED	
PLACES - .001 - .002 - .005	APPROVED	COAXIAL SWITCH, DPDT, TYPE "SMA", LATCHING, 3 SETS INDICATORS, KNOB
ANGLES 1/2 DEG.	APPROVED	
MATERIAL:		
NEXT ASSY USED ON		B 09080 B 9842-1
APPLICATION		SCALE UNIT WT SHEET OF

REVISIONS				
EDN	LTR	DESCRIPTION	DATE	APPROVED



SPECIFICATIONS:

ELECTRICAL:
 POWER 100 W
 RF IMPEDANCE 50 OHMS
 SWITCHING TIME MAX. 60 MS
 BREAK BEFORE MAKE 28 VDC + OR - 10%
 VOLTAGE 1.0 AMP MAX. @ 20 DEG. C.
 CURRENT

MECHANICAL:
 MATERIAL ALUMINUM (RF ASSY.) CONN. SHELL CRES.
 FINISH IRIDIUM PER MIL-C-5541
 PAINT DULL BLACK ENAMEL
 LIFE 1,000,000 CYCLES

ENVIRONMENTAL:
 TEMPERATURE OPERATIVE -10C TO +71C
 NON-OPERATIVE -55C TO +100C
 HUMIDITY 0-95% NO CONDENSATION
 SHOCK 15 G MIN. FOR 11 MS.
 VIBRATION 55-500 Hz AT 5 G

FREQUENCY	VSWR-MAX.	INSERTION LOSS MAX.	ISOLATION MIN.
.75-2.0 GHz	1.15:1	.10	80 db

ALL DIMENSIONS SPECIFIED UNLESS OTHERWISE NOTED	MODEL # LMC224FFL23	
TOLERANCES	DRAWN 4/11/95 LIZ	
DECIMAL FRACTIONS	CHECKED 4/11/95 M.E.	
PLACES - 1/16 - 1/32 - 1/64	APPROVED	
PLACES - .001 - .002 - .005	APPROVED	SWITCH, COAXIAL, 2P2T, 0.820", TYPE "F", LATCHING, 28 VDC, KNOB
ANGLES 1/2 DEG.	APPROVED	
MATERIAL:		
NEXT ASSY USED ON		09080 B 9590-1
APPLICATION		SCALE NONE UNIT WT SHEET OF 1

REVISIONS				
EDN	LTR	DESCRIPTION	DATE	APPROVED