

SUNSTAR

SS0911-9

SS0911-9

8 DIGITS CALCULATOR CLOCK with 12 Prefixed Rates Euro Currency Converter

FEATURES

- 1.5V battery operation with very low power consumption
- Real time clock
Hour, minute and second display. 12/24 hour display format selectable
- Daily alarm
Setting of alarm time is in hour and minute
- Calendar
A calendar with Month, Date, day of week
- 8 digit calculator
Perform 4 basic arithmetic functions : Addition, Subtraction, Multiplication and Division with single memory
- 12 prefixed rates Euro currency conversion selected by bonding options
- De-bounce circuit on switch inputs
- Protection against static discharge

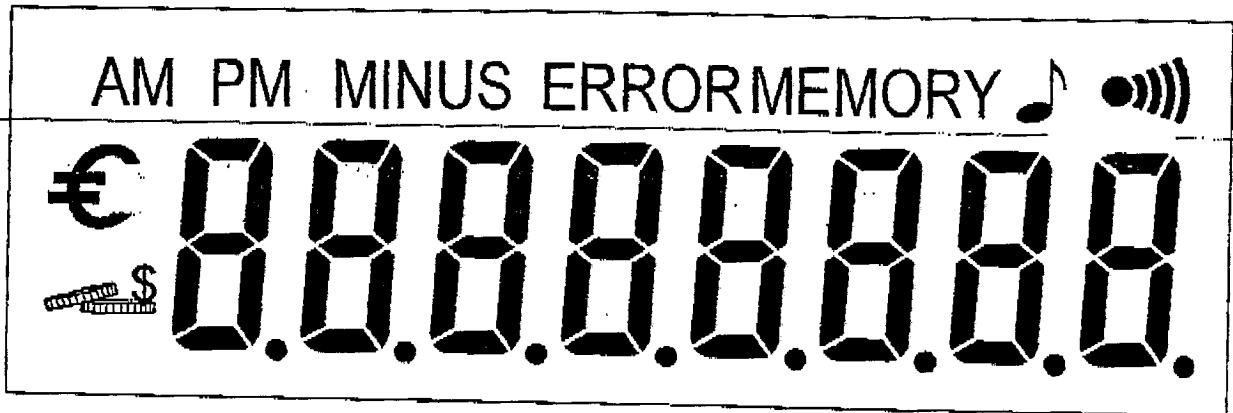
DESCRIPTIONS

The SS0911-9 is a single chip CMOS 8-digit calculator clock with Euro Currency Conversion feature. It is specially designed for LCD operation with 1.5V power supply, Low power dissipation and low system cost. So it makes the SE3004 suitable for desktop and pocket application.

SUNSTAR

SS0911-9

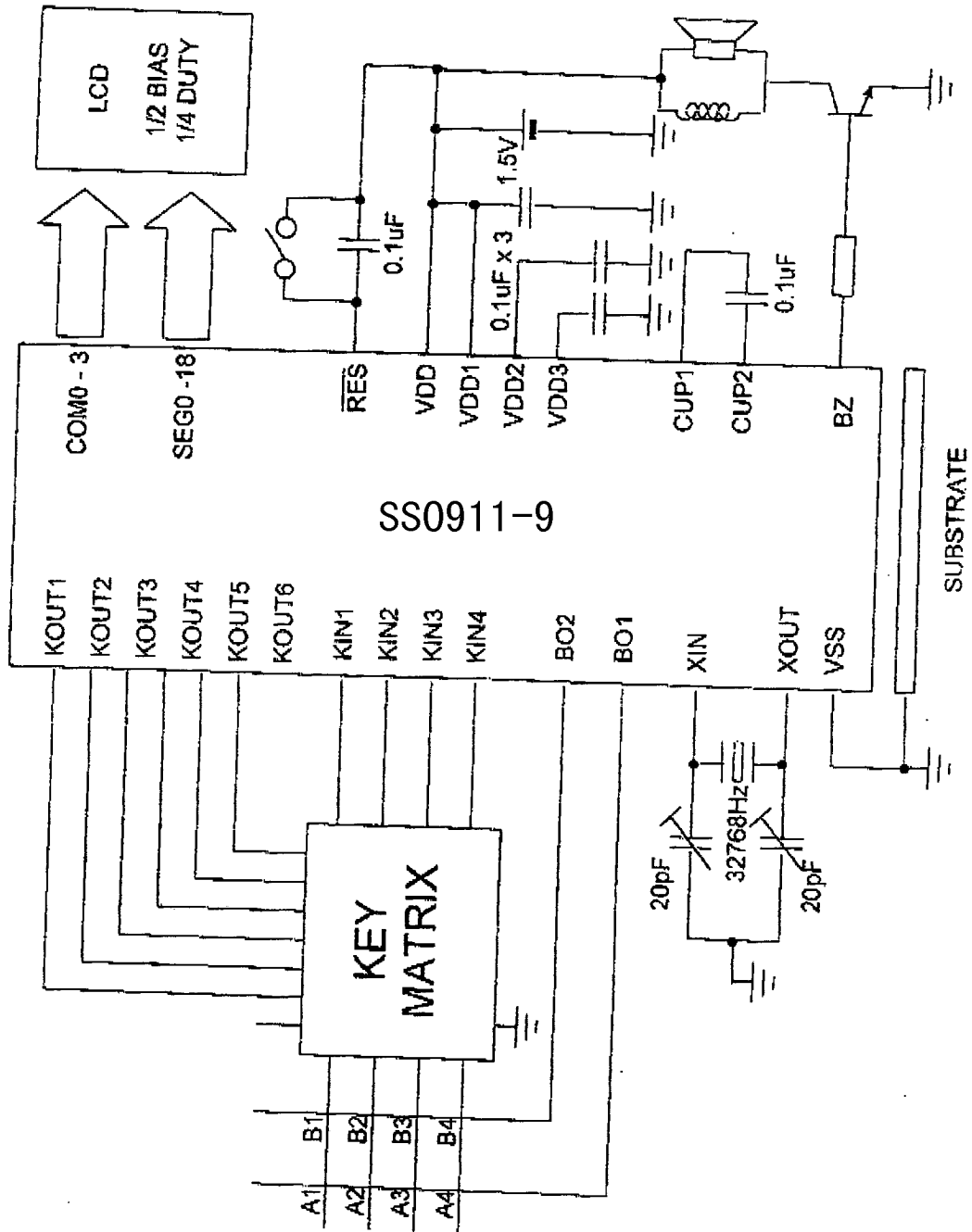
LCD LAYOUT



LCD CHARACTERISTICS REQUIREMENT

Parameters	Symbol	Min	Typ.	Max	Unit
Operating Voltage	Vop		4.5		V
Duty			1/4		
Bias			1/3		

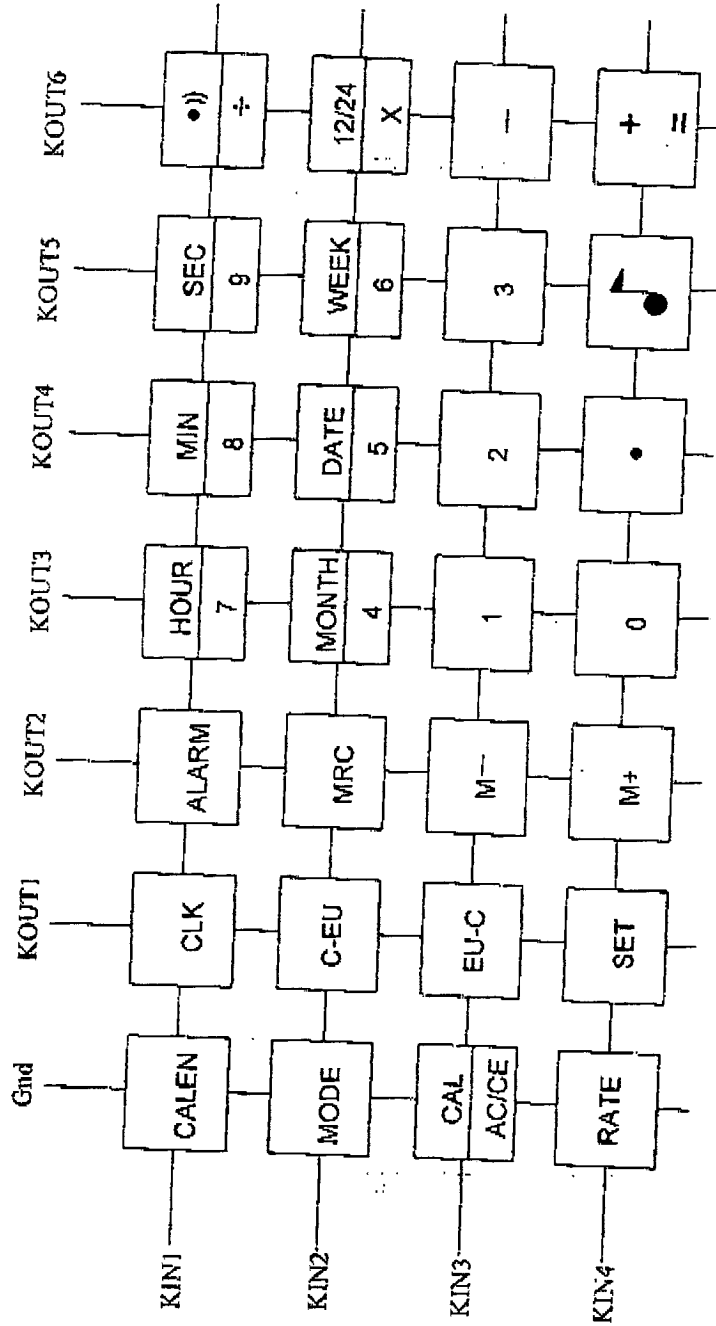
APPLICATION CIRCUIT



SUNSTAR

SS0911-9

KEYPADS



SUNSTAR

SS0911-9

● **CURRENCY EXCHANGE OPERATION**

The Currency Conversion portion includes the following four keys :

- [C-EU] Convert the specific currency to the EURO currency
- [EU-C] Convert the EURO currency to the specific currency
- [SET] Set the RATE as the displayed operand
- [RATE] Display the current RATE

● **OPERATION EXAMPLES :**

To set the RATE (1 EURO = 3.22 User preset currency)

1. Key in 3.22 (LCD display : 3.22)
2. Push SET key (LCD display : 3.22, C and EURO)

To calculate 3.45 EURO = ? DEM (It should be 6.7476135)

1. Key in 3.45 (LCD display : 3.45)
2. Push "EU-C" key (LCD display : 6.75, and C) < auto roundup >

To calculate 20 DEM = ? EURO (It should be 10.225837 EURO)

1. Key in 20 (LCD display : 20)
2. Push "C-EU" key (LCD display : 10.23, and EURO) < auto roundup >

To check the Rate :

1. Push AC key to clear data (LCD display : 0)
2. Push "C-EU" or "EU-C" key (LCD display : 1.95583, C and EURO)

SUNSTAR

SS0911-9

● **SELECT THE PRESET RATE**

The PRESET RATE can be selected by bonding option.

CURRENCY	PRESET RATE	A1	A2	A3	A4	B1	B2	B3	B4
DEM	1.95583	1	0	0	0	1	0	0	0
BEF	40.3399	1	0	0	0	0	1	0	0
LEF	40.3399	1	0	0	0	0	0	1	0
ESP	166.386	1	0	0	0	0	0	0	1
FRF	6.55957	0	1	0	0	1	0	0	0
IEP	0.787564	0	1	0	0	0	1	0	0
ITL	1936.27	0	1	0	0	0	0	1	0
NLG	2.20371	0	1	0	0	0	0	0	1
ATS	13.7603	0	0	1	0	1	0	0	0
PTE	200.482	0	0	1	0	0	1	0	0
FIM	5.94573	0	0	1	0	0	0	1	0
** UNITY	1	0	0	0	0	0	0	0	0

Note : 0 = OPEN , 1 = CLOSE

** Currency exchange without 2 decimal point roundup.

● **BACK TO DEFAULT RATE**

The user can reset the rate to the preset value by pressing SET key during rate checking.

SUNSTAR

SS0911-9

at Ta = 25°C, VDD = 1.5V

Parameters	Symbol	Min	Max	Unit
Maximum Supply Voltage	V _{DD}	-0.3	+7.0	V
Maximum Input Voltage	V _{in}	-0.3	VDD	V
Maximum Output Voltage	V _{out}	-0.3	VDD	V
Maximum Operating Temperature	T _{opg}	0	70	°C
Maximum Storage Temperature	T _{stg}	-55	150	°C

ELECTRICAL CHARACTERISTICS

at Ta = 25°C, VDD = 1.5V

Parameters	Symbol	Min	Typ.	Max	Unit
Operating Voltage	VDD	1.2	1.5	1.8	V
Operating Current	I _d		4	12	μA
Standby Current	I _{st}		4	6	μA
LCD Supply Voltage	V _{lcd}		3		V
LCD Frame Frequency	F _{lcd}		32		Hz
Operating Frequency	F _{opg}		32.768		kHz

欢迎索取免费详细资料、设计选型指南和光盘、样品；产品繁多未能尽录，欢迎来电查询。

[中国传感器科技信息网：HTTP://WWW.SENSOR-IC.COM/](http://WWW.SENSOR-IC.COM/)

[工控安防网：HTTP://WWW.PC-PS.NET/](http://WWW.PC-PS.NET/)

[消费电子专用电路网：HTTP://WWW.SUNSTARE.COM/](http://WWW.SUNSTARE.COM/)

E-MAIL：xjr5@163.com szss20@163.com

MSN：suns8888@hotmail.com

QQ: 195847376

地址：深圳市福田区福华路福庆街鸿图大厦 1602 室

电话：0755-83376549 83376489 83387030 83387016

传真：0755-83376182 83338339 邮编：518033 手机：(0)13902971329

深圳展销部：深圳华强北路赛格电子市场 2583 号 TEL/FAX：
0755-83665529 25059422

北京分公司：北京海淀区知春路 132 号中发电子大厦 3097 号

TEL：010-81159046 82615020 13501189838 FAX：010-82613476

上海分公司：上海市北京东路 668 号上海赛格电子市场 2B35 号

TEL：021-28311762 56703037 13701955389 FAX：021-56703037

西安分公司：西安高新开发区 20 所(中国电子科技集团导航技术研究所)
西安劳动南路 88 号电子商城二楼 D23 号

TEL：029-81022619 13072977981 FAX:029-88789382

成都：TEL:(0)13717066236

技术支持：0755-83394033 13501568376