

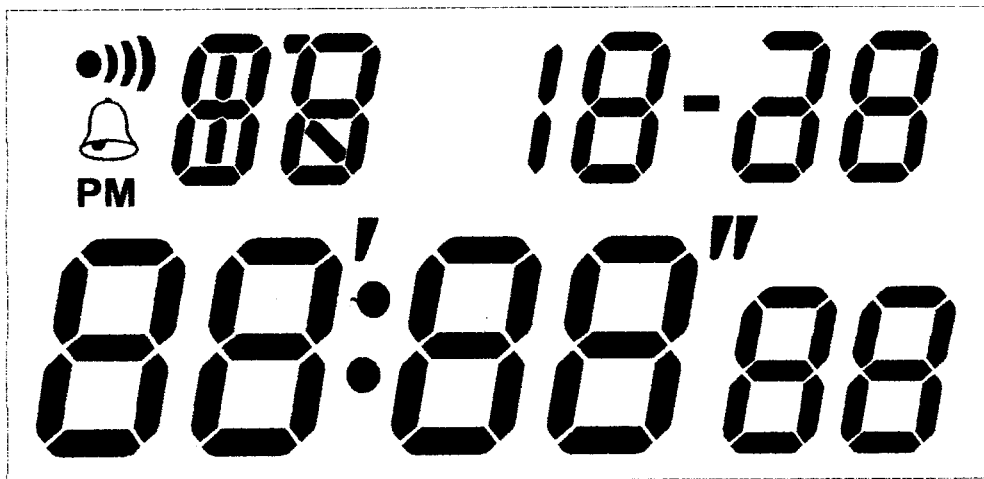
## 12Digit LCD Watch with EL Drive

### 1. GENERAL FEATURES

#### 1.1 FEATURES

- A. Clock with Month, Day, Hour, Minute, Second, Weekday
- B. Alarm & Hourly Chime
- C. Sport Timer (1/100 Sec)
- D. 3V Lithium Battery Operation
- E. Very Low Power Operation
- F. Built in EL drive

#### 1.2 LCD PATTERN



LIGHT

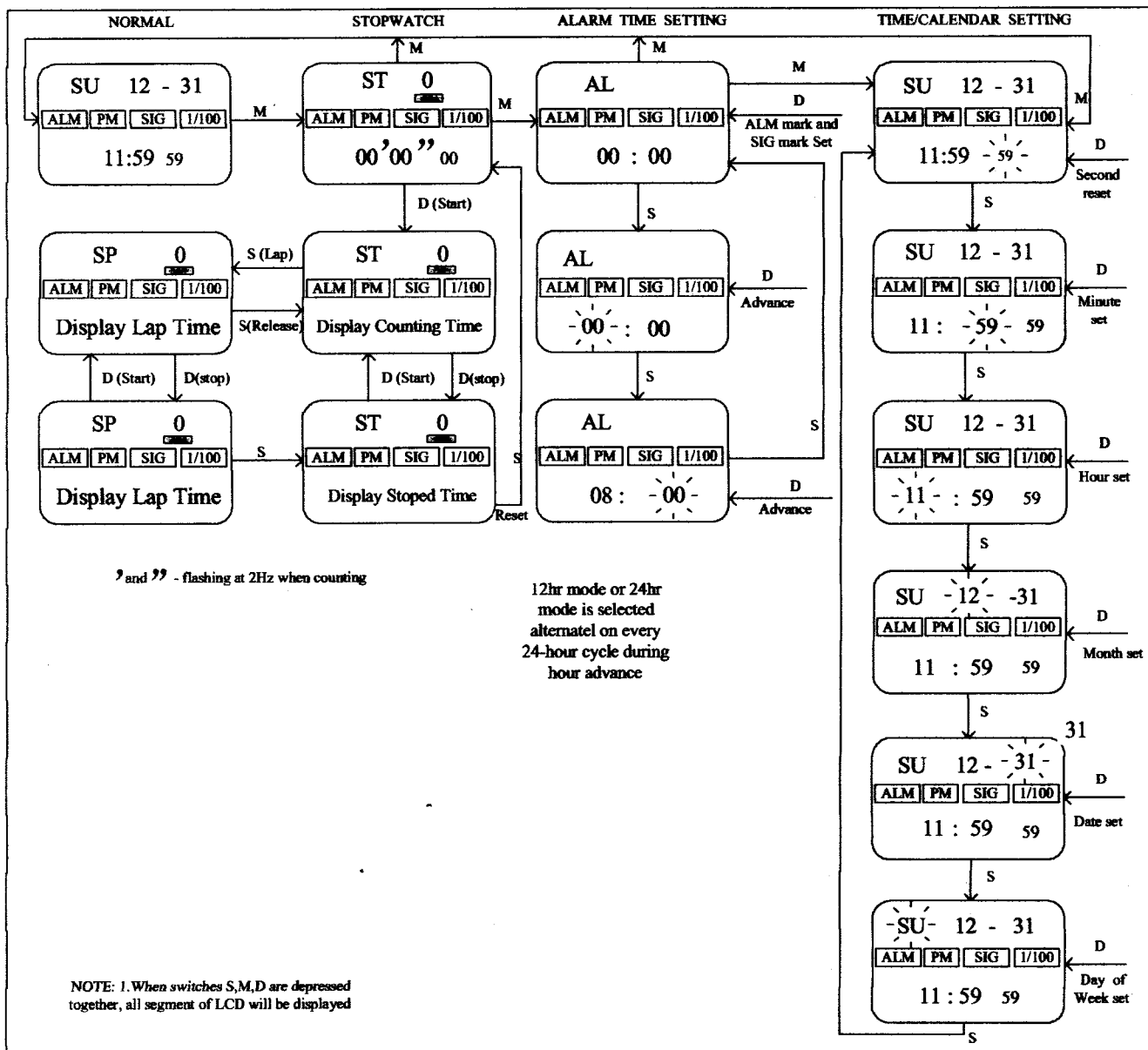
MODE

SET

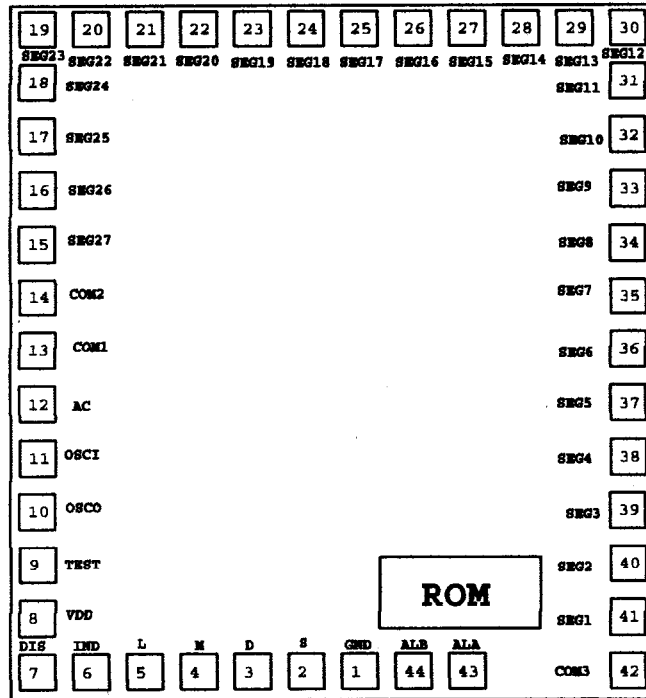
ADJUST

## 12 Digit LCD Watch with EL Drive

### SETTING SEQUENCE AND SWITCH OPERATION



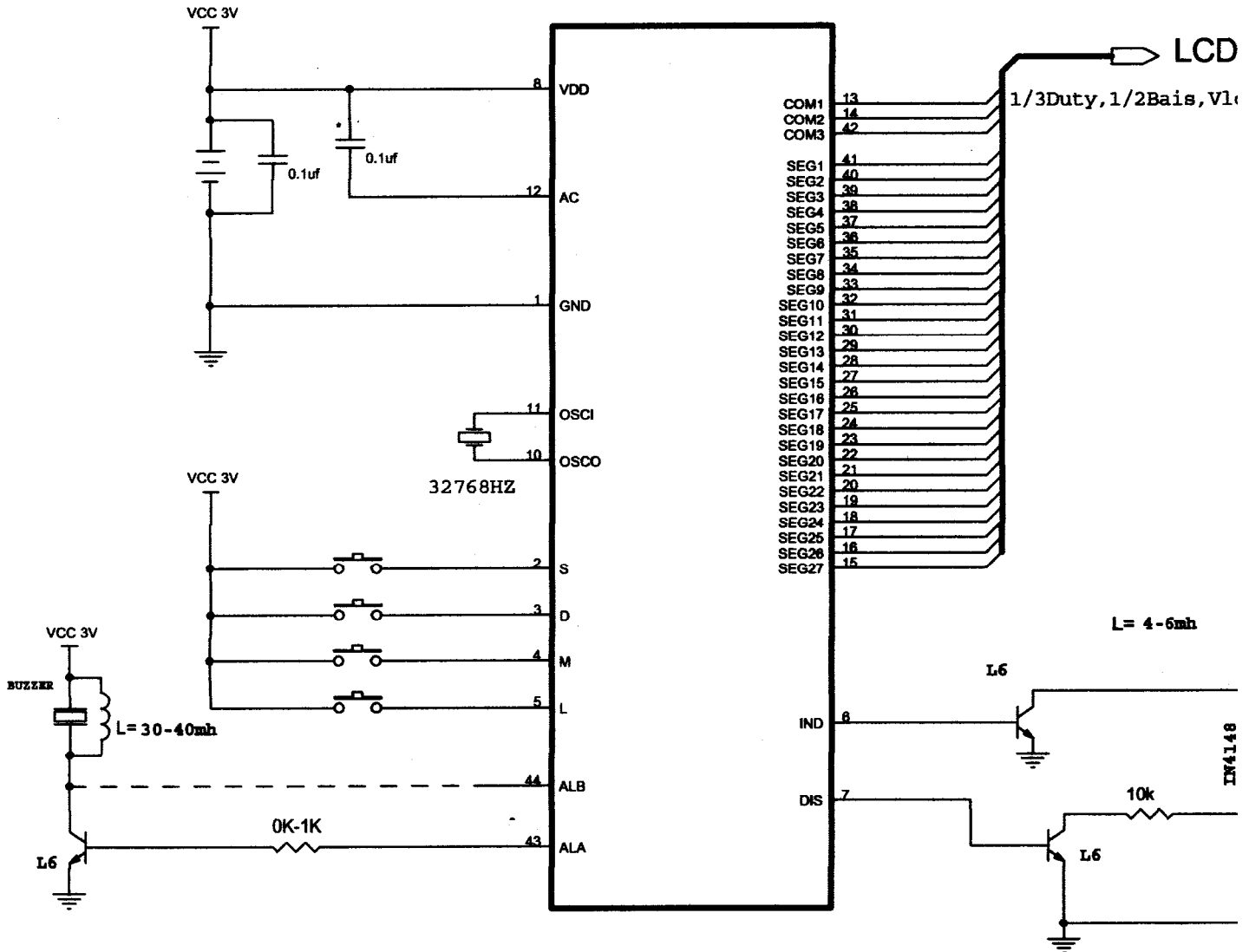
IC PAD 位置图:



| NO | NAME  | X    | Y    | NO | NAME  | X    | Y   |
|----|-------|------|------|----|-------|------|-----|
| 1  | GND   | 720  | 66   | 27 | SEG15 | -720 | 300 |
| 2  | S     | 720  | -54  | 28 | SEG14 | -720 | 420 |
| 3  | D     | 720  | -174 | 29 | SEG13 | -720 | 540 |
| 4  | M     | 720  | -294 | 30 | SEG12 | -720 | 660 |
| 5  | L     | 720  | -414 | 31 | SEG11 | -600 | 660 |
| 6  | IND   | 720  | -534 | 32 | SEG10 | -480 | 660 |
| 7  | DIS   | 720  | -660 | 33 | SEG9  | -360 | 660 |
| 8  | VDD   | 595  | -660 | 34 | SEG8  | -240 | 660 |
| 9  | TEST  | 480  | -660 | 35 | SEG7  | -120 | 660 |
| 10 | OSCO  | 360  | -660 | 36 | SEG6  | 0    | 660 |
| 11 | OSCI  | 240  | -660 | 37 | SEG5  | 120  | 660 |
| 12 | AC    | 120  | -660 | 38 | SEG4  | 240  | 660 |
| 13 | COM1  | 0    | -660 | 39 | SEG3  | 360  | 660 |
| 14 | COM2  | -120 | -660 | 40 | SEG2  | 480  | 660 |
| 15 | SEG27 | -240 | -660 | 41 | SEG1  | 600  | 660 |
| 16 | SEG26 | -360 | -660 | 42 | COM3  | 720  | 660 |
| 17 | SEG25 | -480 | -660 | 43 | ALA   | 720  | 321 |
| 18 | SEG24 | -600 | -660 | 44 | ALB   | 713  | 193 |
| 19 | SEG23 | -720 | -660 |    |       |      |     |
| 20 | SEG22 | -720 | -540 |    |       |      |     |
| 21 | SEG21 | -720 | -420 |    |       |      |     |
| 22 | SEG20 | -720 | -300 |    |       |      |     |
| 23 | SEG19 | -720 | -180 |    |       |      |     |
| 24 | SEG18 | -720 | -60  |    |       |      |     |
| 25 | SEG17 | -720 | 60   |    |       |      |     |
| 26 | SEG16 | -720 | 180  |    |       |      |     |

**NOTE:** The chip substrate should be isolated or connected to VDD!

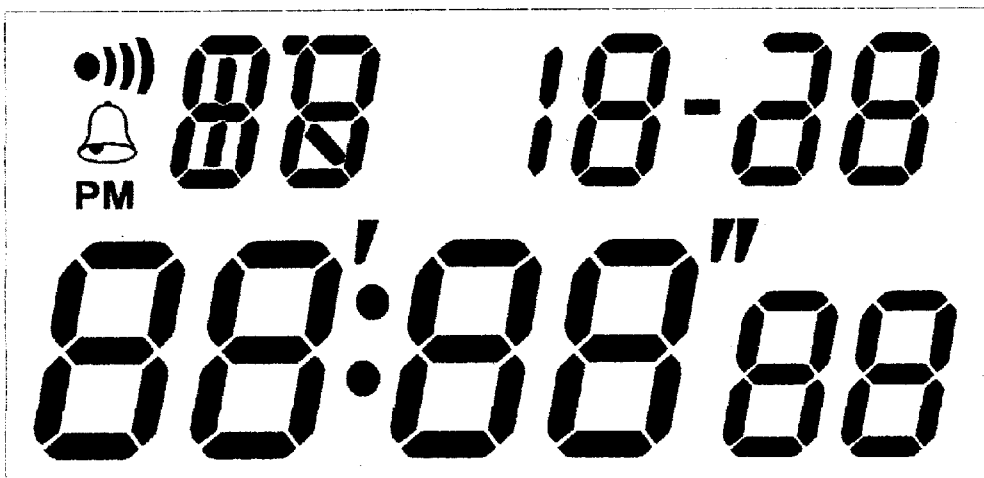
**参考电路图:**



**注**

- (1): 图纸上标\*号元件, 不可省掉!
- (2): 建议晶振阻抗选用 (25-30) K 欧!
- (3): 蜂鸣输出可选择 ALA 输出或者 ALB 输出, 两者选其一! 当使用 ALB 输出时, 要使用 SMT 电感, 线绕电感, 磁珠电感等小体积电感时, 建议在此电感旁并连 103P 电容, 建议画 PCB 时, 预留位置可作选择!
- (4): 建议分别在 IND.DIS 与 L6 基极串联电阻 (1K-5K), 可改变EL输出功耗! 建议画 PCB 时, 预留位置可作选择; 调整 EL 电感的电感量和内阻可调节 EL 亮度!

## 12 Digit LCD Watch with EL Drive



1/3 Duty, 1/2 Bias, VLCD 3V

