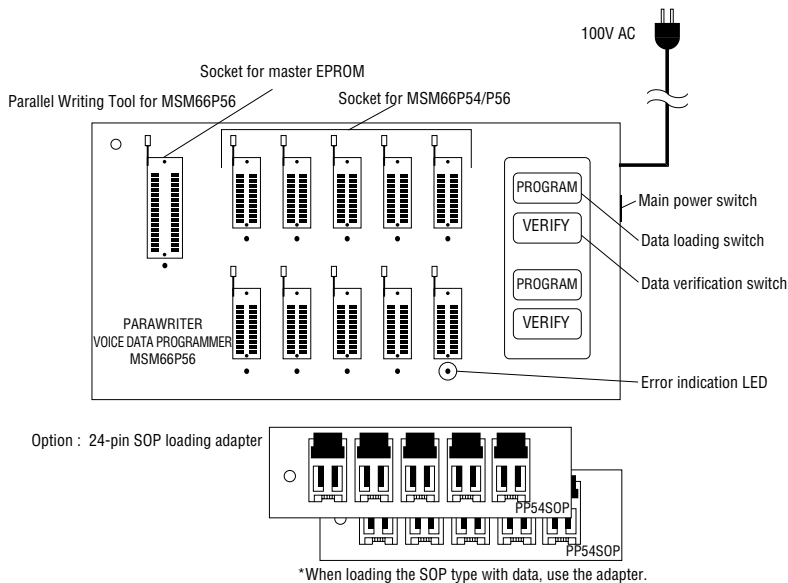


PARAWRITER P56

Parallel Writing Tool for MSM66P54/MSM66P56

BOARD DESIGN



GENERAL DESCRIPTION

This unit loads (1 to 10) MSM66P54/P56 devices with data for master EPROM (1 M, 2M, 4M) created by a voice analysis and editing tool (AR203/AR204).

DATA WRITING

When loading the SOP type, set the SOP adapter set as an option. (The adapter is not needed for the DIP type.)

Turn on the main power switch. (A short beep sounds.)

Set the master EPROM.

Insert the MSM66P54 or MSM66P56

Pressing the data loading switch starts blank checking, followed by data loading and verification. During this operation, the error indication LED is lit.

VERIFICATION

In the same way as for data loading, insert the master EPROM and the MSM66P54 or MSM66P56, and press the verification switch.

ERROR

Upon the normal termination of loading and verification, the LED goes out with short beeps. If a device error has occurred, however, the LED blinks with beeps.

When devices for only part of the five sockets are loaded, error sound is generated as no devices are set at sockets, and the LEDs for the sockets blink. If the LEDs for the sockets where devices are set are extinguished, loading has been completed successfully.

NOTICE

1. The information contained herein can change without notice owing to product and/or technical improvements. Before using the product, please make sure that the information being referred to is up-to-date.
2. The outline of action and examples for application circuits described herein have been chosen as an explanation for the standard action and performance of the product. When planning to use the product, please ensure that the external conditions are reflected in the actual circuit, assembly, and program designs.
3. When designing your product, please use our product below the specified maximum ratings and within the specified operating ranges including, but not limited to, operating voltage, power dissipation, and operating temperature.
4. Oki assumes no responsibility or liability whatsoever for any failure or unusual or unexpected operation resulting from misuse, neglect, improper installation, repair, alteration or accident, improper handling, or unusual physical or electrical stress including, but not limited to, exposure to parameters beyond the specified maximum ratings or operation outside the specified operating range.
5. Neither indemnity against nor license of a third party's industrial and intellectual property right, etc. is granted by us in connection with the use of the product and/or the information and drawings contained herein. No responsibility is assumed by us for any infringement of a third party's right which may result from the use thereof.
6. The products listed in this document are intended for use in general electronics equipment for commercial applications (e.g., office automation, communication equipment, measurement equipment, consumer electronics, etc.). These products are not authorized for use in any system or application that requires special or enhanced quality and reliability characteristics nor in any system or application where the failure of such system or application may result in the loss or damage of property, or death or injury to humans. Such applications include, but are not limited to, traffic and automotive equipment, safety devices, aerospace equipment, nuclear power control, medical equipment, and life-support systems.
7. Certain products in this document may need government approval before they can be exported to particular countries. The purchaser assumes the responsibility of determining the legality of export of these products and will take appropriate and necessary steps at their own expense for these.
8. No part of the contents contained herein may be reprinted or reproduced without our prior permission.
9. MS-DOS is a registered trademark of Microsoft Corporation.

Copyright 1999 Oki Electric Industry Co., Ltd.