

# OKI electronic components

## OL595N-20/P20, OL595N-40/P20, OL595N-60/P20

### 1.55 $\mu\text{m}$ High-Power Laser-Diode Coaxial Module

#### GENERAL DESCRIPTION

The OL595N-20/P20, OL595N-40/P20, and OL595N-60/P20 are extremely high-power MQW structured 1.55  $\mu\text{m}$  laser-diode coaxial modules with single-mode fiber pigtails. These modules are optimal light sources for optical measuring instruments and other systems that require high power.

#### FEATURES

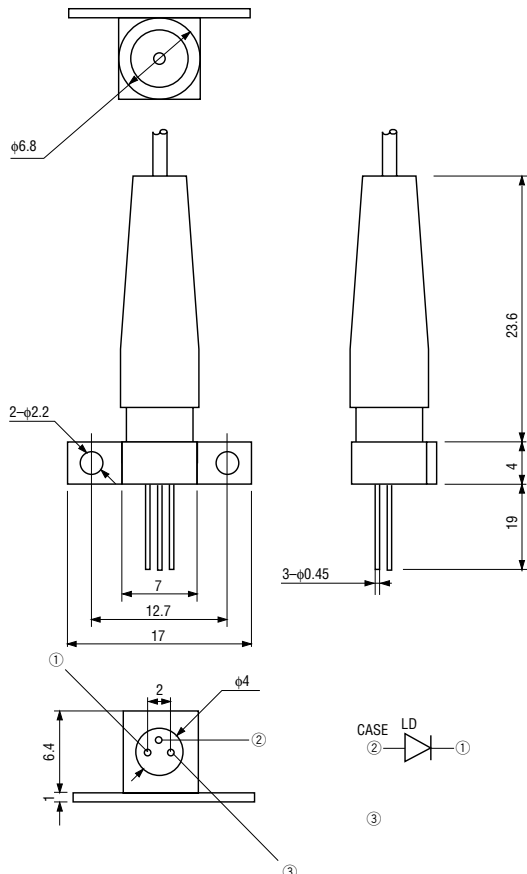
- High output power: Pf=20 mW (Pulse), 40 mW (Pulse), 60 mW (Pulse)
- Single-mode fiber
- Multi-quantum-well (MQW) structure

#### APPLICATIONS

- Optical measuring instruments
- OTDRs

#### PACKAGE DIMENSIONS (Unit: mm)

- OL595N-20/P20, OL595N-40/P20, OL595N-60/P20



**ABSOLUTE MAXIMUM RATINGS**

Parameter	Symbol	Test Conditions	Ratings		Unit
Fiber Output Power	Pf	Ta=25°C	OL595N-20/P20	30	mW
			OL595N-40/P20	48	
			OL595N-60/P20	70	
LD Reverse Voltage	V <sub>R</sub> (LD)		2		V
Operating Temperature	T <sub>opr</sub>	—	-20 to +60		°C
Storage Temperature	T <sub>stg</sub>	—	-40 to +85		°C

**OPTICAL AND ELECTRICAL CHARACTERISTICS**

Parameter	Symbol	Test Conditions	Min.	Typ.	Max.	Unit
Threshold Current	I <sub>th</sub>	—	—	—	75	mA
Center Wavelength	λ <sub>c</sub>	—	1530	1550	1570	nm
Spectral Width	σ	RMS	—	—	10	nm

**Optical Output Power (Pf)**

Model	Test Conditions	Min.	Typ.	Max.	Unit
OL595N-20/P20	I <sub>F</sub> =500 mA (Pulse*)	20	—	—	mW
OL595N-40/P20	I <sub>F</sub> =750 mA (Pulse*)	40	—	—	mW
OL595N-60/P20	I <sub>F</sub> =800 mA (Pulse*)	60	—	—	mW

\*Pulse Condition : Width 10 μs, duty ratio : 1%

**TYPICAL CHARACTERISTIC**

● OL595N-60/P20

**Fiber Output Power vs. Forward Current**

