

SUNSTAR商斯达实业集团是集研发、生产、工程、销售、代理经销、技术咨询、信息服务等为一体的高科技企业，是专业高科技电子产品生产厂家，是具有 10 多年历史的专业电子元器件供应商，是中国最早和最大的仓储式连锁规模经营大型综合电子零部件代理分销商之一，是一家专业代理和分销世界各大品牌 IC 芯片和电子元器件的连锁经营综合性国际公司。在香港、北京、深圳、上海、西安、成都等全国主要电子市场设有直属分公司和产品展示展销窗口门市部专卖店及代理分销商，已在全国范围内建成强大统一的供货和代理分销网络。我们专业代理经销、开发生产电子元器件、集成电路、传感器、微波光电元器件、工控机/DOC/DOM 电子盘、专用电路、单片机开发、MCU/DSP/ARM/FPGA 软件硬件、二极管、三极管、模块等，是您可靠的一站式现货配套供应商、方案提供商、部件功能模块开发配套商。专业以现代信息产业（计算机、通讯及传感器）三大支柱之一的传感器为主营业务，专业经营各类传感器的代理、销售生产、网络信息、科技图书资料及配套产品设计、工程开发。我们的专业网站——**中国传感器科技信息网（全球传感器数据库）www.SENSOR-IC.COM** 服务于全球高科技生产商及贸易商，为企业科技产品开发提供技术交流平台。欢迎各厂商互通有无、交换信息、交换链接、发布寻求代理信息。欢迎国外高科技传感器、变送器、执行器、自动控制产品厂商介绍产品到 中国，共同开拓市场。本网站是关于各种传感器-变送器-仪器仪表及工业自动化大型专业网站，深入到工业控制、系统工程计 测量、自动化、安防报警、消费电子等众多领域，把最新的传感器-变送器-仪器仪表买卖信息，最新技术供求，最新采购商，行业动态，发展方向，最新的技术应用和市场资讯及时的传递给广大科技开发、科学研究、产品设计人员。本网站已成功为石油、化工、电力、医药、生物、航空、航天、国防、能源、冶金、电子、工业、农业、交通、汽车、矿山、煤炭、纺织、信息、通信、IT、安防、环保、印刷、科研、气象、仪器仪表等领域从事科学研究、产品设计、开发、生产制造的科技人员、管理人员、和采购人员提供满意服务。**我公司专业生产、代理、经销、销售各种传感器、变送器、敏感元器件、开关、执行器、仪器仪表、自动化控制系统：专门从事设计、生产、销售各种传感器、变送器、各种测控仪表、热工仪表、现场控制器、计算机控制系统、数据采集系统、各类环境监控系统、专用控制系统应用软件以及嵌入式系统开发及应用等工作。如热敏电阻、压敏电阻、温度传感器、温度变送器、湿度传感器、湿度变送器、气体传感器、气体变送器、压力传感器、压力变送、称重传感器、物（液）位传感器、物（液）位变送器、流量传感器、流量变送器、电流（压）传感器、溶氧传感器、霍尔传感器、图像传感器、超声波传感器、位移传感器、速度传感器、加速度传感器、扭距传感器、红外传感器、紫外传感器、火焰传感器、激光传感器、振动传感器、轴角传感器、光电传感器、接近传感器、干簧管传感器、继电器传感器、微型电泵、磁敏（阻）传感器、压力开关、接近开关、光电开关、色标传感器、光纤传感器、齿轮测速传感器、时间继电器、计数器、计米器、温控仪、固态继电器、调压模块、电磁铁、电压表、电流表等特殊传感器。同时承接传感器应用电路、产品设计和自动化工程项目。**

欢迎索取免费详细资料、设计指南和光盘；产品凡多，未能尽录，欢迎来电查询。

更多产品请看本公司产品专用销售网站：

商斯达中国传感器科技信息网：<http://www.sensor-ic.com/>

商斯达工控安防网：<http://www.pc-ps.net/>

商斯达电子元器件网：<http://www.sunstare.com/>

商斯达微波光电产品网：[HTTP://www.rfoe.net/](http://www.rfoe.net/)

商斯达消费电子产品网：<http://www.icasic.com/>

商斯达军工产品网：<http://www.junpinic.com/>

商斯达实业科技产品网：<http://www.sunstars.cn/> 传感器销售热线：

地址：深圳市福田区福华路福庆街鸿图大厦 1602 室

电话：0755-83607652 83376489 83376549 83370250 83370251 82500323

传真：0755-83376182 (0) 13902971329 MSN: SUNS888@hotmail.com

邮编：518033 E-mail: szss20@163.com QQ: 195847376

深圳赛格展销部：深圳华强北路赛格电子市场 2583 号 电话：0755-83665529

技术支持：0755-83394033 13501568376



NEMOTO & CO.,LTD

1-15-1, Kamiogi, Suginami-ku, Tokyo 167-0043, Japan
Tel. 81-3-3392-7181 Fax. 81-3-3392-7188
e-mail : intsales@nemoto.co.jp

(April 23, 2001)

USER'S MANUAL

HOT-WIRE TYPE GAS SENSOR NAP-100A SERIES (NET10A(R))

(For All Combustible Gases)

1. General

Being designed for light industrial applications, NAP-100A series also available as NET10A(R), rank A, B, C, D, E selected, can be widely used for gas concentration monitoring and gas leakage detection in plants and other industrial premises, and three different types are provided for user's selection. NAP-100AD is housed in a sintered metal cap to have perfect dust proof and high temperature resistance. NAP-100AM is housed in a mesh cap for explosion resistance, and NAP-100AC is housed in a brass cap but to be used with a separate explosion proof housing.

All types show excellent output linearity to gas concentration up to L.E.L. as well as superior reproducibility and durability.

2. Features of NAP-100A

- * Excellent output linearity to gas concentration.
- * Superior reproducibility and stability of output signals
- * Endurable to high temperature (<200°C, NAP-100AD).
- * Distinguished durability to corrosion gases.
- * Low current consumption makes circuit design easy.
- * Excellent long-term stability.

3. Applications

- * Gas leakage detectors in plans and industrial areas.
- * For distinguishing gasoline from diesel oil at gas stand.
- * Gas detectors in gas cylinder refilling facilities.



NEMOTO & CO.,LTD

1-15-1, Kamiogi, Suginami-ku, Tokyo 167-0043, Japan
 Tel. 81-3-3392-7181 Fax. 81-3-3392-7188
 e-mail : intsales@nemoto.co.jp

4. How to use

NAP-100AD can be directly connected to a circuit of measuring or detecting apparatus with the 4 lead wires (two for power supply and two for signal output), and zero point adjustment is done, then the unit is ready to work. This sensor is hardly affected by wind and does not need an additional temperature compensation circuit for operation under high temperature conditions. Please refer to the recommended circuit included in this manual.

NAP-100AM is smaller sized and easy to handle, and suitable for light industrial gas detectors. This sensor can be assembled in a gas detector with as the same manner as for residential gas detectors.

NAP-100AC is also smaller sized and easy to handle, but being not explosion resistant, this sensor should be housed in an explosion proof cap provided by user.

Please note the following remarks upon usage.

- * Preparatory aging for at least 10 minutes is required before zero point adjustment.
- * Do not drop or give a shock to sensor.
- * Assembling sensor in a detector and zero point adjustment should be done in a clean air condition.
- * Evaluation tests of gas sensitivity and alarm concentration characteristic should be done using the equipment described later in this manual.

5. Specifications

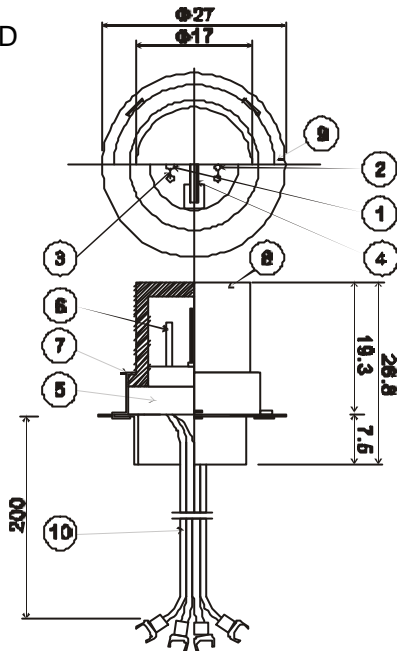
Model	NAP-100AD	NAP-100AC	NAP-100AM
Objective gases	Combustible gases		
Measuring range	1 ~ 100 %LEL		
Supply voltage	2.6 +/- 0.13 V		
Current consumption	170 ~ 180 mA		
Operational Temp. & Humidity	-30 ~ +250°C, Less than 95 %RH	-30 ~ +50°C, Less than 95 %RH	
Temp. & Humidity in storage	-30 ~ +60°C, Less than 95 %RH		
Gas sensitivity (CH ₄ 0.3%)	22mV or more	11 mV or more	24 mV or more
90% response speed	Within 10 seconds	Within 20 seconds	Within 10 seconds
Reproducibility to gas concentration within a day	Within +/- 1 mV	Within +/- 0.5 mV	Within +/- 1 mV
Gas sensitivity stability	Within +/- 2 mV/month	Within +/- 1 mV/month	Within +/- 2 mV/month
Zero point stability	Within +/- 1 mV/month		



NEMOTO & CO.,LTD

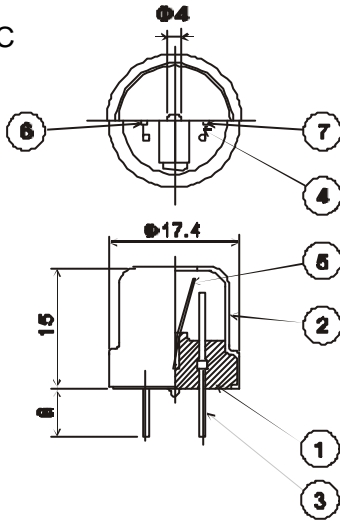
1-15-1, Kamiogi, Suginami-ku, Tokyo 167-0043, Japan
 Tel. 81-3-3392-7181 Fax. 81-3-3392-7188
 e-mail : intsales@nemoto.co.jp

6. Structure
 NAP-100AD



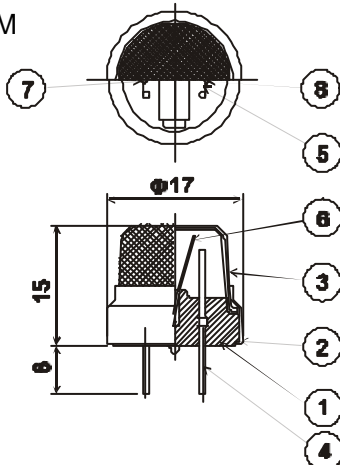
No.	Part name	Material	Remarks
1	Sensor		
2	Compensator		
3	Filament coil	PT	0.03 mm dia.
4	Partition	SUS 304CSP	t = 0.1
5	Mount base	Alumina	
6	Pins	Pure Ni	0.8 mm dia.
7	Strainer	SUS-304	t = 0.3
8	Filter	SUS-316	
9	Fixer	SUS-304	t = 0.5
10	Lead wire	UL3266 FRPE	

NAP-100AC



No.	Part name	Material	Remarks
1	Mount base	PM-EE	
2	Cap	C2680R-0	
3	Pins	Pure Ni	0.8 mm dia.
4	Filament coil	PT	0.03 mm dia.
5	Partition	SUS 304CSP	t = 0.1
6	Sensor		
7	Compensator		

NAP-100AM



No.	Part name	Material	Remarks
1	Mount base	PM-EE	
2	Skirt	C2680R-0Ni	
3	Mesh	SUS-316	100 mesh
4	Pins	Pure Ni	0.8 mm dia.
5	Filament coil	PT	0.03 mm dia.
6	Partition	SUS 304CSP	t = 0.1
7	Sensor		
8	Compensator		



NEMOTO & CO.,LTD

1-15-1, Kamiogi, Suginami-ku, Tokyo 167-0043, Japan
Tel. 81-3-3392-7181 Fax. 81-3-3392-7188
e-mail : intsales@nemoto.co.jp

7. Relative sensitivity to gases

NAP-100A series sensors are sensitive to all combustible gases but gas sensitivity characteristics are different depending on gases. The following list shows the relative sensitivity to various combustible gases. The figures shown were obtained by our tests using the recommended circuits described later in this manual.

Combustible gases		L.E.L. (%)	% L.E.L. relative sensitivity		
			NAP-100AD	NAP-100AC	NAP-100AM
Methane	CH ₄	5.0	100	100	100
Propane	C ₃ H ₈	2.2	75	70	80
iso-Butane	C ₄ H ₁₀	1.8	75	65	80
n-Pentane	C ₅ H ₁₂	1.4	80	65	80
n-Hexane	C ₆ H ₁₄	1.2	75	65	75
n-Heptane	C ₇ H ₁₆	1.05	65	55	65
iso-Octane	C ₈ H ₁₈	0.95	60	50	60
Methanol	CH ₃ OH	6.7	125	110	130
Ethanol	C ₂ H ₅ OH	3.3	95	80	95
iso-Propanol	C ₃ H ₇ OH	2.2	80	70	80
Acetone	(CH ₃) ₂ CO	2.6	85	75	85
Toluene	C ₆ H ₅ CH ₃	1.2	65	55	70
Ethyl acetate	CH ₃ COOC ₂ H ₅	2.2	70	65	75
Hydrogen	H ₂	4.0	110	95	125
Ammonia	NH ₃	15.0	150	160	150
Cyclohexane	C ₆ H ₁₂	1.3	75	65	75
Acetylene	C ₂ H ₂	2.5	40	40	35
Ethylene	C ₂ H ₄	2.7	90	75	95

The above table can be used for quick reference as below.

(Example); When 50% LEL ethanol is measured by apparatus calibrated with 0 - 100% methane, the following conversion is made from the table.

$$(95 \times 50) / 100 = 47.5\% \text{ LEL (Methane scale)}$$

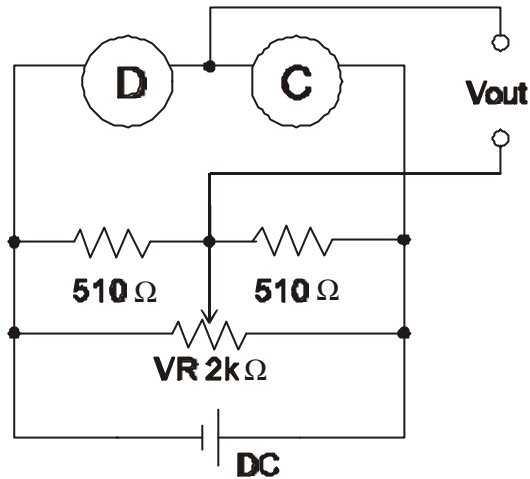


NEMOTO & CO.,LTD

1-15-1, Kamiogi, Suginami-ku, Tokyo 167-0043, Japan
Tel. 81-3-3392-7181 Fax. 81-3-3392-7188
e-mail : intsales@nemoto.co.jp

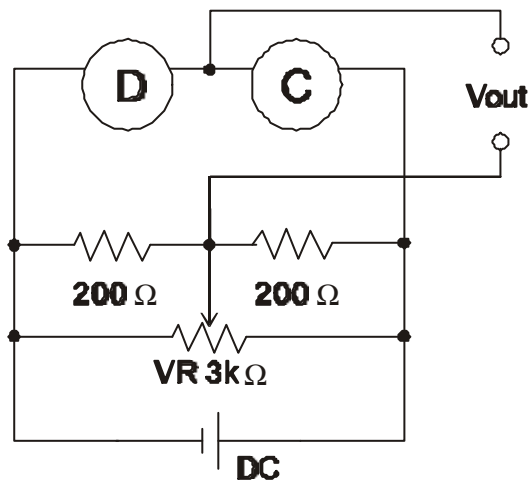
8. Recommended circuits

* Circuit for NAP-100AC and 100AM



For fixed and variable resistors in this circuit = Metal covered resistors are preferable.

* Circuit for NAP-100AD & ADP



For fixed and variable resistors in this circuit = Metal covered resistors are preferable.
Especially the resistor of 510Ω should be of high quality with a tolerance +/- 1% or less.

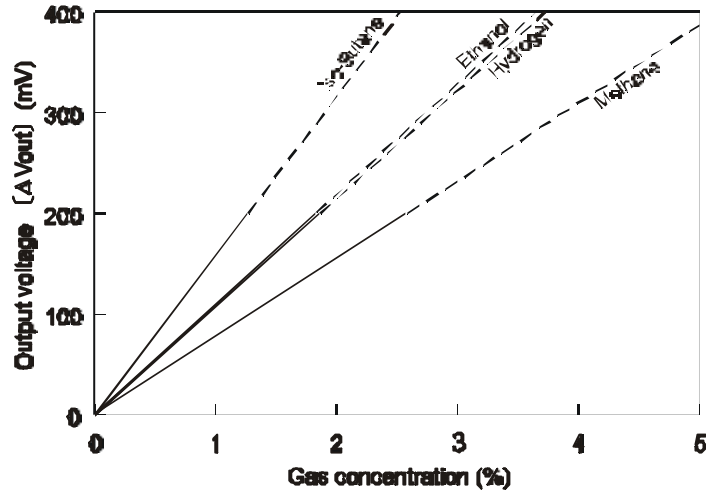


NEMOTO & CO.,LTD

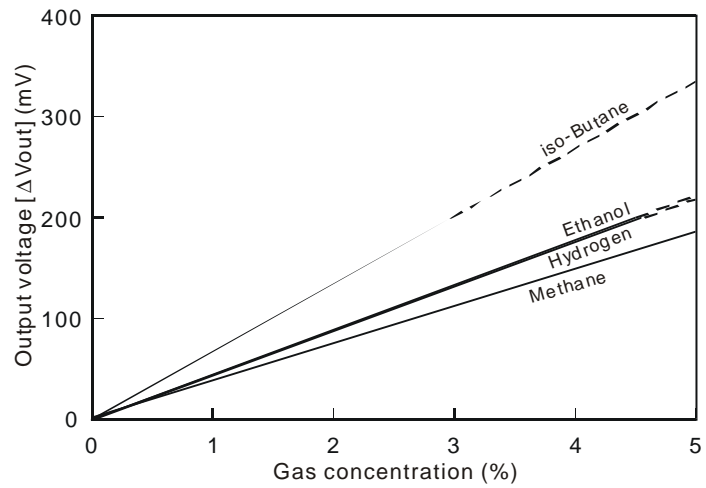
1-15-1, Kamiogi, Suginami-ku, Tokyo 167-0043, Japan
Tel. 81-3-3392-7181 Fax. 81-3-3392-7188
e-mail : intsales@nemoto.co.jp

9. Typical gas sensitivity characteristics

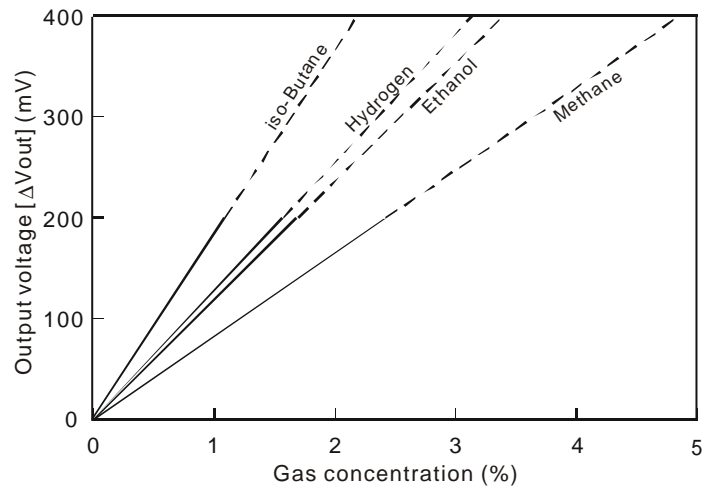
NAP-100AD



NAP-100AC



NAP-100AM



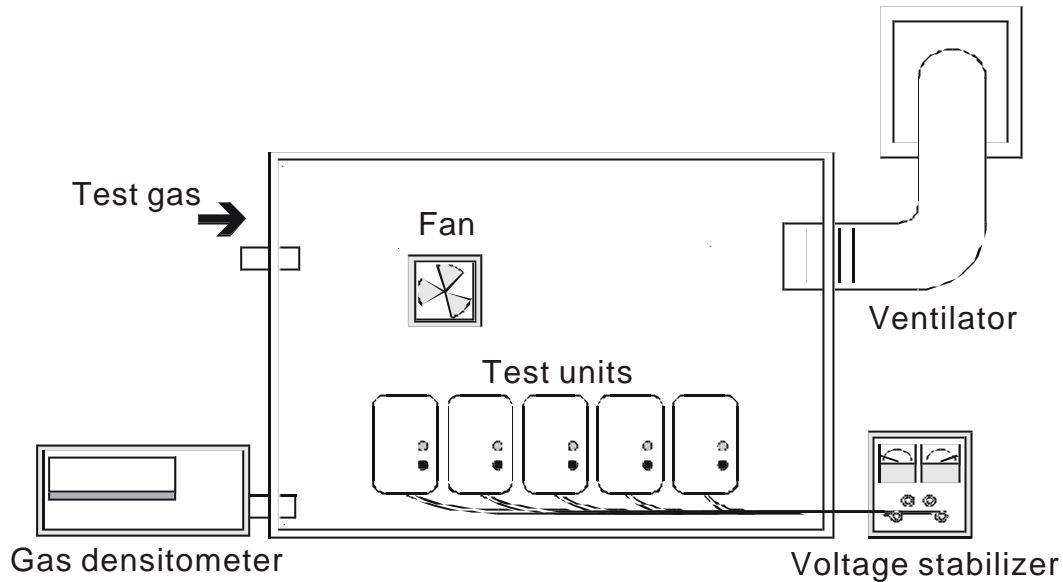


NEMOTO & CO.,LTD

1-15-1, Kamiogi, Suginami-ku, Tokyo 167-0043, Japan
Tel. 81-3-3392-7181 Fax. 81-3-3392-7188
e-mail : intsales@nemoto.co.jp

10. Evaluation method on NAP-100A series sensors

(1) The following is an outline of a test system.



Remarks:

a) Test chamber ;

- * Metal, glass or acrylic plate which does not generate or absorb gases is desirable as test chamber material.
- * The volume of the chamber should be larger than 100 liters.

b) Atmosphere ;

- * Tests are to be carried out in a clean air condition. Organic solvents, combustible gases, and dusts may cause an inaccurate test result.

c) Gas densitometer ;

- * An optical or infrared gas densitometer is recommended for measuring gas concentration.

d) Air agitation ;

- * The air inside the chamber should be agitated, but not so as to directly blow on the sensors. Air flow nearby the test samples should be less than 0.5m/sec.



NEMOTO & CO.,LTD

1-15-1, Kamiogi, Suginami-ku, Tokyo 167-0043, Japan
Tel. 81-3-3392-7181 Fax. 81-3-3392-7188
e-mail : intsales@nemoto.co.jp

e) Power supply ;

- * The most adequate power source for the test units is to be provided, but for optimal measurement accuracy, use of a voltage stabilizer is recommended.

f) Ventilation ;

- * Before proceeding with a subsequent test, the air inside the test chamber should be ventilated using a ventilator which has a capacity of more than 10 times the volume of the chamber per minute.

(2) Adjustment of gas concentration

Gas concentration in a test chamber is usually adjusted by a volumetric method. For instance, in order to get 1,500ppm of iso-butane gas concentration, the quantity of iso-butane gas to be injected using a syringe will be calculated according to the following formula.

$$V_{(ml)} = V_i \times 1500 \times 10^{-6} \times \frac{273 + T_r}{273 + T_c}$$

V_i ; Inside volume of a chamber (ml)

T_r ; Room temperature ($^{\circ}\text{C}$)

T_c ; Temperature inside a chamber ($^{\circ}\text{C}$)

(3) Measurement

a) Preparatory aging;

- * Before measurement, test samples should be supplied with the specified voltage at least for more than 5 minutes.

b) Measurement;

- * After preparatory aging a test gas is gradually injected into the test chamber. In case of the volumetric method, an adequate injection speed would be around 10ppm/Second.
After a test is completed, the air inside the chamber should be thoroughly ventilated.