

ABSOLUTE TYPE

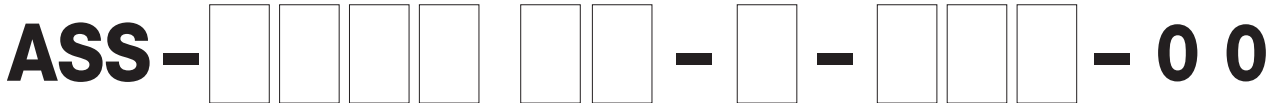
ASS_{Model}



Rugged Absolute Type

- 10mm Dia Shaft for Very Rugged Structure Application.
- Dust-Resistance & Water-Resistance (IP64).

Model



Resolution

Output code

Supply Voltage

Cable Length

Output Mode

- L : DC4.5 ~ 13.2V
- 24 : DC21.6 ~ 26.4V

- 050 : 500mm
- 100 : 1000mm
- 300 : 3000mm

No Indication : Voltage Output

C : Open Collector Output

B : BCD Code Negative Logic

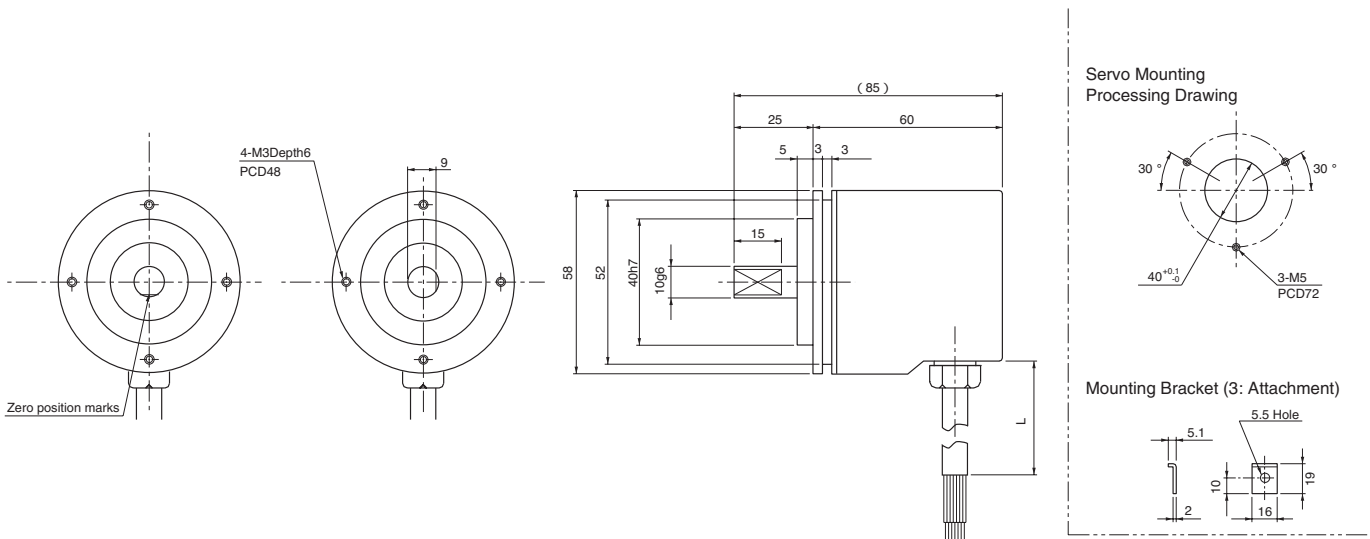
G : Grey Code Negative Logic

| | |
|------|---------------------|
| 256 | 8bit (256) G only |
| 360 | 10bit (360) B only |
| 1024 | 10bit (1024) G only |

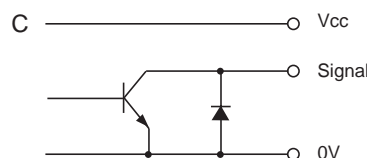
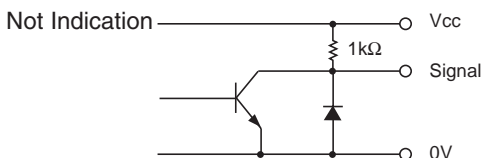
Due to unavailable combination of specifications, Please make sure with sales Reps of the model name.

WWW.SHSSD.COM

External Dimension



Input & Output Current



Electrical Spec.

| TYPE | | Voltage Output | C |
|---|--------|----------------------------------|-------------|
| Supply Voltage | | DC 4.5 ~ 13.2 V、DC21.6 ~ 26.4V | |
| Requirement | | 100 mA Max | |
| Output Voltage | "H" | Within - 1 power volt(Exclude C) | |
| | "L" ※1 | 0.5 V Max | |
| Maximum Output Current | | 35 mA MAX | |
| Rise & Fall Time | | 2 μs Max | |
| Maximum Frequency Response ² | | 10kHz(256,360) | 20kHz(1024) |

※1) at Maximum Output Current ※2) When The Lording is 5V 1K

Electrical Connections

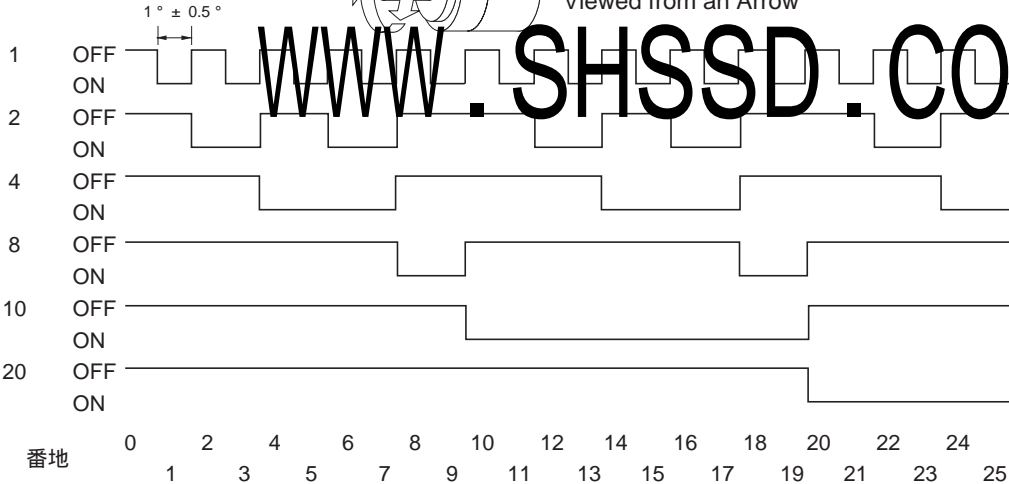
| G(256·1024) | Color of Lead Wire | Description |
|-------------|--------------------|-----------------------------|
| | Red | Power Souce |
| | Black | OV Common |
| | Brown | Signal 2 ⁰ |
| | Brown-White | Signal 2 ¹ |
| | Orange | Signal 2 ² |
| | Orange-White | Signal 2 ³ |
| | Yellow | Signal 2 ⁰ × 10 |
| | Yellow-White | Signal 2 ¹ × 10 |
| | Green | Signal 2 ² × 10 |
| | Green-White | Signal 2 ³ × 100 |
| | Blue | Signal 2 ⁰ × 100 |
| | Blue-White | Signal 2 ¹ × 100 |
| | Shielding Braid | NC |

| B(360) | Color of Lead Wire | Description |
|--------|--------------------|---|
| | Red | Power Souce |
| | Black | OV Common |
| | Brown | Signal 2 ⁰ |
| | Brown-White | Signal 2 ¹ |
| | Orange | Signal 2 ² |
| | Orange-White | Signal 2 ³ |
| | Yellow | Signal 2 ⁴ |
| | Yellow-White | Signal 2 ⁵ |
| | Green | Signal 2 ⁶ |
| | Green-White | Signal 2 ⁷ |
| | Blue | Signal 2 ⁸ Only available for 1024 split type |
| | Blue-White | Signal 2 ⁹ Only available for 1024 split type |
| | Shielding Braid | NC |

Wave Form.

(Extract)

BCD Code



Mechanical Spec.

| | | |
|-----------------------|--|-------|
| Starting Torque | 9.8×10 ⁻³ N · m Max | |
| Angular Acceleration | 1×10 ⁵ rad/s ² | |
| Shaft Loading | Thrust axial | 29.4N |
| | Radial | 98.0N |
| Moment of Inertia | 3.2×10 ⁻⁶ kg · m ² | |
| Maximum RPM | 5000r/min | |
| Net Weight(W/O Cable) | 340g Max | |

Environmental Spec.

| | |
|-----------------------|---|
| Operating Temperature | -10°C ~ +70°C |
| Storage Temperature | -25°C ~ +80°C |
| Humidity | RH 85% Max No Condensation |
| Vibration | 10 ~ 55 Hz / 1.5mm 2 h |
| Shock | 196m/s ² ,6ms X, Y, Z Each 3 times |
| Degree of Protection | IP65 |