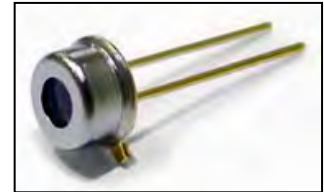


GUVV-T10GD



TECHNICAL DATA

UV-A Sensor

Features

- Indium Gallium Nitride Based Material
- Schottky-type Photodiode
- Photovoltaic Mode Operation
- High Responsivity & Low Dark Current

Applications

- Full UV Band Monitoring
- UV-A Lamp Monitoring
- Sterilization Lamp Monitoring

Absolute Maximum Ratings

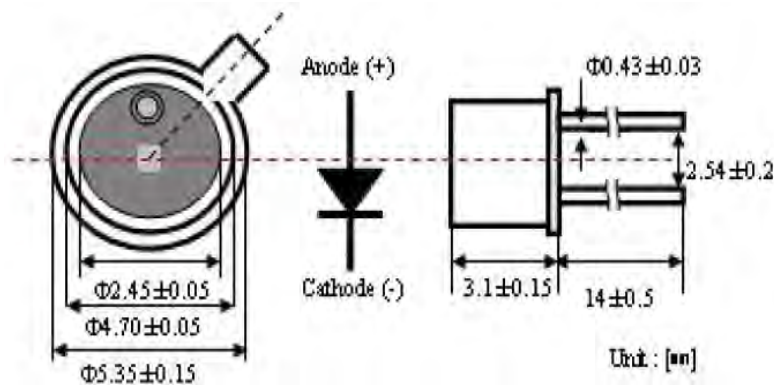
Item	Symbol	Value	Unit
Forward Current	I_F	1	mA
Reverse Voltage	V_R	2	V
Operating Temperature	T_{op}	-30 ... +85	°C
Storage Temperature	T_{st}	-40 ... +90	°C
Soldering Temperature *	T_{sol}	260	°C

* must be completed within 10 seconds

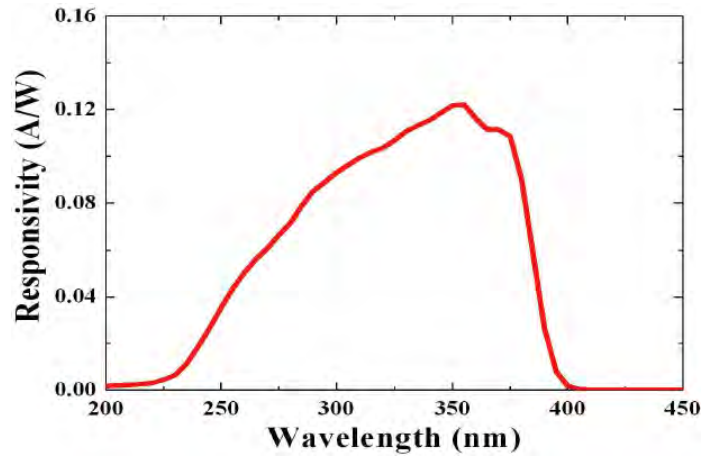
Characteristics (25°C)

Item	Symbol	Test Conditions	Min.	Typ.	Max.	Unit
Dark Current	I_D	$V_R = 0.1 V$	-	-	1	nA
Photo Current	I_{PD}	UVA Lamp, 1 mW/cm ²	-	163	-	nA
Temperature Coefficient	I_{TC}	UVA Lamp	-	0.1	-	% / °C
Responsivity	R	$\lambda = 350 \text{ nm}, V_R = 0 V$	-	0.12	-	A/W
Spectral Detection Range	λ	10% of R	230	-	395	nm

Package Dimension



Responsivity Curve



Photocurrent along UV Power

