

EE10-T

HVAC Temperature Transmitter for Indoor Applications

EE10 room transmitters are the ideal solution for indoor applications such as HVAC in residential and official buildings. The very stylish, functional housing makes possible easy installation and fast exchange of the sensing unit for service purposes.

The temperature output signal can be active or passive.

For on site display of the measured values the EE10 with active temperature output can be equipped with an easily readable display.

Two different housing designs ensure professional appearance according to regional standards.



EE10-T

Typical Applications

building management for residential and office areas
 switching cabinets
 climate control in hotels and museums

Features

excellent price / performance ratio
 easiest installation
 modern design
 optional display

Technical Data

Measuring Quantities

Temperature (active output)

Analogue output 0...50°C (32...122°F) ¹⁾	0-10 V	-1 mA < I _L < 1mA
	4-20 mA (two wires)	R _L < (U _r -10)/0.02 < 500 Ohm

Accuracy at 20°C (68°F)	±0.3°C (±0.54°F)
-------------------------	------------------

Temperature (passive output)

Type of T-Sensor	please see ordering guide
------------------	---------------------------

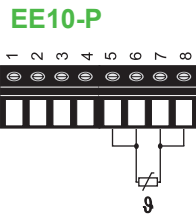
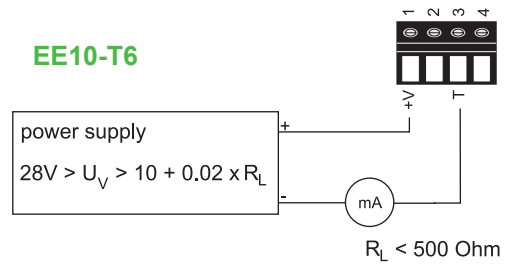
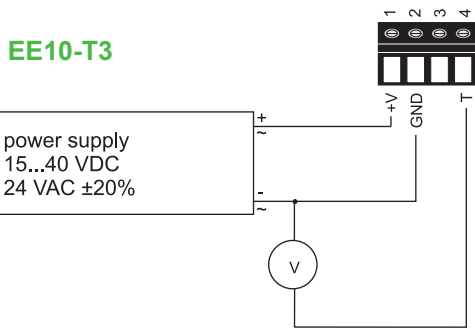
General Data

Voltage supply (U _r)	
for 0 - 10 V	15 - 40 VDC or 24 VAC ±20%
for 4 - 20 mA	28V DC > U _r > 10 + 0.02 x R _L (R _L < 500 Ohm)
Current consumption	
for DC supply:	typical 4 mA
for AC supply:	typical 15 mA _{eff}
Electrical connection	Screw terminals max. 1.5 mm ² (AWG 16)
Housing material	Polycarbonat
	US Version: UL94V-0 approved / EU Version: UL94HB approved
Protection class	PC / IP30
Display	only for EE10-Tx version: temperature
CE compatibility according	EN61326-1 FCC Part15 ClassB
	EN61326-2-3 ICES-003 ClassB
Temperature ranges	Working temperature range: -5...55°C (23...131°F)
	Storage temperature range: -25...60°C (-13...140°F)

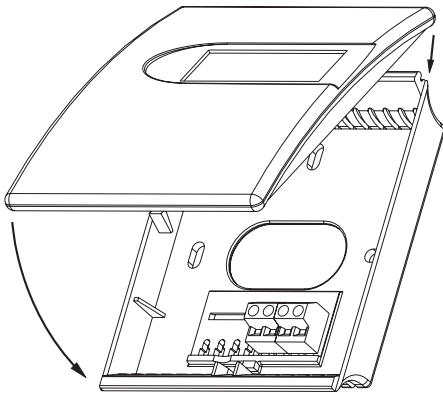


1) Other T-scalins refer to data sheet "T-Scalings"

Connection Diagram



Dimensions



Housing colour: cover: RAL 9003 (signal white)
back: RAL 7035 (light grey)

EU: W x H x D = 85 x 100 x 26mm (3.3 x 3.9 x 1")
US: W x H x D = 85 x 136 x 26mm (3.3 x 5.4 x 1")

Ordering Guide

Order Example

MODEL	OUTPUT	DISPLAY	HOUSING	T-UNIT	T-SCALE ¹⁾
temperature active (T)	0 - 10 V (3)	without display (--)	Europa (--)	°C (--)	0...50 (T04)
	4 - 20 mA (6)	with display (D04)	USA (US)	°F (E01)	-5...55 (T31)
					0...40 (T55)
					20...120 (T15)
					32...122 (T76)
					32...132 (T96)
EE10-					

1) andere Abbildungsbereiche auf Anfrage

MODEL	T-SENSOR
temperature passive (P)	Pt 100 DIN A (A)
	Pt 1000 DIN A (C)
	Pt 1000 DIN B (D)
EE10-	

EE10-T6-D04-T04

Model: temperature transmitter
Output: 4-20mA
Display: with display
T-Unit: °C
T-scale: 0...50°C (32...122°F)