

HSL EMIRS Series

IR Sources for broad range Gas Analysis



LEISTER Microsystems

Features:

- Thermal black body source
- Wide wavelength range (2-16 μm)
- Fast electrical modulation
- High modulation depth
- No moving parts
- Low power consumption
- Long term stable output

Applications:

- Infrared gas detection & monitoring (e.g. CO, CO₂, NO_x, SO_x, anaesthetics)
- Photoacoustic gas detection
- Calibration sources

The IRSource is a micro-machined electrically modulated thermal infrared emitter with a compact package, no mechanical moving parts and a long lifetime.

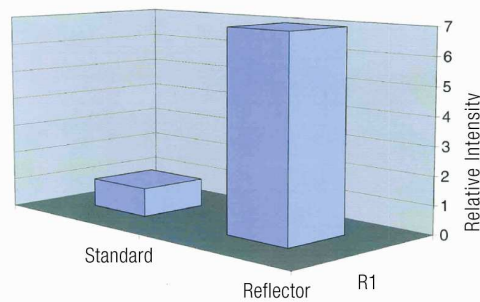
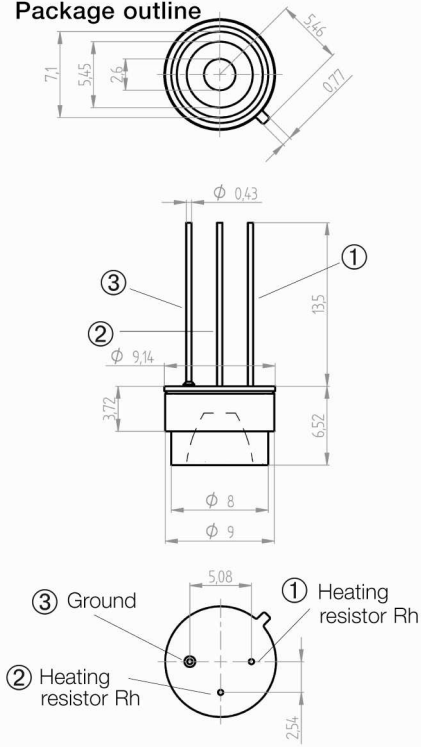
The IRSource is based on a resistive heating element, integrated on a thin dielectric membrane. The low thermal mass permits a fast direct electrical modulation of the IR radiation.

Latest technology allows to manufacture highly reliable modulated IR sources with true black body characteristics and very high emissivity. This results in low power consumption and long life time with constant emission characteristics.

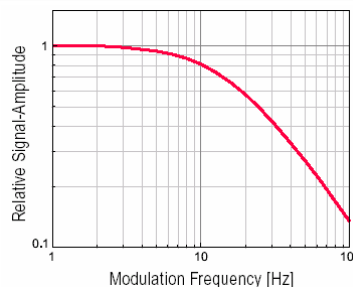
Electrical/Optical characteristics (T_c=25°C)

| Parameter | Min | Typ | Max | Unit | Conditions |
|--------------------------|-----|---------|-----|-----------------|--|
| Cold Resistance | 35 | 45 | 55 | Ω | |
| Hot Resistance | | 72 | | Ω | 450 mW |
| Electrical input power | | 450 | | mW | end of heating cycle |
| Operating voltage | | 5.7 | 6.3 | V | 450 mW |
| Operating current | | 80 | 90 | mA | 450 mW |
| Heating time constant | | 11 | | ms | |
| Cooling time constant | | 17 | | ms | |
| Peak emission wavelength | | 4.0 | | μm | 450 mW |
| Emissivity | 0.9 | 0.95 | | | VIS to 15 μm |
| Lifetime (measured) | | >40'000 | | hours | 50% duty cycle, 30 Hz, 450 mW, ongoing |
| Heating area | | 2.1x1.8 | | mm ² | |
| Case Temperature | | 47 | | °C | 50% duty cycle, 30 Hz, 450 mW |

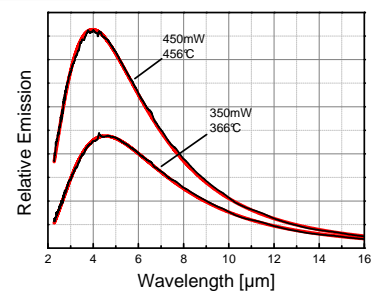
Package outline



An optimized reflector design offers a gain of approx. 7 times in intensity on the optical axis.



Square wave voltage, constant amplitude 50% duty cycle.



Modifications reserved Rev.07 / 01.10.2004

Authorized distributor:

HEIMANN Sensor GmbH
Grenzstr. 22
D-01109 Dresden, Germany

Contact / Customer Support

Phone 49 (0) 6123 60 50 30
Fax 49 (0) 6123 60 50 39

Internet

www.heimannsensor.com
e-mail: info@heimannsensor.com