

## TRANSDUCER/TRANSMITTER & TEMPERATURE PROBE

### Models 135, 235, 335

#### FEATURES:

- Pressure and temperature measurement from a single mounting well
- Rugged, all-welded, all stainless steel construction
- Interchangeable with existing systems
- Adjustable calibration signal option
- Replaceable thermocouple during use (Type J std.)
- Internal Calibration Resistor set to 80%  $\pm 0.5\%$  FSO
- Zero and Span controls, approximately  $\pm 20\%$  FSO (235, 335 only)

#### PRESSURE RANGES:

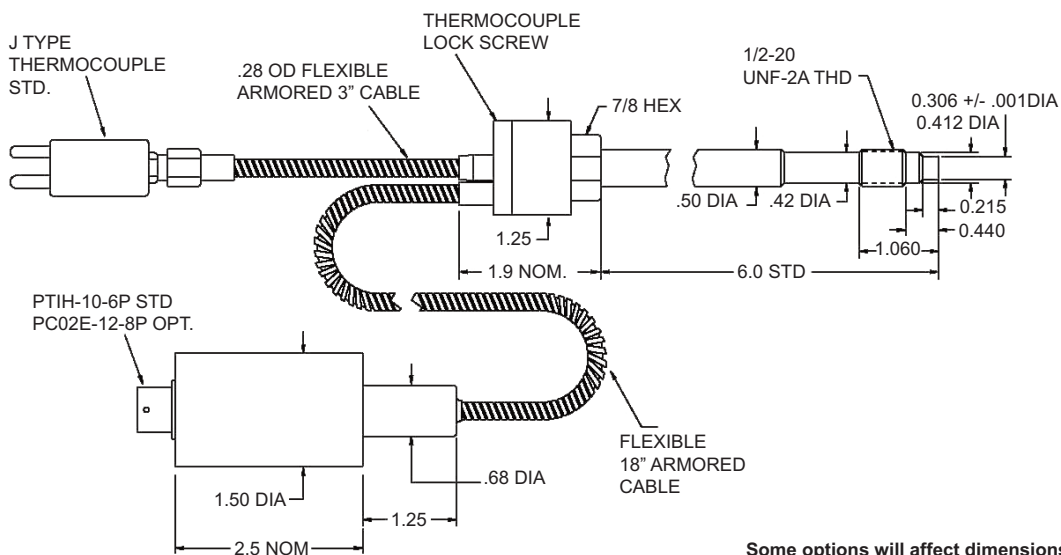
- From 0-500 through 0-30,000 psi  
(See ordering guide)

#### ACCURACY:

- (Non-Linearity, Hysteresis, Non-repeatability).
- $\pm 0.25\%$  FSO, RSS (0-5000 psi & higher)
  - $\pm 0.5\%$  FSO, RSS (0-500 and 0-3500 psi).



PLASTIC MELT PRESSURE



Some options will affect dimensions. Consult factory if important.

GP-50 reserves the right to make product improvements and amendments to the product specifications stated throughout this brochure without prior notification. Please contact the factory on all critical dimensions and specifications for verification.



Specifications reflect standard product, improved performance/mechanical options available. Modifications may alter specs, consult factory for more information.

### WIRING CODE

PTIH-10-6P	135	235	335
A/1	+ SIGNAL	+ SIGNAL	+ EXC./SIG-
B/2	- SIGNAL	- SIGNAL*	- EXC./SIGNAL
C/3	+ EXC.	+ EXC.	NC
D/4	- EXC.	- EXC.*	NC
E/5	CALIBRATE	CALIBRATE	CALIBRATE
F/6	CALIBRATE	CALIBRATE	CALIBRATE

PC02E-12-8P	135	235	335
A/1	+ EXC.	+ EXC.	+ EXC./SIGNAL
B/2	+ SIGNAL	+ SIGNAL	NC
C/3	- EXC.	- EXC.*	NC
D/4	- SIGNAL	- SIGNAL*	- EXC./SIGNAL
E/5	CAL. (Common)	CAL. (Common)	CALIBRATE
F/6	CAL. (Int. Res.)	CAL. (Int. Res.)	CALIBRATE
G/7	NC	NC	NC
H/8	CAL. (Ext. Res.)	CAL. (Ext. Res.)	NC

PIGTAIL	335	
RED	+ EXC./SIGNAL	* -Signal and - Excitation are common to each other.
BLACK	- EXC./SIGNAL	
SHIELD	NC	

### ORDERING GUIDE:

Use the following codes to identify desired item.

MODEL	RANGE	OPTIONS
•	+	•/•/•

Example: 335-RZ-CC/GU

MODEL	
135	3.33 mV/V
235	5 Vdc
335	4 - 20 mA

PRESSURE RANGE	
(PSI)	(BAR)
RH 500	UV 50
RK 750	UX 75
RM 1000	UY 100
RO 1500	VA 200
RT 3000	VC 350
RV 5000	VD 500
RX 7500	VE 700
RZ 10000	UA 1000
SB 15000	UH 1400
SD 20000	UC 2000
SF 30000	
SZ	Other

#### OPTIONS

AA None (standard connector PTIH-10-6P)

#### ALTERNATE CONNECTOR OR CABLE

CC Bendix PC02E-12-8P, [Mate: PC06A-12-8S-(SR), not included]  
 CD Cannon WK6-32S, [Mate: WK6-21C, not included]  
 CF 1/2" NPT(M) thread with 36" potted leads  
 CZ Alternate Connector/ Cable/ Other

#### ALTERNATE PRESSURE PORT

FB M18 X 1.5 Metric Thread  
 FG M14 X 1.5 Metric Thread  
 FZ Non-Standard Pressure Port

#### GENERAL

GB Alternate Electronic Output  
 Specify Zero and Span output values  
 GP Hastelloy C-276 Diaphragm & Threads  
 GQ Boron-Hardened diaphragm  
 GU Type K Thermocouple  
 QJ NaK Fill for 750°F max. applications  
 GW NaK Fill with Inconel diaphragm and stem for 1000°F max. applications  
 GV Silicone Oil Fill (Increases thermal shift)  
 Consult factory  
 GX Mineral Oil Fill (Increases thermal shift)  
 Consult factory  
 GZ Customer Special  
 JL Adjustable Shunt Calibration  
 JW Titanium Nitride-Coated Diaphragm & Threads  
 MO Gentran Wiring  
 MP Barber-Colman Wiring  
 JA Removable 100 ohm 3 wire RTD

#### RIGID STEM

GN 12.5" Rigid Stem

#### FLEX TUBING

GT 30" Armored Capillary Tube

<b>Material in Contact with Pressure Media</b>	15-5 PH Stainless steel and chrome plated diaphragm surface.		
<b>Proof Pressure</b>	2 times full scale pressure range or 35,000 psig whichever is less		
<b>Temperature Limits</b>	Diaphragm 750°F (400°C), 1000°F available with NaK fill Strain Gauge Housing 176°F (80°C)		
<b>Temperature Effects</b>	From Fill Zero 8 psi/100°F per inch of stem and capillary From Strain Gauge Housing Zero Less than ± 1.0% FSO/100°F (± 2.0% FSO/100°C) Span Less than ± 1.0% FSO/100°F (± 2.0% FSO/100°C)		
<b>Electricals</b>	Excitation Voltage Output at 70° F (Model 135) 3.5-15 Vdc (Model 135) 3.33 mV/V ± 2% (Model 235) 9-40 Vdc (Model 235) 5.0 Vdc ±2% (Model 335) 9-36 Vdc (Model 335) 4-20 mA ±2%  Zero Balance (Model 135) 0.0 mV/V ±5% FSO at 70°F (Model 235) 0.0 Vdc ±2% FSO at 70°F (Model 335) 4.0 mA ±2% FSO at 70°F  Input Impedance (Model 135) 350 ohm, nominal  Input Current (Model 235) 8 mA nominal  Load Impedance (Model 135) 50,000 ohms minimum for less than 0.1% FSO attenuation. (Model 335) 1350 ohms max. at 36 Vdc & 750 ohms 24 Vdc  Output Current (Model 235) 2.0 mA maximum for less than 0.1% FSO attenuation.  Range Ca. Signal 80% ±0.5% FSO standard		
<b>Signal Connector</b>	PTIH-10-6P, standard Mate PT06A-10-6S (SR), not included		
<b>Thermocouple Connector</b>	Standard 2 pole, 7/16" pin spacing		
<b>Pressure Connection</b>	1/2" - 20UNF - 2A thread for standard extruder pressure port		
<b>Mounting Torque</b>	500 inch pounds, maximum		