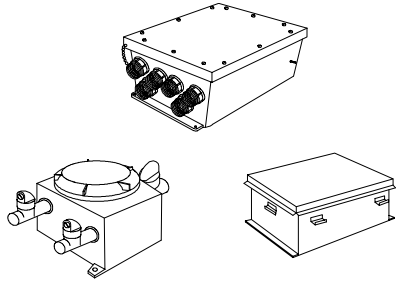


Specifications and Ordering Information Proximitor® Sensor / interface module/ VDC Housings



Description

Although Proximitor® Sensors and interface modules are rugged by design, these units and their electrical connections should be secured and protected when placed near rotating machinery. Also, explosion-proof housings may be necessary for electrical equipment placed in hazardous areas.

Bently Nevada offers three types of housings to protect Proximitor® Sensors, interface modules and velocity-to-displacement converters (VDCs) from adverse environmental conditions. Explosion-proof, water-resistant and water and corrosion-resistant units are available.

Explosion-proof and water-resistant housing

Housings can be ordered with non-conductive mounting plates to electrically isolate the Proximitor® Sensors, interface modules and VDCs from the housings. When properly installed, the explosion-proof housing is designed for use in the following: Class 1, Division 1 and 2, Groups C and D. Class II, Division 1 and 2, Groups E, F and G. Class III, Division 1 and 2. Nema 3, 4, 4x, 7 B C D, 9 E F G.

Water-resistant housing

The housings are constructed of 304L stainless steel and are designed to meet NEMA 4 specifications when properly installed.

Water and corrosion-resistant housing

Constructed of fiberglass, the water and corrosion-resistant housing protects Proximitor® Sensors, interface modules and VDCs from corrosive and wet environments. When properly installed, the fiberglass housings are designed for outdoor environments because of their resistance to water, dust, corrosion and sleet. Fiberglass housings may not be suitable for areas where Radio Frequency Interference (RFI) is present.

Transducer type options available for all three housings

Housing option (A) allows you to order transducer mounting hardware. The transducer type option includes mounting screws and optional isolation plates to correctly mount and isolate your Proximitor® Sensors, interface modules and VDCs.

Specifications

Table 1 Dimensions: Explosion-proof Housing

Part Number	Maximum Proximito [®] Sensor Capacity	Overall Dimensions (with lid)			Mounting Dimensions	
		Length	Width	Height	A	B
72341, BA72341, CA72341	2	229 (9.00)	181 (7.12)	169 (6.66)	206 (8.12)	149 (5.87)
72342, BA72342, CA72342	4	264 (10.4)	257 (10.1)	186 (7.31)	232 (9.12)	245 (9.63)
72343, BA72343, CA72343	6	302 (11.9)	274 (10.8)	183 (7.19)	267 (10.5)	241 (9.50)

Table 2 Dimensions: Water-resistant Housing

Part Number	Maximum Proximito [®] Sensor Capacity	Overall Dimensions (with lid)			Mounting Dimensions	
		Length	Width	Height	A	B
72381, BA72381	2	250 (9.84)	199 (7.84)	101 (3.97)	226 (8.88)	102 (4.00)
72382, BA72382	4	300.7 (11.84)	250 (9.84)	112 (4.42)	276.4 (10.88)	152 (6.00)
72383, BA72383	6	351.6 (13.84)	300.7 (11.84)	140 (5.52)	327.2 (12.88)	203 (8.00)

Table 3 Dimensions: Water and Corrosion-resistant Housing

Part Number	Maximum Proximito [®] Sensor Capacity	Overall Dimensions (with lid)			Mounting Dimensions	
		Length	Width	Height	A	B
24584	2	245 (9.63)	187 (7.38)	122 (4.81)	226 (8.88)	102 (4.00)
24585	4	295.1 (11.62)	238.3 (9.38)	108.0 (4.25)	273.0 (10.75)	152.4 (6.00)
24586	6	345.9 (13.62)	289.1 (11.38)	133.4 (5.25)	323.9 (12.75)	203.2 (8.00)

Ordering Information

Explosion-Proof Housings

72341-AXX-BXX 2-unit housing
 BA72341-AXX-BXX 2-unit housing, European approvals
 CA72341-AXX-BXX 2-unit housing, North American approvals

Option Descriptions

A: Transducer Type Option¹

- 00 No mounting hardware
- 02 3000 or 7200 Proximito[®] Sensors, VDCs and interface modules
- 03 3300 Proximito[®] Sensors or 7200 35 mm Proximito[®] Sensors
- 10 3300 XL Proximito[®] Sensors, panel mount

- B: Fitting Option*
- 01 No fittings supplied
 - 02 One 1¼ -11½ in NPT outlet fitting, one ¾-14 NPT inlet fitting
 - 03 One 1¼ -11½ NPT outlet fitting, two ¾-14 NPT inlet fittings
 - 04 One ¾-14 NPT outlet fitting, one ½-14 NPT inlet fitting
 - 05 One ¾-14 NPT outlet fitting, two ½-14 NPT inlet fittings

72342-AXX-BXX 4-unit housing
BA72342-AXX-BXX 4-unit housing, European Approvals
CA72342-AXX-BXX 4-unit housing, North American approvals

Option Descriptions

- A: Transducer Type Option¹*
- 00 No mounting hardware
 - 02 3000 or 7200 Proximito[®] Sensors, VDCs and interface modules
 - 03 3300 Proximito[®] Sensors or 7200 35 mm Proximito[®] Sensors
 - 10 3300 XL Proximito[®] Sensors, panel mount
 - 11 3300 XL Proximito[®] Sensors, DIN mount

- B: Fitting Option*
- 01 No fittings supplied
 - 02 One 1¼ -11½ NPT outlet fitting, one ¾-14 NPT inlet fitting
 - 03 One 1¼ -11½ NPT outlet fitting, two ¾-14 NPT inlet fittings
 - 04 One 1¼ -11½ NPT outlet fitting, three ¾-14 NPT inlet fittings
 - 05 One 1¼ -11½ NPT outlet fitting, four ¾-14 NPT inlet fittings
 - 06 One ¾-14 NPT outlet fitting, one ½-14 NPT inlet fitting
 - 07 One ¾-14 NPT outlet fitting, two ½-14 NPT inlet fittings
 - 08 One ¾-14 NPT outlet fitting, three ½-14 NPT inlet fittings
 - 09 One ¾-14 NPT outlet fitting, four ½-14 NPT inlet fittings

72343-AXX-BXX 6-unit housing
BA72343-AXX-BXX 6-unit housing, European Approvals
CA72343-AXX-BXX 6-unit housing, North American approvals

Option Descriptions

- A: Transducer Type Option¹*
- 00 No mounting hardware
 - 02 3000 or 7200 Proximito[®] Sensors, VDCs and interface modules
 - 03 3300 Proximito[®] Sensors or 7200 35 mm Proximito[®] Sensors
 - 14 3300 XL Proximito[®] Sensors, panel mount
 - 15 3300 XL Proximito[®] Sensors, DIN mount

- B: Fitting Option*
- 01 No fittings supplied
 - 02 One 1¼ -11½ NPT outlet fitting, one ¾-14 NPT inlet fitting
 - 03 One 1¼ -11½ NPT outlet fitting, two ¾-14 NPT inlet fittings
 - 04 One 1¼ -11½ NPT outlet fitting, three ¾-14 NPT inlet fittings
 - 05 One 1¼ -11½ NPT outlet fitting, four ¾-14 NPT inlet fittings
 - 06 One 1¼ -11½ NPT outlet fitting, five ¾-14 NPT inlet fittings
 - 07 One 1¼ -11½ NPT outlet fitting, six ¾-14 NPT inlet fittings
 - 08 One ¾-14 NPT outlet fitting, one ½-14 NPT inlet fitting
 - 09 One ¾-14 NPT outlet fitting, two ½-14 NPT inlet fittings
 - 10 One ¾-14 NPT outlet fitting, three ½-14 NPT inlet fittings
 - 11 One ¾-14 NPT outlet fitting, four ½-14 NPT inlet fittings
 - 12 One 1¼ -11½ NPT outlet fitting, five ½-14 NPT inlet fittings
 - 13 One 1¼ -11½ NPT outlet fitting, six ½-14 NPT inlet fittings

Dimensional diagrams

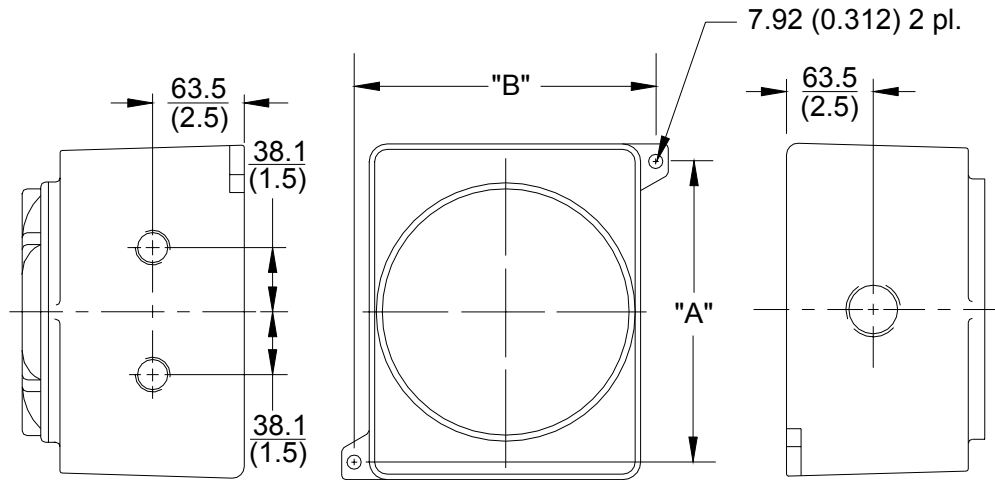


Figure 1 – 72341, BA72341, CA72341 Two-unit explosion proof housing

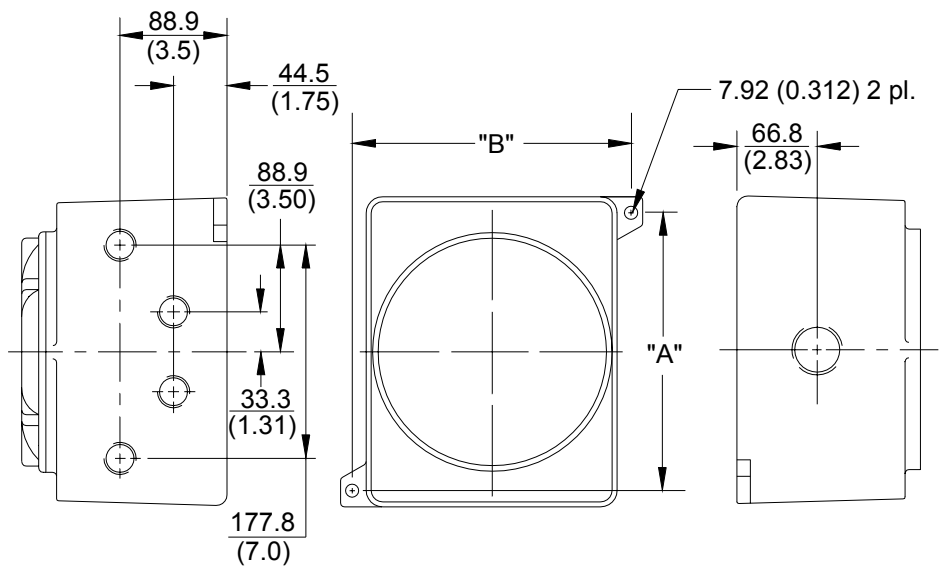


Figure 2 – 72342, BA72342, CA72342 Four-unit explosion proof housing

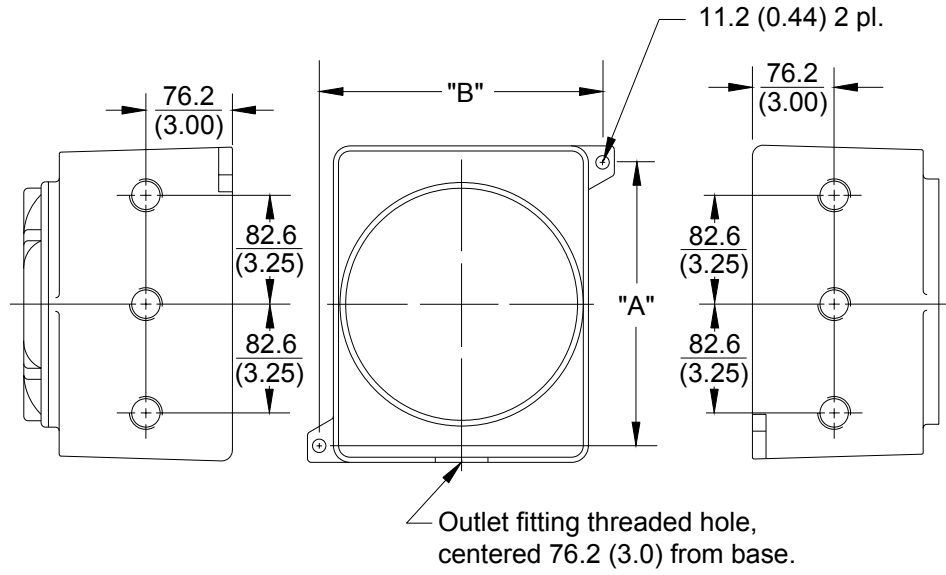


Figure 3 – 72343, BA72343, CA72343 Six-unit explosion proof housing

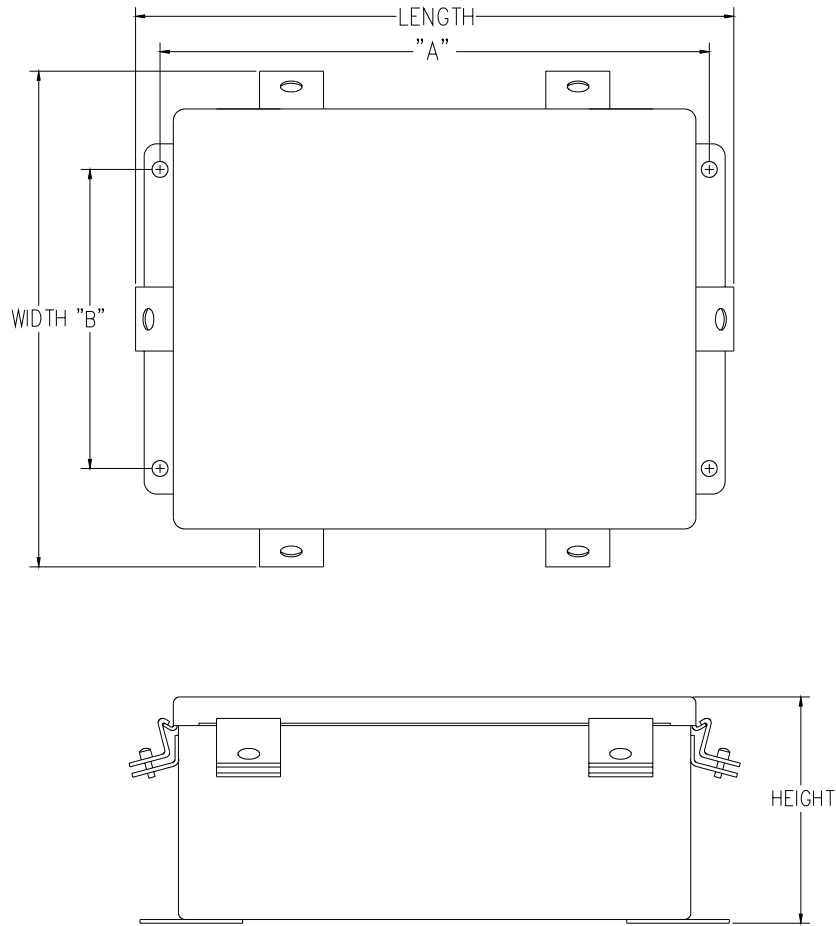


Figure 4 - 72381, 72382, 72383, BA72381, BA72382 and BA72383
Stainless Steel Housing Dimensions

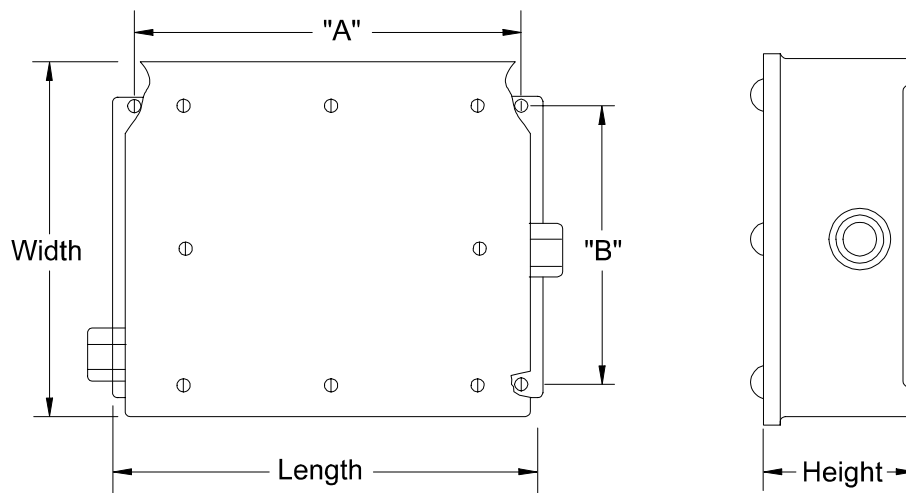


Figure 5 – 24584, 24585 and 24586 Fiberglass Housing Dimensions

Note: Dimensions for all drawings are in millimetres (inches)