

# 表面贴装诱电式贴片天线AMD系列

# SURFACE MOUNTABLE DIELECTRIC CHIP ANTENNAS AMD SERIES

表面贴装诱电式贴片天线AMD系列是结合了应用广泛的本公司高频陶瓷技术与最先进高频设计技术的高性能绝缘天线。具有小型、薄型、频带宽的特性。适合配置于小型便携式设备及通信模块中。

Surface mountable dielectric chip antennas AMD series are result of harmonizing our long experience in ceramic material & process technologies for high frequency applications together with cutting-edge RF design technologies. It is very small with low profile, but has a wide range of frequency band. It is suitable for compact mobile equipment and communication modules.

## 特点

- 小型、薄型天线(10.5×3.0×0.8mm)
- 高增益
- 无方向极性
- 利用外部调整电路，可在400MHz~1000MHz的范围内改变适用频带。

## Features

- Very small(10.5×3.0×0.8mm)
- High gain
- Omini-directional
- With an external tuning circuit, frequency range is applicable from 400MHz to 1000MHz.

## 用途

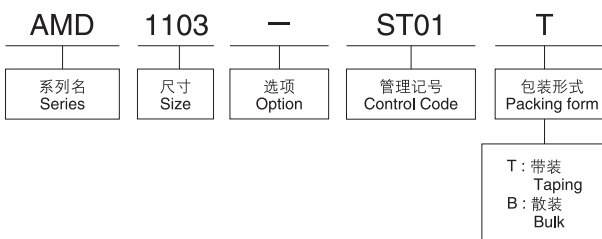
- 遥测仪(工业用、医疗用)、遥控器、数据通信、无钥门禁系统、发动机防盗锁止系统、汽车防盗语音通

## Applications

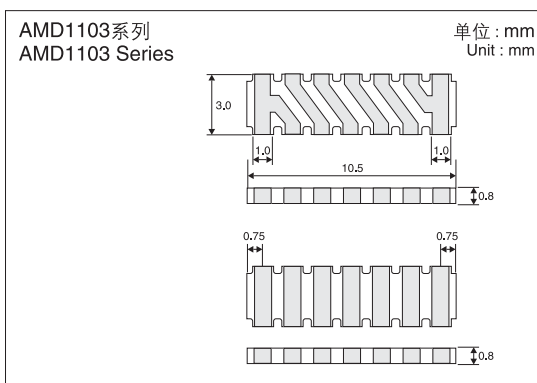
- Telemeter(Industrial & medical use), Telemetry, Telecontroller, Data communication, Keyless entry system, Immobilizer system, Car security system, Voice communication terminal



## 型号构成 Part number system



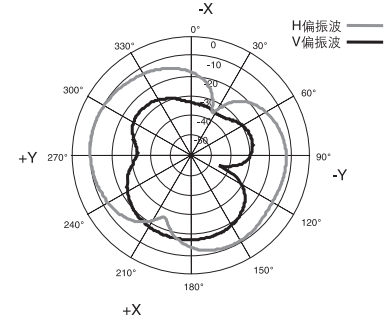
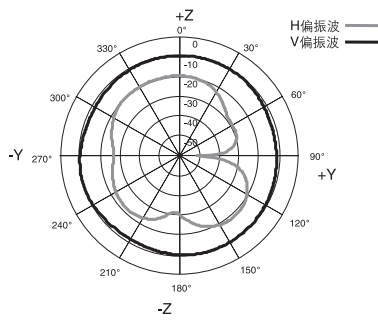
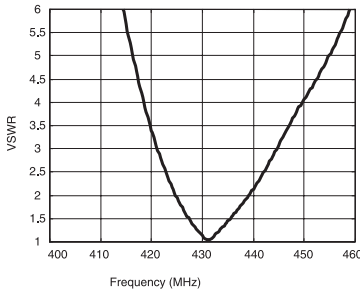
## 形状·尺寸 Dimensions



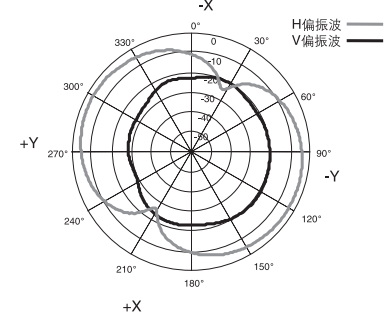
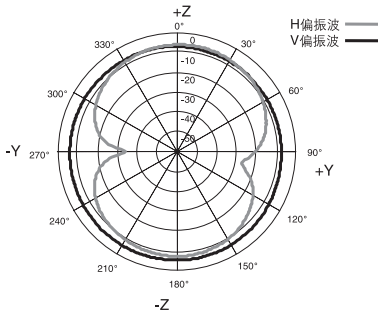
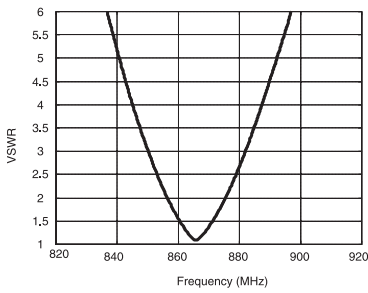
## 电气特性(参考值) Characteristics (Reference)

调整频率 tuned frequency	VSWR ≤ 3的带宽 Bandwidth in VSWR ≤ 3	最大增益 Peak Gain	平均增益 Average Gain
430MHz	23MHz	-9.4dBd	-10.2dBd
868MHz	32MHz	-5.1dBd	-6.2dBd
915MHz	42MHz	-3.5dBd	-4.7dBd

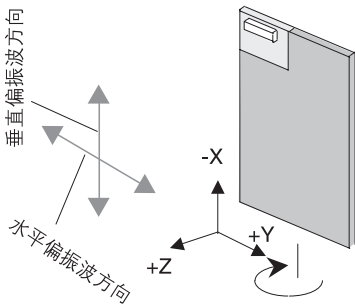
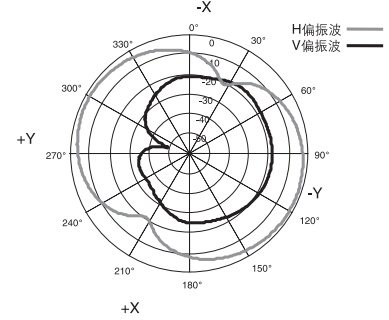
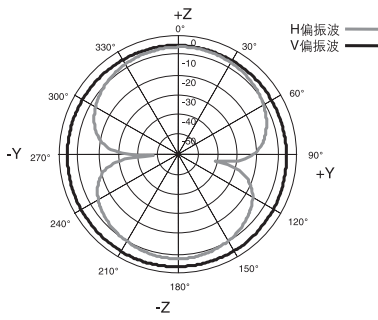
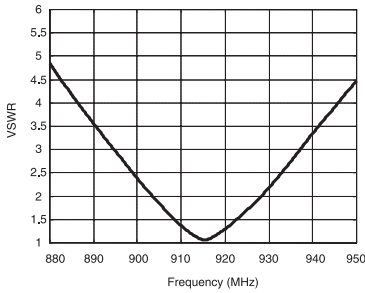
■ VSWR的特性及其放射特性(参考) 430MHz调整 VSWR & radiation characteristics (Reference) : 430MHz



■ VSWR的特性及其放射特性(参考) 868MHz调整 VSWR & radiation characteristics (Reference) : 868MHz



■ VSWR的特性及其放射特性(参考) 915MHz调整 VSWR & radiation characteristics (Reference) : 915MHz



贴片天线  
CHIP ANTENNAS

\*上述特性为典型特性，并非保证特性。  
 \*These characteristics are not guaranteed ones ,but typical ones.