

表面贴装电介质陶瓷天线AHD系列产品，是本公司长期积累的高频陶瓷技术与最新高频设计技术相结合的高性能天线。具有小型、薄型及宽频特性。适合配置于小型便携式设备及通讯模块中。

Surface mountable dielectric chip antennas AHD series is a result of harmonizing our long experience in ceramic material & process technologies for high frequency applications together with cutting-edge RF design technologies. It is very small with low profile, but has a wide range of frequency band. It is suitable for compact mobile equipment and communication modules.

特点

- 小型、超薄的全向性天线。
- 结构小巧，最适用于移动电话等贴装空间小的设备。
- 比组装基板还薄，适合配置在卡片式设备内。
- 具有宽频特性，即使因组装条件或使用条件使中心频率变动，也能有效覆盖通讯频带范围。

Features

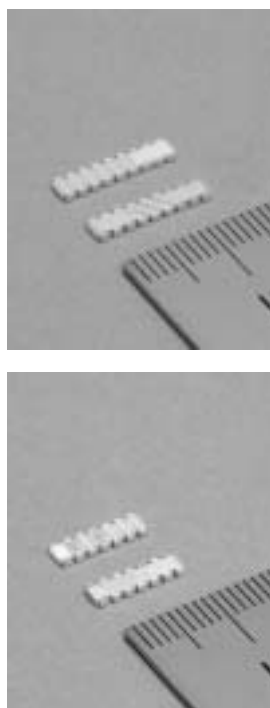
- Very small and thin, omni-directional antenna.
- Due to its compact size, suitable for equipment like cellular phone with a limited mounting space.
- Suitable for card shaped equipment due to its low profile.
- Wide frequency band allows a big margin to cover the required range even in case of center frequency shift with mounting condition and other environmental factors.

用途

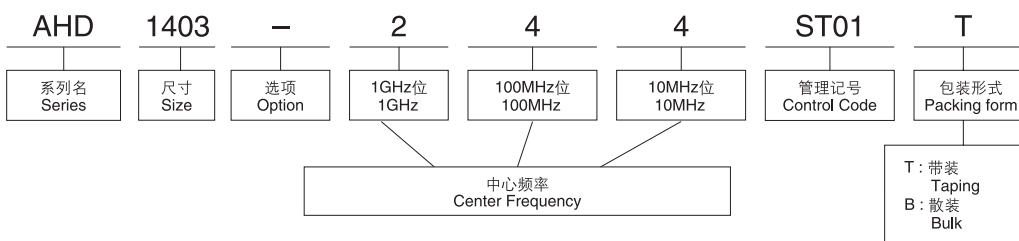
- 无线LAN、Bluetooth™等。
- PHS、DECT

Applications

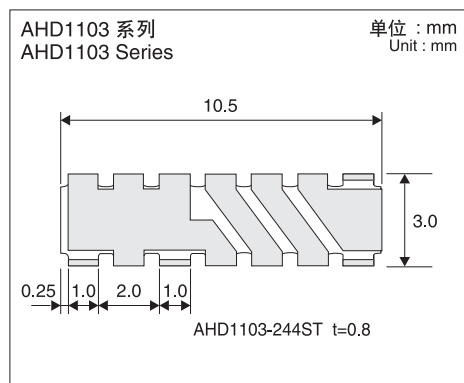
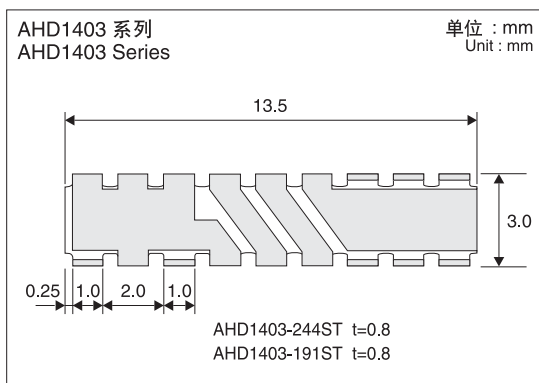
- Wireless LAN, Bluetooth™ etc.
- PHS, DECT



型号构成 Part number system



形状·尺寸 Dimensions



型号一览表 Part number list

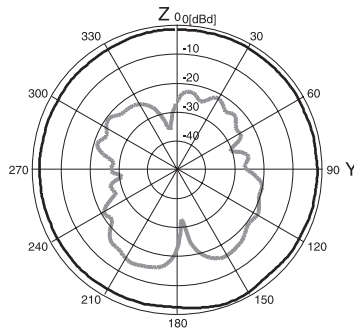
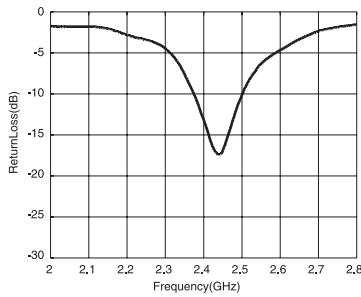
型号 Part Number	尺寸 Sizes	使用频率范围 Operating Frequency Range	偏振波 Polarization	使用温度范围 Operating Temperature
AHD1403-244ST01	13.5×3×0.8mm	2400~2484MHz	直线 Linear	-25~+85°C
AHD1103-244ST01	10.5×3×0.8mm	2400~2484MHz	直线 Linear	-25~+85°C
AHD1403-191ST01	13.5×3×0.8mm	1880~1920MHz	直线 Linear	-25~+85°C

电气特性(参考值) Characteristics (Reference)

型号 Part Number	VSWR≤3的带宽 Bandwidth in VSWR≤3	最大增益 Peak Gain	平均增益 Average Gain
AHD1403-244ST01	230MHz	-0.5dBd	-3.8dBd
AHD1103-244ST01	200MHz	-1.0dBd	-4.8dBd
AHD1403-191ST01	130MHz	-1.3dBd	-4.7dBd

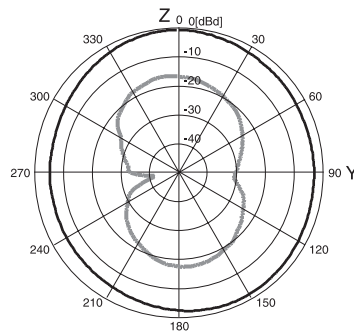
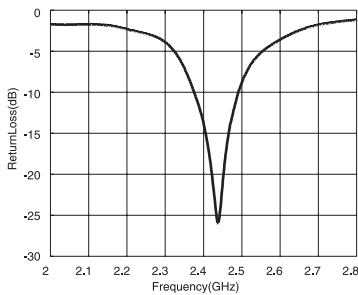
AHD1403-244ST01的特性

Characteristics of AHD1403-244ST01



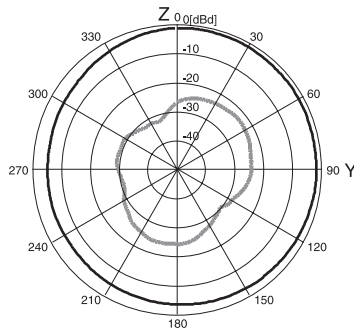
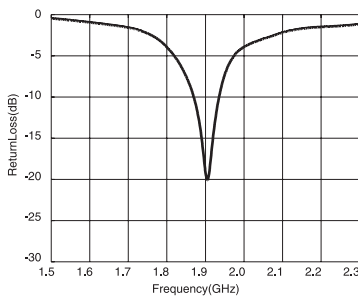
AHD1103-244ST01的特性

Characteristics of AHD1103-244ST01



AHD1403-191ST01的特性

Characteristics of AHD1403-191ST01



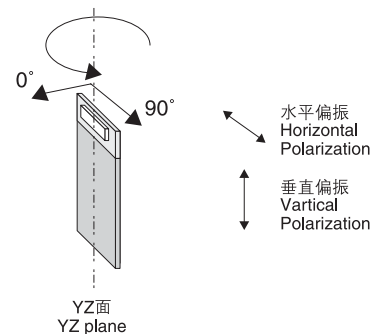
— 垂直偏振
V-Pol
— 水平偏振
H-Pol

频率系列产品

表面贴装天线受主板尺寸与周围元件材料的影响，其中心频率会产生变化。AHD系列通过预先将中心频率以一定间隔进行系列化，从而修正上述频率变化。因此，能够从AHD系列中方便迅速地找到适合于贴装条件的最佳天线。

Series of center Frequencies

In case of surface mount antennas, the center frequency is dependent on the PCB size or other surrounding components and materials, and therefore can be different from what is measured with our standard test board. For the AHD series, we have therefore prepared series of items having different center frequencies with a certain frequency step, in order to cancel the above mentioned frequency shift by the environmental factors. So with our AHD series, you can easily and quickly find the most suitable antenna for your own mounting conditions.



*上述特性为典型特性，并非保证特性。
 *These characteristics are not guaranteed ones, but typical ones.