

# DIA环形压敏电阻系列(DRV)

# DIA RING VARISTOR SERIES(DRV)

DIA环形压敏电阻是用于消除各种小型电机的火花、防止噪声的半导体陶瓷元件。非线性系数( $\alpha$ )及静电容量大, 防噪声性能优异。

DIA RING VARISTOR has been specially designed for the application of spark elimination and noise protection of various compact DC motors. It is most suitable for noise-proof because of high non-linear coefficient ( $\alpha$ ) and high capacitance.



浪涌吸收器  
SURGE ABSORBER

## 特点

- 电压非线性系数( $\alpha$ )实际高达3-7, 静电容量(C)也高达5,000-30,000pF, 可在很大的频率范围内抑制噪声。
- 耐热强度大, 无需预热即可进行焊接。
- 温度特性优异。

## Features

- High non-linearity of U-I characteristic ( $\alpha$ :3-7) and a high capacitance (C:5,000~30,000pF) enable application for noise protection over wide frequency range.
- High heat resistance for soldering without pre-heating.
- Excellent temperature characteristics.

## 用途

- 消除各种小型直流电机的火花及防止噪声。

## Applications

- Spark elimination and noise protection of various compact DC motors.

## 型号构成 Part number system

DRV-T

系列名  
Series

AZ

形状  
Shape

—

160

E<sub>10</sub>电压  
E<sub>10</sub>voltage

M

E<sub>10</sub>容许偏差  
E<sub>10</sub> tolerance

3P

表面电极数  
Number of poles

B

电极形状  
Shape of termination

R

背面电极标记  
Back face pole

前2位数字表示E<sub>10</sub>电压值的有效数字, 第3位数字表示10的幂数。  
The first two digits are significant, the third is the number of zeros.

例) 16 × 10<sup>0</sup> = 16V  
Ex.) 16 × 10<sup>0</sup> = 16V

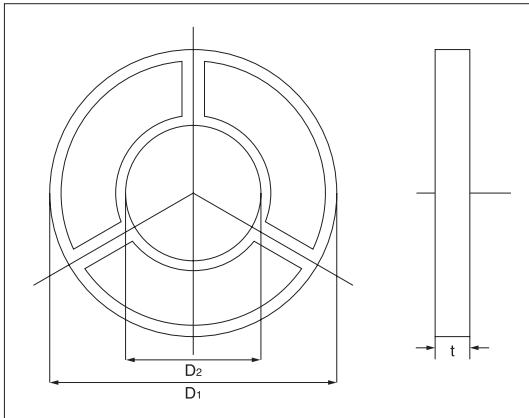
M	±20%
N	±30%

3P	3极 3 Terminals
5P	5极 5 Terminals

B	电极面积大 larger area
无 None	电极面积小 smaller area

R	背面电极 With back face pole 有Be
---	------------------------------------

## 形状·尺寸 Dimensions



形状 Shape	内径 D2 Inner dia. D2 (mm)	外径 D1 Outer dia. D1 (mm)	厚度 t Thickness t (mm)	电极数 Number of poles	E <sub>10</sub> 电压 E <sub>10</sub> voltage (V)
AW	ø5.0 <sup>+0.2</sup> / <sub>-0.1</sub>	ø8.0 ± 0.2	0.6 <sup>+0</sup> / <sub>-0.2</sub>	3, 5	10~38
AY	ø5.80 ± 0.15	ø9.3 ± 0.2	0.7 ± 0.1		10~55
AZ	ø6.8 ± 0.2	ø10.7 ± 0.2	1.05max.		16~60
A3	ø7.4 ± 0.2	ø11.7 ± 0.2	1.0 ± 0.2	3, 5	16~60
AV	ø8.5 ± 0.2	ø12.4 ± 0.2	1.00 ± 0.20		12~55
A110	ø9.6 ± 0.2	ø15.4 ± 0.2	0.90 ± 0.15	3, 5	12~55

## 特性 Characteristics

型号 Part number	E <sub>10</sub> 电压 E <sub>10</sub> voltage (V)	非线性系数 $\alpha$ Non-linear coefficient $\alpha$		静电容量 C(nF) Capacitance C(nF)		额定功率 Rated power (W)	电机适用电压 Rated voltage of motor (V)
		标准值 Standard	参考值 Typical value	标准值 Standard	参考值 Typical value		
DRV-TAZ-130M3PBR	10.4~15.6	4.0min.	5.0	12min.	15	0.35	9
DRV-TAZ-160M3PBR	12.8~19.2	4.0min.	5.0	10min.	15		12
DRV-TAZ-220M3PBR	17.6~26.5	4.0min.	6.0	8min.	8		16
DRV-TAZ-320M3PBR	25.6~38.4	4.0min.	6.0	6min.	8		24
DRV-TAZ-550M3PBR	44.0~66.0	4.0min.	7.0	4min.	6		32

※有关E<sub>10</sub>电压范围、形状及尺寸等其他项目, 请垂询本公司。  
※Please consult us for range of E<sub>10</sub> voltage, shape and dimensions.

## 电压-电流特性 Current-voltage characteristics

