

PERFORMANCE

Range 0 - 2000 ppm
 Maximum overload TBA
 Sensitivity 8 - 20 nA/ppm SO2
 Zero in air at 20 °C <±50 ppm SO2
 Zero deviation (-20 to +40 °C) 0 - 4 ppm SO2
 Resolution 5 ppm SO2
 Linearity linear across range
 Response time, t90 <60 s
 Long-term output drift <2% signal/month
 Warranty 2 years

OPERATING CONDITIONS

Temperature range -20 to +50 °C
 Operating humidity 15 - 90% RH (non-condensing)
 Pressure range 90 - 110 kPa (nominal)
 Operating circuit see Electrochemical Toxic Sensor Application Note
 Applied potential 0 V
 Storage life 6 months in original packaging (0 - 25 °C)

PHYSICAL CHARACTERISTICS

Label colour silver
 Weight 5 g approx.
 Dimensions see outline

This device is designed to be RoHS compliant.

CROSS-SENSITIVITY DATA

TBA

TEMPERATURE DEPENDENCE

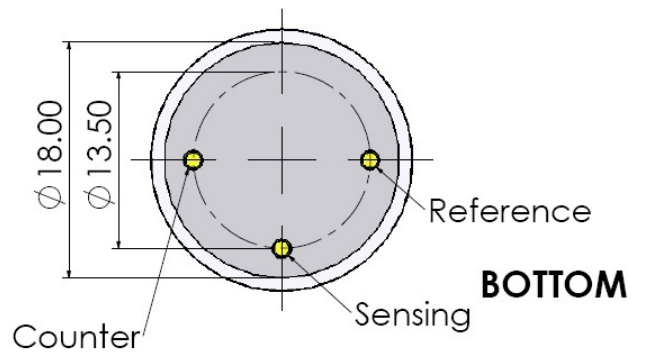
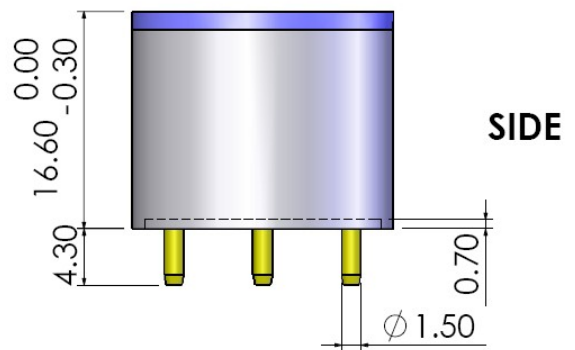
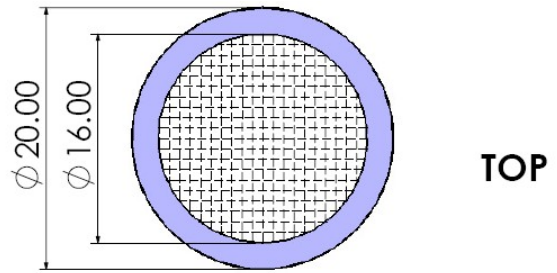
TBA

Important Note

Do not solder to the connector pins as this may damage the sensor and thereby invalidate the warranty.

Details on recommended connector pins can be found in the Frequently Asked Questions within the Gas Sensor section of the SGX website.

OUTLINE



All dimensions in mm.
 All tolerances ±0.15mm unless otherwise stated.