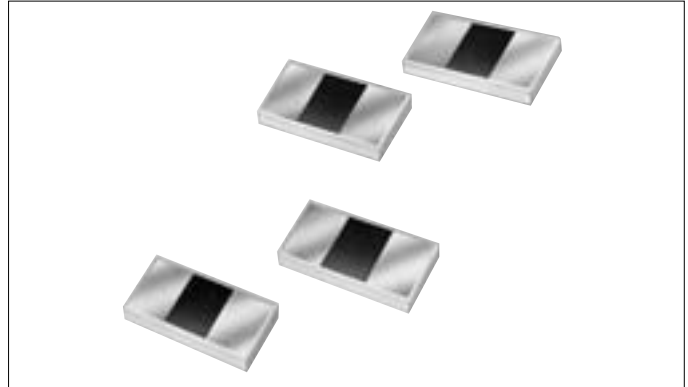


THIN FILM TYPE THERMISTOR

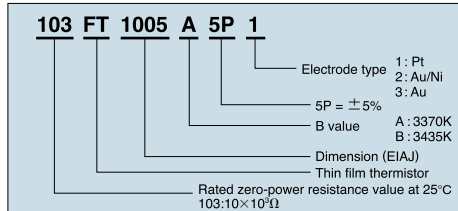
SUNSTAR传感与控制 <http://www.sensor-ic.com/> TEL:0755-83376549 FAX:0755-83376182 E-MAIL:szsss20@163.com

FT THERMISTOR

The FT thermistors, the highly reliable thermistors, are characterized by their fast response time, which was made possible by the miniaturization of the thermistor dimensions. FT thermistors are also heat-resistant type. FT thermistors are the most excellent products of today's chip thermistors manufacturing.



Part number



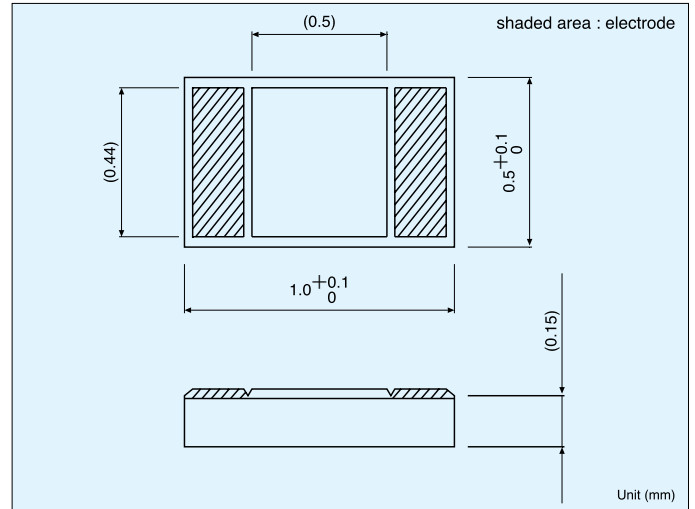
APPLICATION

OA sensor, Measuring instrument, Medical instrument, LCD, etc.

	Electrode type	Connection method	Temperature range in use (°C)
1	Pt	Conductive resins	-40~+350
2	Au/Ni	Solder	-40~+125
3	Au	Wire-bonding	-40~+250

We can also custom-make FT THERMISTOR to better suit your applications. Please consult our sales staff.

Dimensions



Specifications

Part No.	R_{25}^{*1}	B value ^{*2}	Dissipation factor (mW/°C) Approx.	Thermal time constant(s) ^{*3} Approx.	Rated maximum power dissipation (at 25°C)(mW)
103FT1005	$10k\Omega \pm 5\%$	$3435K \pm 1\%$	0.3	2.0	1.5
		$3370K \pm 1\%$			
503FT1005	$50k\Omega \pm 5\%$	$3435K \pm 1\%$			
		$3370K \pm 1\%$			
364FT1005	$360k\Omega \pm 5\%$	$3370K \pm 1\%$			

*1 R_{25} : Rated zero-power resistance value at 25°C.

*2 B value: determined by rated zero-power resistance at 25°C and 85°C.

*3 Time when thermistor temperature reaches 63.2% of the temperature difference. The value is measured in the air.

Resistance-Temperature

Temperature (°C)	P/N			Temperature (°C)	P/N				
	103FT		503FT		103FT		503FT	364FT	
	B=3370K	B=3435K	B=3370K	B=3370K	B=3435K	B=3370K	B=3370K		
-40	187.9	200.7	939.3	110	0.8003	0.7662	4.002	3.829	28.81
-30	110.7	117.0	553.4	120	0.6345	0.6064	3.172	3.029	22.84
-20	67.26	70.34	336.3	125	0.5671	0.5418	2.836	2.706	20.42
-10	42.10	43.55	210.5	130					18.30
0	27.07	27.71	135.3	140					14.81
10	17.86	18.11	89.31	150					12.09
20	12.07	12.12	60.33	160					9.963
25	10.00	10.00	50.00	170					8.274
30	8.332	8.299	41.66	180					6.925
40	5.871	5.804	29.36	190					5.837
50	4.216	4.139	21.08	200					4.954
60	3.081	3.006	15.40	210					4.232
70	2.288	2.220	11.44	220					3.636
80	1.725	1.666	8.623	230					3.142
90	1.318	1.269	6.592	240					2.731
100	1.021	0.9797	5.105	250					2.385

Unit (k Ω)