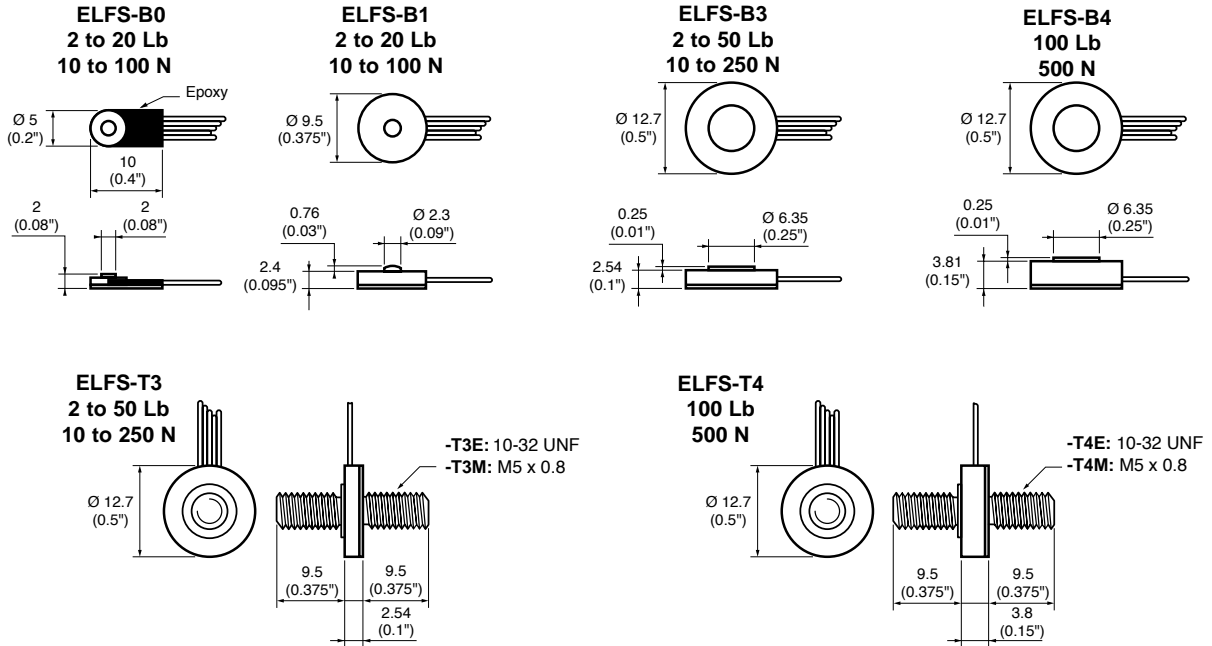


ELFS Series Load Cells

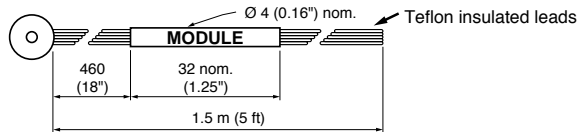


Subminiature - High Output

ELFS-B0, -B1, -B3, -B4, -T3 & -T4



WIRING



Dim: mm (inches)

ELFS Series

BODY STYLES	Lb RANGES "FS" (\pm for -T)	N RANGES "FS" (\pm for -T)	OVERRANGE LIMIT	OUTPUT "FSO" nom. type B0	OUTPUT "FSO" nom. types B1, B3, T3, T4 (\pm for -T)
ELFS-B0, -B1, -B3 & -T3	2	10	2x FS	100 mV	100 mV
ELFS-B0, -B1, -B3 & -T3	5	25	2x FS	100 mV	200 mV
ELFS-B0, -B1, -B3 & -T3	10	50	1.5x FS	100 mV	250 mV
ELFS-B0, -B1, -B3 & -T3	20	100	1.5x FS	100 mV	250 mV
ELFS-B3 & -T3	50	250	1.5x FS	not available	250 mV
ELFS-B4 & -T4	100	500	1.2x FS	not available	250 mV

EXCITATION: 15VDC
IMPEDANCE IN: 2000 Ω nom. (1500 Ω nom. for ELFS-B0)
IMPEDANCE OUT: 1000 Ω nom. (500 Ω nom. for ELFS-B0)
SENSING TECHNOLOGY: Semiconductor
NON-LINEARITY: \pm 1%FSO (\pm 2%FS for ELFS-B0)
HYSTERESIS: \pm 1%FSO
DEFLECTION AT "FS": <0.013mm (<0.0005") nom.
THERMAL ZERO SHIFT: \pm 2.5mV/50°C (\pm 2.5mV/100°F)
THERMAL SENSITIVITY SHIFT (TSS): \pm 2.5%/50°C (\pm 2.5%/100°F)
OPERATING TEMPERATURE: -40°C to 120°C (-40°F to 250°F)
COMPENSATED TEMPERATURE: 20°C to 80°C (70°F to 170°F)
ZERO OFFSET AT 20°C (70°F): \pm 15mV typ.
MODE:
 -B: Compression (+Signal Output for Compression)
 -T: Tension/Compression (+Signal Output for Tension)
 -B: In Compression -T: In Tension
CALIBRATION:
BODY MATERIAL: Stainless Steel

"Off-the-Shelf" Stocking Program

<p>www.entran.com</p>	<p>ELFS LOAD CELLS Subminiature - High Output Smallest Size & Profile</p>	<p>Entran Sensors & Electronics USA: Fairfield, NJ UK: Garston, Watford, Herts, England Europe: Les Clayes-sous-Bois, France</p>		
		SPECIFICATION	ISSUE	PAGE
		ELFSS001U	PB1	1 of 2

ELFS specifications continued ...

Options and Accessories:

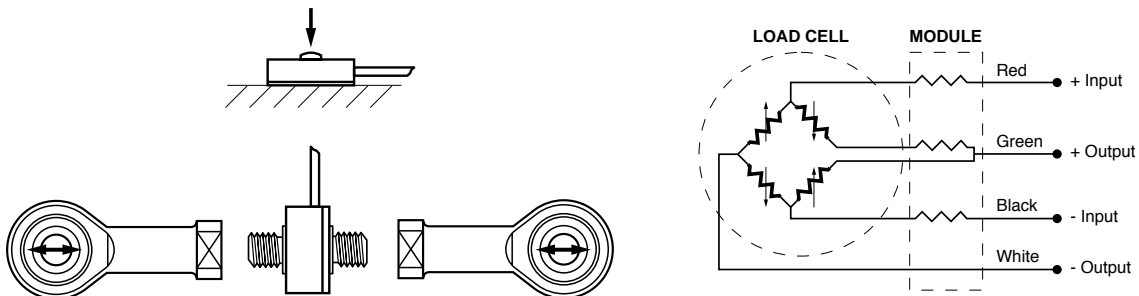
COMPENSATED TEMPERATURE RANGES:	STANDARD	= 20°C to 80°C (70°F to 170°F)
	Z1	= -20°C to 40°C (0°F to 100°F)
	Z2	= 0°C to 60°C (32°F to 140°F)
	Z4	= 40°C to 90°C (100°F to 200°F)
	Z*	= Non-standard, contact Entran
5 WIRE BRIDGE WIRING FOR ADJUSTABLE ZERO OFFSET:	5	= 5 Wire
EXCITATION VOLTAGE:	STANDARD	= 15VDC
	V00	= Replace "00" with Excitation between 1 and 15. If less than 15, Sensitivity (FSO) will decrease accordingly.
	V*	= Non-standard Excitation with standard FSO and non-standard TSS, contact Entran
SPECIAL LEAD LENGTH:	L00F	= Replace "00" with total length in feet.
	L00M	= Replace "00" with total length in meters.
SPECIAL MODULE LOCATION:	M00F	= Replace "00" with distance between sensor and module in feet.
	M00M	= Replace "00" with distance between sensor and module in meters.
WATERPROOFING LEAD EXIT Not available on ELFS-B1 or -B3 below 10lbs (50N):	X	= Short term waterproofing. Limited to 105°C (220°F).
CONNECTOR WIRED TO LEADS:	C	= Microtech type male (w/o mate)
	R	= RJ Telephone type male (w/o mate)
	RQ	= Pins to mate with MM50 screw terminals
MATING CONNECTORS FOR CONNECTOR OPTIONS:	See Cable and Connector Bulletin	
CALIBRATION:	STANDARD	-B: Compression -T: Tension
	Available	Tension & Compression calibration for -T body

Model Number construction:

<u>ELFS</u> Series	-	<u>B1</u> Bodies	-	<u>100</u> Range	<u>N</u> Units	-	<u>/Z1/L2M/R</u> Options
		B0 B1 B3 B4 T3E, T3M T4E, T4M		(K used for 1000 Ex.: 1K)	N=Newtons L=Pounds		C, R or RQ L00F or L00M M00F or M00M V1 thru V15 or V* X Z1, Z2, Z4, or Z* 5

■ "Off-the-Shelf" Stocking Program

Mounting & Wiring:



Entran®

ELFS LOAD CELLS

SPECIFICATION

ELFSS001U

ISSUE

PB1

PAGE

2 of 2