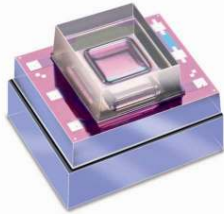


MS7212 PRESSURE SENSOR DIE (0-12 BAR) FOR HARSH ENVIRONMENT



- 0 to 1200 kPa pressure range (12 bar or 174 PSI)
- Absolute differential pressure sensor
- Hermetic sensor
- RoHS-compatible & Pb-free*

DESCRIPTION

The MS7212 is an absolute silicon micro-machined pressure sensor for harsh environment. A vacuum reference cavity is sealed on top of the sensitive silicon membrane by anodic bonding of a Pyrex™ cap. The pressure applied on the backside is converted in electrical signal by piezo-resistors implanted in the silicon membrane. To improve the sensor stability, a drilled Pyrex™ is bonded on the backside. As the pressure port consists of Pyrex™ and silicon, both stable in most of the chemicals, the MS7212 is suitable for media-resistive applications.

FEATURES

- Media resistive pressure sensor die
- Output Span 150 mV @ 5V
- Temperature Range -40°C ...+ 125°C
- Linearity 0.05 % (typical)
- Small Die Size 1.63 x 1.95 mm²
- Low cost, High reliability

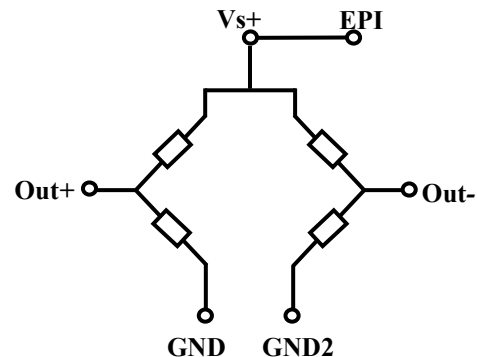
APPLICATIONS

- Harsh environments
- Absolute pressure sensor systems
- Braking systems
- Tire pressure
- Engine controls
- Diving computers

ELECTRICAL CONNECTIONS

Positive output for pressure applied topside

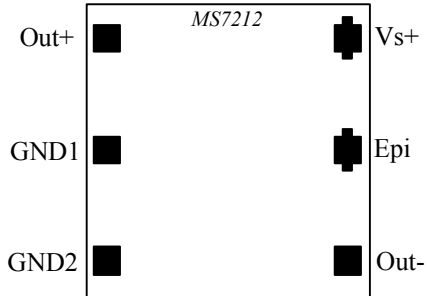
- Vs+ : Supply voltage of Wheatstone bridge
- Epi : Connection of epitaxial layer (membrane)
- Out- : Negative output
- Out+ : Positive output
- GND1 : Ground
- GND2 : Ground



*The European RoHS directive 2002/95/EC (Restriction of the use of certain Hazardous Substances in electrical and electronic equipment) bans the use of lead, mercury, cadmium, hexavalent chromium and polybrominated biphenyls (PBB) or polybrominated diphenyl ethers (PBDE).

MS7212 PRESSURE SENSOR DIE (0-12 BAR) FOR HARSH ENVIRONMENT

PAD OUT

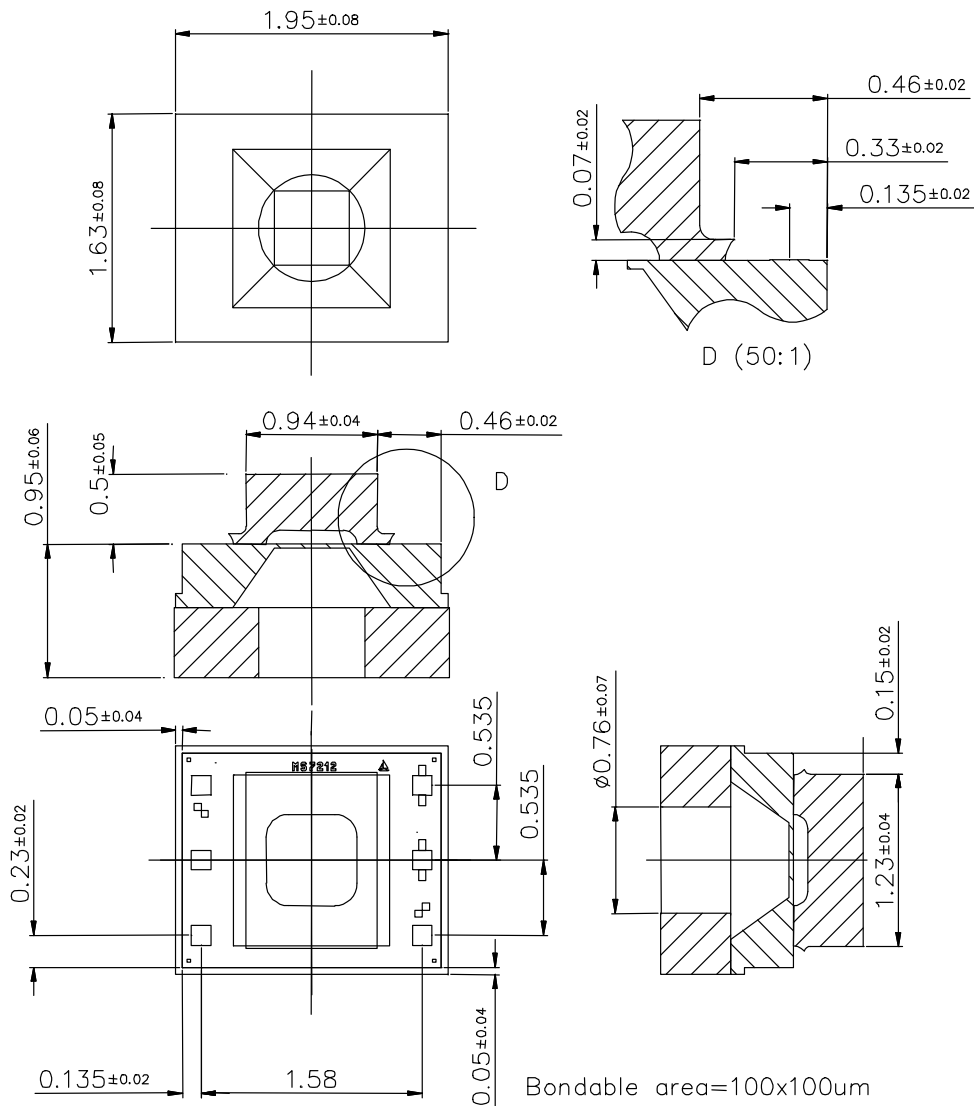


Important remarks:

As the sensing elements are diffused resistances, the voltage applied on the ground pads (GND1 and GND2) has to be lower than the voltage applied on supply voltage pad (Vs+).

The epitaxial layer is connected to the Vs+ pin on the die

LAYOUT



MS7212 PRESSURE SENSOR DIE (0-12 BAR) FOR HARSH ENVIRONMENT

FULL SCALE PRESSURE

kPa	bar	mbar	PSI	atm	Mm Hg	m H2O	Inches H2O
1200	12	12000	174	11.8	9001	122	4818

ABSOLUTE MAXIMUM RATINGS

Parameter	Symbol	Conditions	Min	Max	Units
Supply voltage	Vs+	Ta = 25 °C		20	V
Storage temperature	Ts		-40	+150	°C
Pressure overload				30	Bar

ELECTRICAL CHARACTERISTICS

(Reference conditions: Supply voltage Vs+ = 5 Vdc; Ambient Temperature Ta = 25°C)

Parameter	Min	Typ.	Max	Unit	Notes
Operating Pressure Range	0		12	Bar	
Operating Temperature Range	-40		125	°C	
Bridge Resistance	3.0	3.4	3.8	kΩ	
Full-scale span (FS)	120	150	180	mV	
Zero Pressure Offset	-40	0	40	mV	
Linearity		± 0.05	± 0.3	% FS	1
Temperature Coefficient of Resistance	+ 2400	+ 2800	+ 3300	ppm/°C	2
Span	- 1500	- 1900	- 2300	ppm/°C	
Offset	- 80		+ 80	µV/°C	
Pressure Hysteresis		± 0.05	± 0.15	% FS	3
Repeatability		± 0.1	± 0.15	% FS	4
Temperature Hysteresis			0.3	% FS	5

NOTES

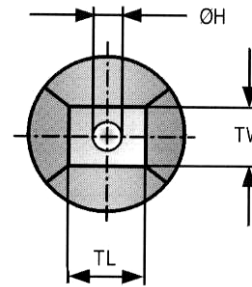
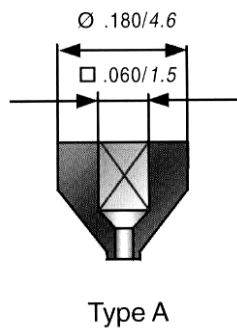
- 1) Deviation at one half full-scale pressure from the least squares best line fit over pressure range (0 to 12 bar).
- 2) Slope of the endpoint straight line from 25°C to 60°C.
- 3) Output deviation at any pressure within the specified range, when this pressure is cycled to and from the minimum or maximum rated pressure, at 25 °C.
- 4) Same as 3) after 10 pressure cycles.
- 5) Maximum difference in offset after one thermal cycle from -40°C to +125°C.

MS7212 PRESSURE SENSOR DIE (0-12 BAR) FOR HARSH ENVIRONMENT

PICKING TOOLS

The MS7212 sensors have a topside Pyrex™ cap with dimensions of 1.23 x 0.94 mm and a backside Pyrex™ with dimensions of 1.95 X 1.63 mm. The pick and place tool has to be of a soft material like rubber (Hardness 78-97 Shore A). Its external size must fit the Pyrex™ cap. Successful tests were done with some tools of SPT (see SPT drawing and references below).

SPT references	RTR-A1-060x060
External dimension	TL & TW: 0.06 inch / 1.52 mm
Internal dimensions	∅H: 0.035 inch / 0.89 mm



WIRE BONDING

The bondable area is 100 x 100 μm². The location of the bonding pads is close to the top of Pyrex glass edge reducing the possible size and angle of the bonding capillary. Refer to the detail view D on the layout for more precision.

ORDERING INFORMATION

Product code	Type	Product	Art.-Nr.
MS7212-A	Absolute	12 bar Absolute Pressure Sensor sawn on b/f	721225021

The MS7212 dice are supplied sawn on blue foil, mounted on plastic rings

NORTH AMERICA

Measurement Specialties
 45738 Northport Loop West
 Fremont, CA 94538
 Tel: 1-800-767-1888
 Fax: 1-510-498-1578
 Sales: pfg.cs.amer@meas-spec.com

EUROPE

Intersema Sensoric SA
 Ch. Chapons-des-Prés 11
 CH-2022 BEVAIX
 Tel. Int. +41 32 847 9550
 Telefax +41 32 847 9569
 Sales: sales@intersema.ch

ASIA

Measurement Specialties
 (China), Ltd.
 No. 26 Langshan Road
 Shenzhen High-Tech Park (North)
 Nanshan District, Shenzhen 518107
 China
 Tel: +86 755 3330 5088
 Fax: +86 755 3330 5099
 Sales: pfg.cs.asia@meas-spec.com

The information in this sheet has been carefully reviewed and is believed to be accurate; however, no responsibility is assumed for inaccuracies. Furthermore, this information does not convey to the purchaser of such devices any license under the patent rights to the manufacturer. Measurement Specialties, Inc. reserves the right to make changes without further notice to any product herein. Measurement Specialties, Inc. makes no warranty, representation or guarantee regarding the suitability of its product for any particular purpose, nor does Measurement Specialties, Inc. assume any liability arising out of the application or use of any product or circuit and specifically disclaims any and all liability, including without limitation consequential or incidental damages. Typical parameters can and do vary in different



MS7212 PRESSURE SENSOR DIE (0-12 BAR) FOR HARSH ENVIRONMENT

applications. All operating parameters must be validated for each customer application by customer's technical experts. Measurement Specialties, Inc. does not convey any license under its patent rights nor the rights of others.