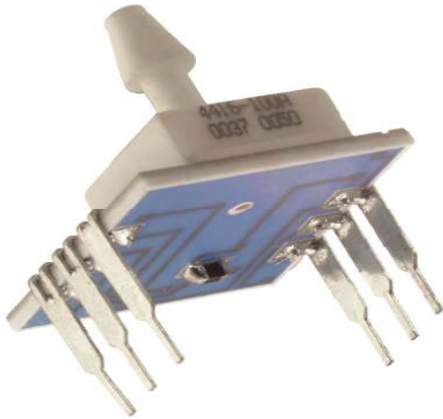


## Model 4416



- PC Board Mountable Pressure Sensor
- mV Output
- Voltage Excitation
- Gage Pressure
- Temperature Compensated

### DESCRIPTION

The 4416 is a temperature compensated, piezoresistive silicon pressure sensor packaged in a dual-in-line configuration and intended for cost sensitive applications where excellent performance at low pressure ranges is required.

Integral temperature compensation is provided over a range of 0-50°C using laser-trimmed resistors. The pressure sensor is available in differential pressure ranges from 0-5 and 0-10 in H<sub>2</sub>O. The pressure ports are 1/8" barbed ports which mate with 3/32" ID tubing. The tube is vertically mounted to the printed circuit board. For a horizontally mounted tube in differential and gage pressure, refer to model 4415. For pressures above 1 psi, refer to the model 4425/4426.

### FEATURES

- Dual-in-Line Package
- Low Pressure Ranges
- 0°C to 50°C Compensated Temperature Range
- ±0.3% Pressure Non-linearity
- Solid State Reliability

### APPLICATIONS

- Respirators/Ventilators
- CPAP/Sleep Apnea Instruments
- Medical Instruments
- Air Flow Management
- HVAC Air Duct Flow
- Leak Detection

### STANDARD RANGES

Range	in H <sub>2</sub> O
0 to 2	•
0 to 4	•
0 to 5	•
0 to 10	•
0 to 20	•
0 to 30	•

# Model 4416

## PERFORMANCE SPECIFICATIONS

Supply Voltage: 12V

Ambient Temperature: 25°C (unless otherwise specified)

PARAMETERS	MIN	TYP	MAX	UNITS	NOTES
Span (See Table Below)				mV	1
Zero Pressure Output	-1	±0.2	1	mV	1
Pressure Non Linearity	-0.5		0.5	% Span	2
Pressure Hysteresis		±0.2		% Span	
Input Resistance	4	15	35	KΩ	
Output Resistance	2750	5000	6000	Ω	
Temperature Error – Span	-1		1	% Span	3
Temperature Error – Zero	-0.75	±0.2	0.75	mV	3
Supply Voltage		12	20	V	
Long Term Stability (Offset & Span)		±0.1		mV	4
Pressure Overload			15X	Rated	
Common Mode Pressure			150	psi	
Compensated Temperature	0		50	°C	
Operating Temperature	-25		+85	°C	
Storage Temperature	-40		+125	°C	
Humidity	0		85	% RH	
Weight			3	grams	
Solder Temperature	260°C Max 5 Sec.				5
Media	Non-Corrosive Dry Gases Compatible with Silicon, Pyrex, RTV, Ceramic & Gold				

### Notes

1. Ratiometric to supply voltage.
2. Best fit straight line.
3. Maximum temperature error between 0°C and 50°C with respect to 25°C.
4. Long term stability over a one year period.
5. For more details refer to 4425/4426 Mounting Application Note.

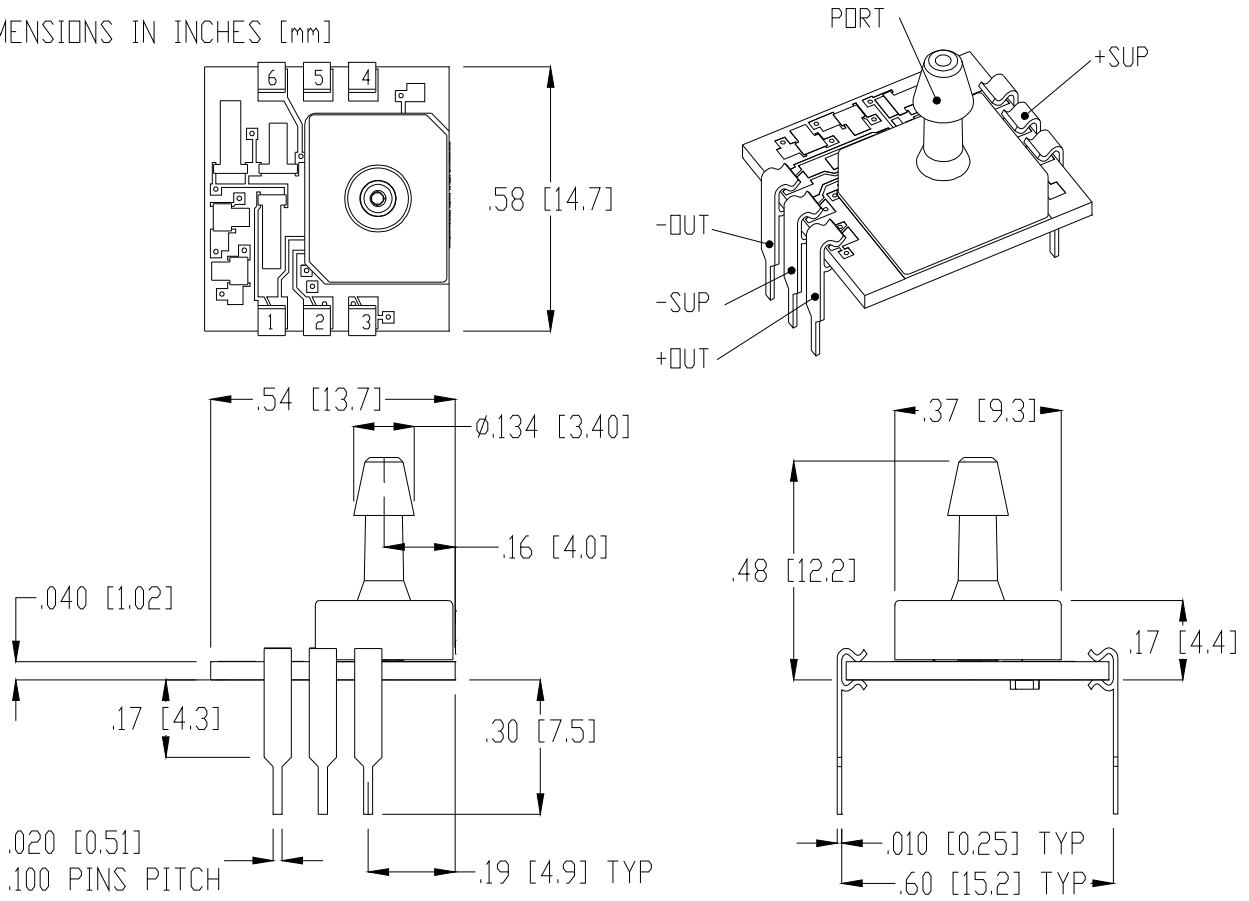
### Span

Range	MIN	TYP	MAX
0 to 2	19.5	20	20.5
0 to 4	39.5	40	40.5
0 to 5	19.5	20	20.5
0 to 10	39.5	40	40.5
0 to 20	79.5	80	80.5
0 to 30	119.5	120	120.5

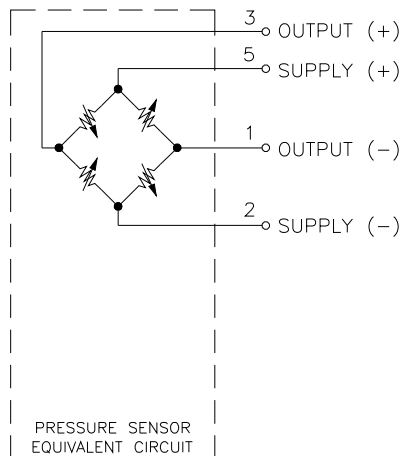
# Model 4416

## DIMENSIONS

DIMENSIONS IN INCHES [mm]

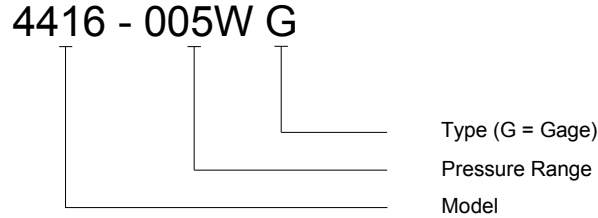


## CONNECTIONS



# Model 4416

## ORDERING INFORMATION



The information in this sheet has been carefully reviewed and is believed to be accurate; however, no responsibility is assumed for inaccuracies. Furthermore, this information does not convey to the purchaser of such devices any license under the patent rights to the manufacturer. Measurement Specialties, Inc. reserves the right to make changes without further notice to any product herein. Measurement Specialties, Inc. makes no warranty, representation or guarantee regarding the suitability of its product for any particular purpose, nor does Measurement Specialties, Inc. assume any liability arising out of the application or use of any product or circuit and specifically disclaims any and all liability, including without limitation consequential or incidental damages. Typical parameters can and do vary in different applications. All operating parameters must be validated for each customer application by customer's technical experts. Measurement Specialties, Inc. does not convey any license under its patent rights nor the rights of others.