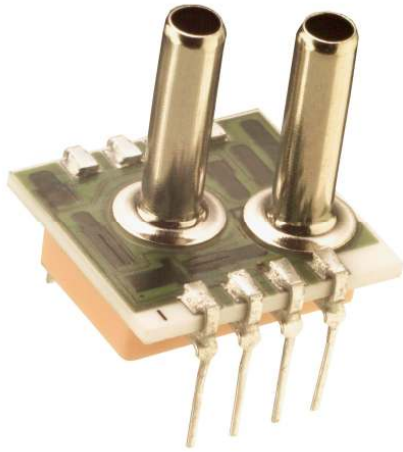


Model 1210 Sub psi



- PC Board Mountable Pressure Sensor
- 40 mV Output Typical
- Differential Pressures
- Metal Tube and Ceramic Barbed Ports
- Temperature Compensated

DESCRIPTION

The Model 1210 is a temperature compensated, piezoresistive silicon pressure sensor packaged in a dual-in-line configuration. It is intended for cost sensitive applications where excellent performance and long-term stability are required.

Integral temperature compensation is provided over a range of 0-60°C using laser-trimmed resistors. An additional laser-trimmed resistor is included to normalize pressure sensitivity variations by programming the gain of an external differential amplifier. This provides sensitivity interchangeability of $\pm 1\%$. Differential pressure ranges from 0-5 to 0-10 in H₂O are available. Multiple leads, metal or ceramic barbed tubes are available for specific applications.

Please refer to the 1210 1 psi and standard datasheet for information on products with operating pressures greater than 1psi.

FEATURES

- Dual-in-Line Package
- Ceramic Barbed Ports Option
- $\pm 0.5\%$ Non Linearity
- $\pm 1.0\%$ Temperature Performance
- 1.0% Interchangeable Span (provided by gain set resistor)
- Solid State Reliability

APPLICATIONS

- Sleep Apnea
- Respirators/Ventilators
- Air Duct Flow
- Medical Instrumentation

STANDARD RANGES

Range	in H ₂ O
0 to 5	•
0 to 10	•

Model 1210 Sub psi

PERFORMANCE SPECIFICATIONS

Supply Current: 1.5 mA

Ambient Temperature: 25°C (unless otherwise specified)

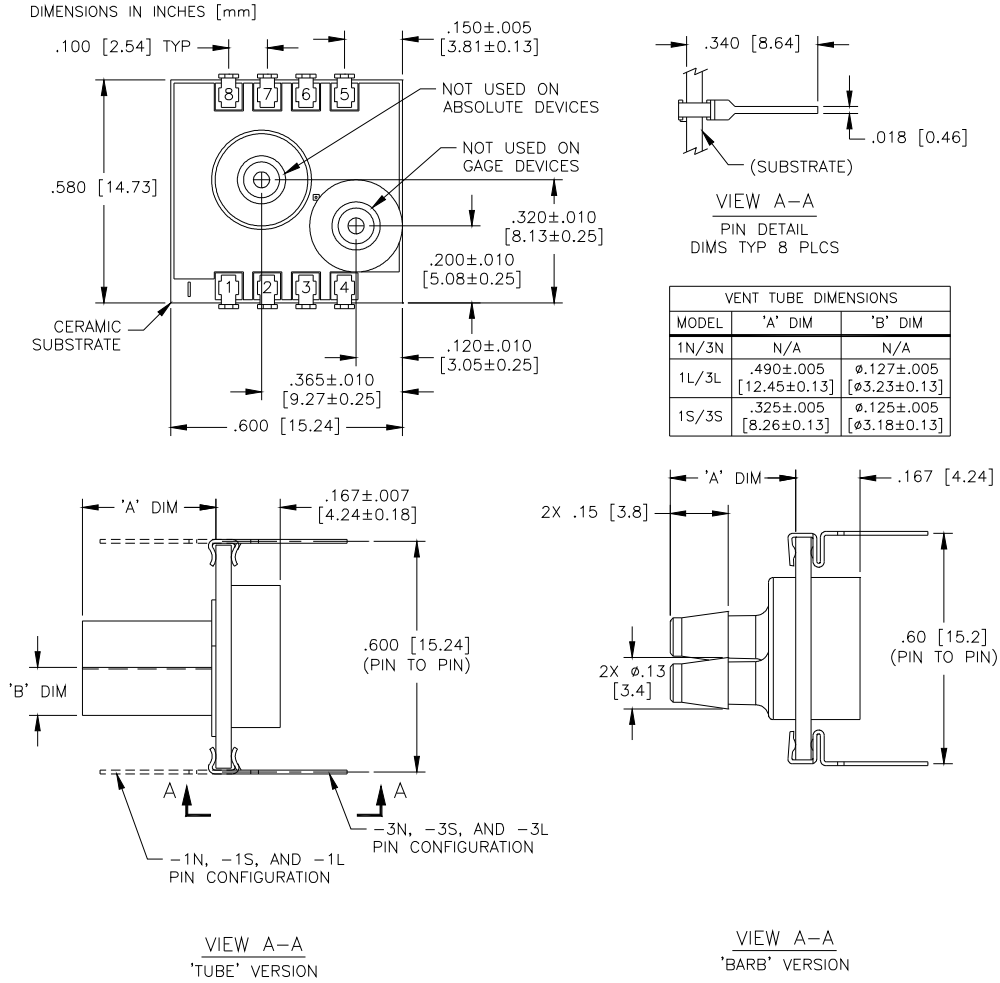
PARAMETERS	MIN	TYP	MAX	UNITS	NOTES
Span	25	40	75	mV	1
Zero Pressure Output	-2		2	mV	
Pressure Non Linearity	-0.5	±0.3	0.5	% Span	2
Pressure Hysteresis	-0.1	±0.03	0.1	% Span	
Input & Output Resistance	1800	3600	4500	Ω	
Temperature Error – Span	-1.0	±0.5	1.0	% Span	3
Temperature Error – Zero	-1.25	±0.5	1.25	% Span	3
Thermal Hysteresis – Zero		±0.1		% Span	3
Supply Current		1.5	2.0	mA	
Response Time (10% to 90%)		1.0		mS	4
Output Noise (10Hz to 1kHz)		1.0		μV p-p	
Long Term Stability		±0.2		%Span	5
Pressure Overload			200	In H ₂ O	
Compensated Temperature	0		60	°C	
Operating Temperature	-25		+85	°C	
Storage Temperature	-40		+125	°C	
Weight			3	grams	
Media	Non-Corrosive Dry Gases Compatible with Silicon, Pyrex, RTV, Gold, Ceramic, Nickel, and Aluminum				

Notes

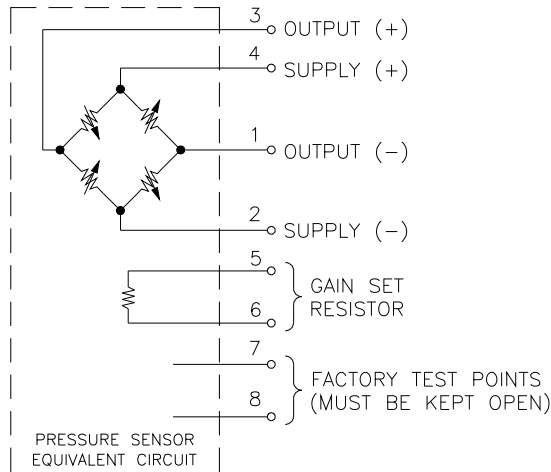
1. Ratiometric to supply current.
2. Best fit straight line.
3. Maximum temperature error between 0°C and 60°C with respect to 25°C.
4. For a zero-to-full scale pressure step change.
5. Long term stability over a one year period with constant current and temperature.

Model 1210 Sub psi

DIMENSIONS

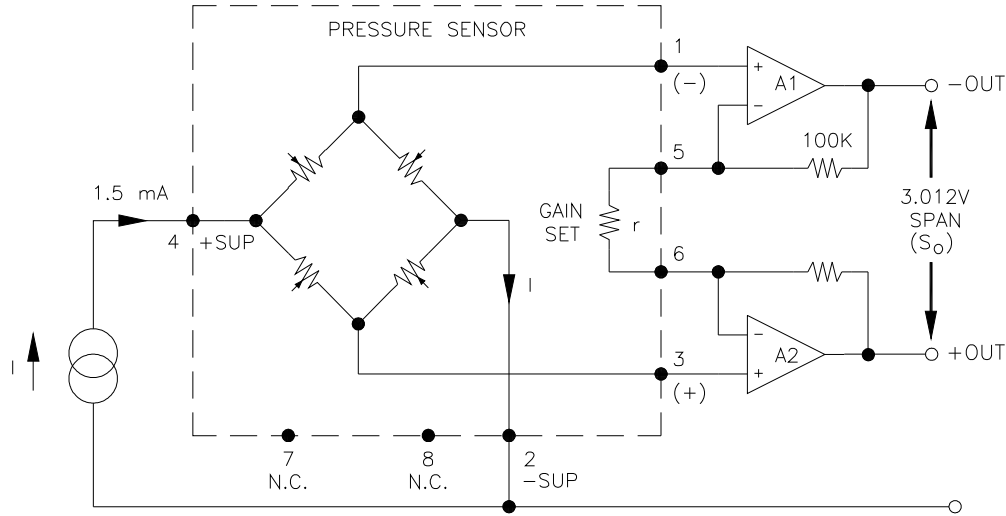


CONNECTIONS



Model 1210 Sub psi

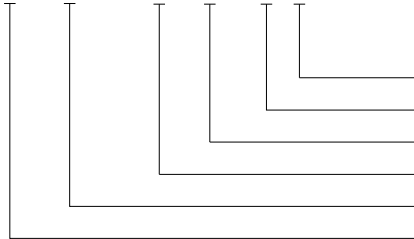
APPLICATION SCHEMATIC



APPLICATION SCHEMATIC

ORDERING INFORMATION

1210 A - 10W D - 3 S



- Pressure Tubes (L = Long, S = Short, N = None, and B = Barbed)
- Lead Configuration (1,3 - See Dimensions Diagram)
- Type (D = Differential)
- Pressure
- Grade
- Model

The information in this sheet has been carefully reviewed and is believed to be accurate; however, no responsibility is assumed for inaccuracies. Furthermore, this information does not convey to the purchaser of such devices any license under the patent rights to the manufacturer. Measurement Specialties, Inc. reserves the right to make changes without further notice to any product herein. Measurement Specialties, Inc. makes no warranty, representation or guarantee regarding the suitability of its product for any particular purpose, nor does Measurement Specialties, Inc. assume any liability arising out of the application or use of any product or circuit and specifically disclaims any and all liability, including without limitation consequential or incidental damages. Typical parameters can and do vary in different applications. All operating parameters must be validated for each customer application by customer's technical experts. Measurement Specialties, Inc. does not convey any license under its patent rights nor the rights of others.