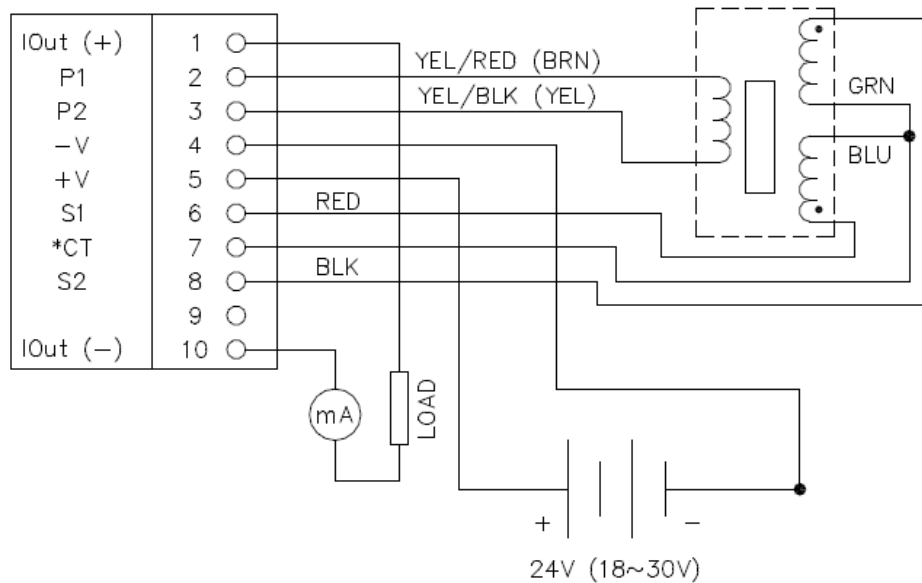


LiM 4-20 LVDT/RVDT Transmitter Module

Specifications

Transducer Excitation	
Voltage	3.5 ±10% V rms (up to 20mA)
Frequency	2.5 kHz
Output	4-20mA
Noise and Ripple	25 micro-Amps rms (max)
Maximum Loop Resistance	500 Ohms (with +24Vdc loop supply)
Sensitivity	0.1 to 5.6Vrms (for FS output)
Fixed Gain	6 (switch selectable)
Adjustable Gain	2.5 to 1
Zero Adjustment	+/- 2.5mA
Non-linearity	0.05%
Frequency Response	50 Hz (nominal) (-3dB)
Temperature Co-efficient	0.01% FSO/°F 0.02% FSO/°C
Operating Temperature	-13°F to +185°F -25°C to +85°C
Gain Controls	20 turn pot (2.5 to 1 ratio)
Input Voltage	18 to 30 Vdc
Input Current	50mA (max)
Stability	<0.05% of FSO (after 30-minute warm-up)

connections



The information in this sheet has been carefully reviewed and is believed to be accurate; however, no responsibility is assumed for inaccuracies. Furthermore, this information does not convey to the purchaser of such devices any license under the patent rights to the manufacturer. Measurement Specialties, Inc. reserves the right to make changes without further notice to any product herein. Measurement Specialties, Inc. makes no warranty, representation or guarantee regarding the suitability of its product for any particular purpose, nor does Measurement Specialties, Inc. assume any liability arising out of the application or use of any product or circuit and specifically disclaims any and all liability, including without limitation consequential or incidental damages. Typical parameters can and do vary in different applications. All operating parameters must be validated for each customer application by customer's technical experts. Measurement Specialties, Inc. does not convey any license under its patent rights nor the rights of others.