

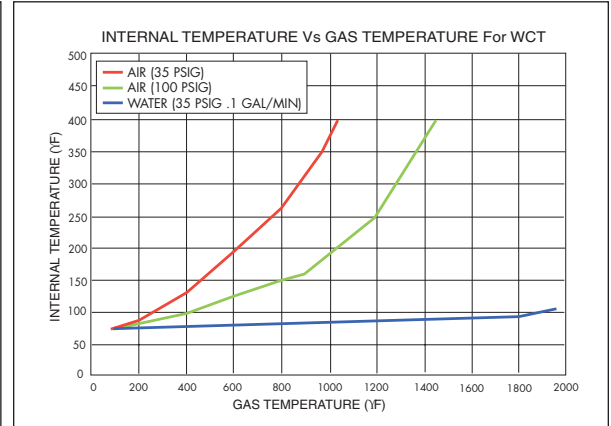
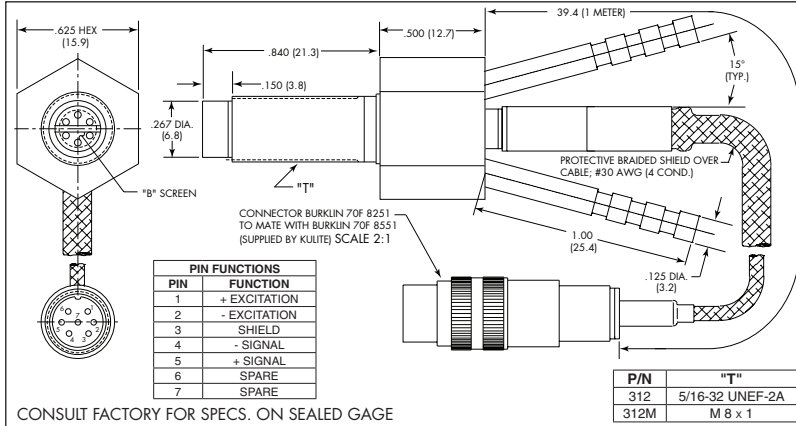
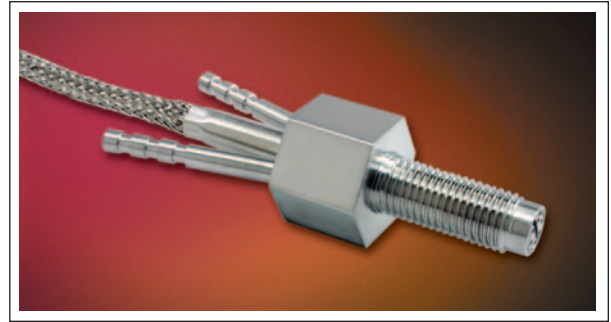


WATER/AIR COOLED IS® TRANSDUCER

WCT-312

- High Signal to Noise Ratio
- Patented Leadless Technology
- No Charge Amp Required
- No Special Cable Required
- Superior Thermal Protection
- Both Dynamic and Static Pressure Capabilities
- Extreme Temperature Capabilities Such As Required In Exhaust Systems

Kulite introduces a new small and compact Water Cooled Pressure Transducer for both dynamic and static pressure measurements in extreme temperature environments such as automotive and turbine exhaust systems. The WCT-312 combines Kulite's patented Low Cost Leadless Silicon Technology and a Miniature Water Cooled Jacket to provide pressure measurement capabilities previously unavailable.



| | | | | | | |
|--|---|----------|-----------|-----------|------------|---------------------|
| INPUT | | | | | | |
| Pressure Range | 1.7 25 | 7 100 | 17 250 | 35 500 | 70 1000 | 210 BAR 3000 PSI |
| Operational Mode | Absolute, Sealed Gage | | | | | |
| Over Pressure | 2 Times Rated Pressure | | | | | |
| Burst Pressure | 3 Times Rated Pressure | | | | | |
| Pressure Media | Compatible With Exhaust Gases and Fluids and Any Media Compatible With SiO ₂ and 15-5 PH Stainless Steel | | | | | |
| Rated Electrical Excitation | 10 VDC/AC | | | | | |
| Maximum Electrical Excitation | 15 VDC/AC | | | | | |
| Input Impedance | 1000 Ohms (Min.) | | | | | |
| OUTPUT | | | | | | |
| Output Impedance | 1000 Ohms (Nom.) | | | | | |
| Full Scale Output (FSO) | 100 mV (Nom.) | | | | | |
| Residual Unbalance | ± 25 mV (Typ.) | | | | | |
| Combined Non-Linearity, Hysteresis and Repeatability | ± 0.1% FSO BFSL (Typ.), ± 0.5% FSO (Max.) | | | | | |
| Resolution | Infinitesimal | | | | | |
| Natural Frequency (KHz) (Typ.) | 240 | 380 | 550 | 700 | 1000 | 1650 |
| Insulation Resistance | 100 Megohm Min. @ 50 VDC | | | | | |
| ENVIRONMENTAL | | | | | | |
| Water Flow Rate | .15 Gal/Min (Typ.) | | | | | |
| Operating Temperature Range | 75°F to 2000°F (24°C to 1093°C) | | | | | |
| Steady Acceleration | 10,000g. (Max.) | | | | | |
| Linear Vibration | 10-2,000 Hz Sine, 100g. (Max.) | | | | | |
| PHYSICAL | | | | | | |
| Electrical Connection | 4 Conductor 30 AWG Protective Braided Shielded Cable 1 Meter Long | | | | | |
| Weight | 50 Grams (Approx.) Excluding Cable | | | | | |
| Pressure Sensing Principle | Fully Active Four Arm Wheatstone Bridge Dielectrically Isolated Silicon on Silicon Patented Leadless Technology | | | | | |
| Mounting Torque | 80-120 Inch-Pounds (Max.) | | | | | |

Note: Custom pressure ranges, accuracies and mechanical configurations available. Dimensions are in inches. Dimensions in parenthesis are in millimeters.

Continuous development and refinement of our products may result in specification changes without notice - all dimensions nominal. (P)