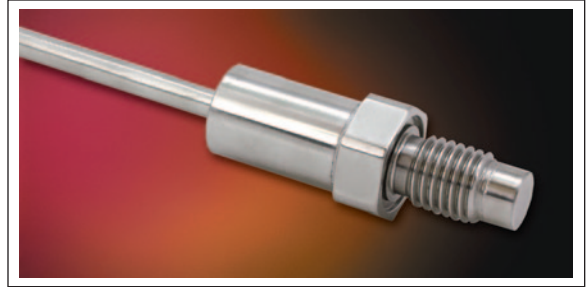




HIGH TEMPERATURE HIGH BANDWIDTH AMPLIFIED GAS TURBINE IS® PRESSURE TRANSDUCER

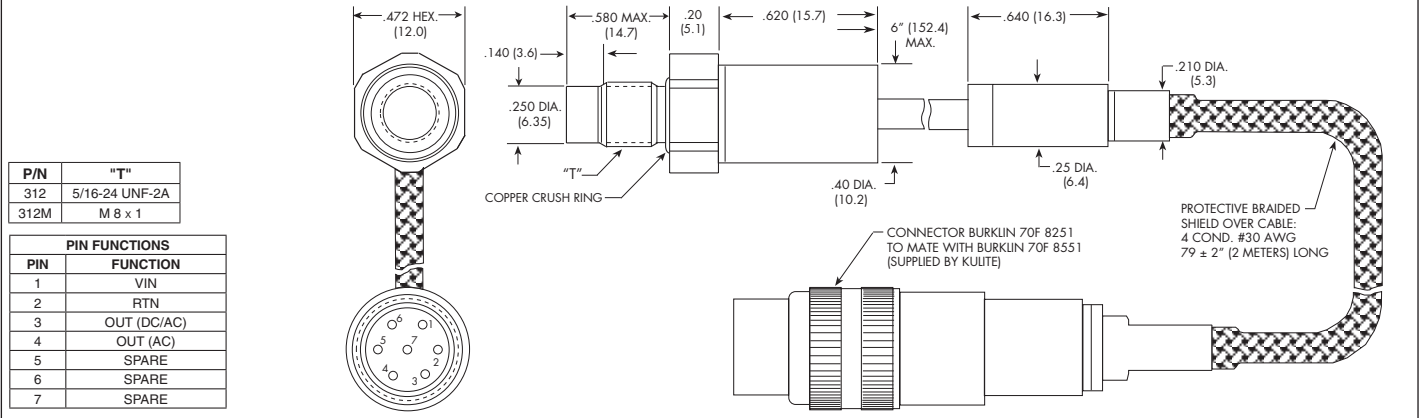
ETMER-GTS-X-HT-312 (M) SERIES

- Miniature, Robust Construction
- High Temperature
- High Bandwidth Amplifier (50 KHZ)
- Separate DC and AC Outputs
- Dynamic and Static Capability
- Excellent Long Term Stability Coupled with High Accuracy



The ETMER-GTS-HT Series are high temperature, extremely rugged pressure transducers which are ideal for the measurement of instabilities and steady pressures in gas turbine combustors and compressors. The front of the transducers can withstand temperatures of 752°F (400°C) while the in-line amplifier can be placed in a cooler area. The amplifier is compatible with both existing and new data acquisition systems with a measurement bandwidth of up to 150KHz, specified by Option X.

CONSULT FACTORY FOR SPECS. ON SEALED GAGE



INPUT	20 35 100 350 BAR
Pressure Range	300 500 1500 5000 PSI
Operational Mode	Absolute, Sealed Gage
Over Pressure	2 Times Rated Pressure
Burst Pressure	3 Times Rated Pressure
Pressure Media	Any Liquid or Gas Compatible With 15-5 PH SS or Inconel 625
ELECTRICAL PERFORMANCE	
Rated Electrical Excitation	12 ± 4VDC or 28 ± 4VDC
Maximum Electrical Current	25 mA
Output Impedance	200 Ohms (Typ.)
Output Range	0.5V to 5V ± 3% (2 Outputs)
Bandwidth (-3dB)	Output 1: DC to 5kHz (Option A), 50kHz (Option B) or 150kHz (Option C) Output 2: AC 10Hz to 5kHz (Option A), 50kHz (Option B) or 150kHz (Option C) (X10 Additional gain)
Output Filter	Low Pass Filter Available per Customer Specification
Residual Unbalance	500mV ±1%
OUTPUT	
Resolution	Infinitesimal
Insulation Resistance	100 Megohm Min. @ 100 VDC
ENVIRONMENTAL	
Operating Temperature Range	-65°F to +752°F (-55°C to +400°C) (Front End) -65°F to +257°F (-55°C to +125°C) (Connector + Amplifier)
Compensated Temperature Range	+80°F to +752°F (+25°C to +400°C)
Thermal Zero Shift	± 2.0% FS/100°F (Typ.)
Thermal Sensitivity Shift	± 2.0% /100°F (Typ.)
Linear Vibration	50g Peak, Sine 10 to 2000 Hz
Humidity	100% Relative Humidity
Mechanical Shock	100g half Sine Wave 11 msec. Duation
PHYSICAL	
Electrical Connection	Burklin 70F 8251 Connector (Mating Connector Supplied)
Weight	25 Grams (Nom.) Excluding Cable and Connector
Pressure Sensing Principle	Fully Active Four Arm Wheatstone Bridge Dielectrically Isolated Silicon on Silicon
Mounting Torque	75 Inch-Pounds (Max.) 8.5 N-m

Note: Custom pressure ranges, accuracies and mechanical configurations available. Dimensions are in inches. Dimensions in parenthesis are in millimeters.

Continuous development and refinement of our products may result in specifications changes without notice. All dimensions are final.