



HIGH TEMPERATURE HIGH BANDWIDTH AMPLIFIED GAS TURBINE IS® PRESSURE TRANSDUCER

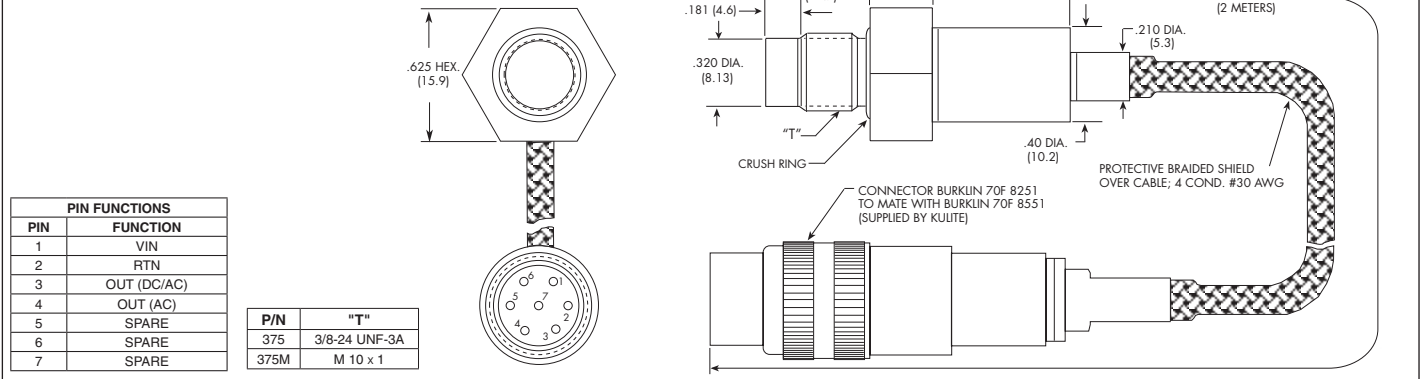
ETMER-GTS-X-375 (M) SERIES

- Miniature, Robust Construction
- High Temperature
- High Bandwidth Amplifier (50 KHZ)
- Separate DC and AC Outputs
- Dynamic and Static Capability
- Excellent Long Term Stability
- Coupled with High Accuracy



The ETMER-GTS Series are high temperature, extremely rugged pressure transducers which are ideal for the measurement of instabilities and steady pressures in gas turbine combustors and compressors. The front of the transducers can withstand temperatures of 662°F (350°C) while the in-line amplifier can be placed in a cooler area. The amplifier is compatible with both existing and new data acquisition systems with a measurement bandwidth of up to 150KHz, specified by Option X.

CONSULT FACTORY FOR SPECS. ON SEALED GAGE



INPUT		20	35	100	350 BAR
Pressure Range		300	500	1500	5000 PSI
Operational Mode		Absolute, Sealed Gage			
Over Pressure		2 Times Rated Pressure			
Burst Pressure		3 Times Rated Pressure			
Pressure Media		Any Liquid or Gas Compatible With 15-5 PH SS or Inconel 625			
ELECTRICAL PERFORMANCE		12 ± 4VDC or 28 ± 4VDC			
Rated Electrical Excitation		25 mA			
Maximum Electrical Current		200 Ohms (Typ.)			
Output Impedance		0.5V to 5V ± 3% (2 Outputs)			
Output Range		Output 1: DC to 5kHz (Option A), 50kHz (Option B) or 150kHz (Option C) Output 2: AC 10Hz to 5kHz (Option A), 50kHz (Option B) or 150kHz (Option C) (X10 Additional gain)			
Bandwidth (-3dB)		Low Pass Filter Available per Customer Specification			
Output Filter		500mV ±1%			
Residual Unbalance		Infinitesimal			
OUTPUT		100 Megohm Min. @ 100 VDC			
Resolution		-65°F to +662°F (-55°C to +350°C) (Front End) -65°F to +257°F (-55°C to +125°C) (Connector + Amplifier)			
Insulation Resistance		+80°F to +572°F (+25°C to +300°C)			
ENVIRONMENTAL		± 2.0% FS/100°F (Typ.)			
Operating Temperature Range		± 2.0% /100°F (Typ.)			
Compensated Temperature Range		50g Peak, Sine 10 to 2000 Hz			
Thermal Zero Shift		100% Relative Humidity			
Thermal Sensitivity Shift		100g half Sine Wave 11 msec. Duation			
Linear Vibration		Burklin 70F 8251 Connector (Mating Connector Supplied)			
Humidity		15 Grams (Nom.) Excluding Cable and Connector			
Mechanical Shock		Fully Active Four Arm Wheatstone Bridge Dielectrically Isolated Silicon on Silicon			
PHYSICAL		75 Inch-Pounds (Max.) 8.5 N-m			
Electrical Connection					
Weight					
Pressure Sensing Principle					
Mounting Torque					

Note: Custom pressure ranges, accuracies and mechanical configurations available. Dimensions are in inches. Dimensions in parenthesis are in millimeters.

Continuous development and refinement of our products may result in specifications changes without notice. All dimensions are final unless otherwise noted.