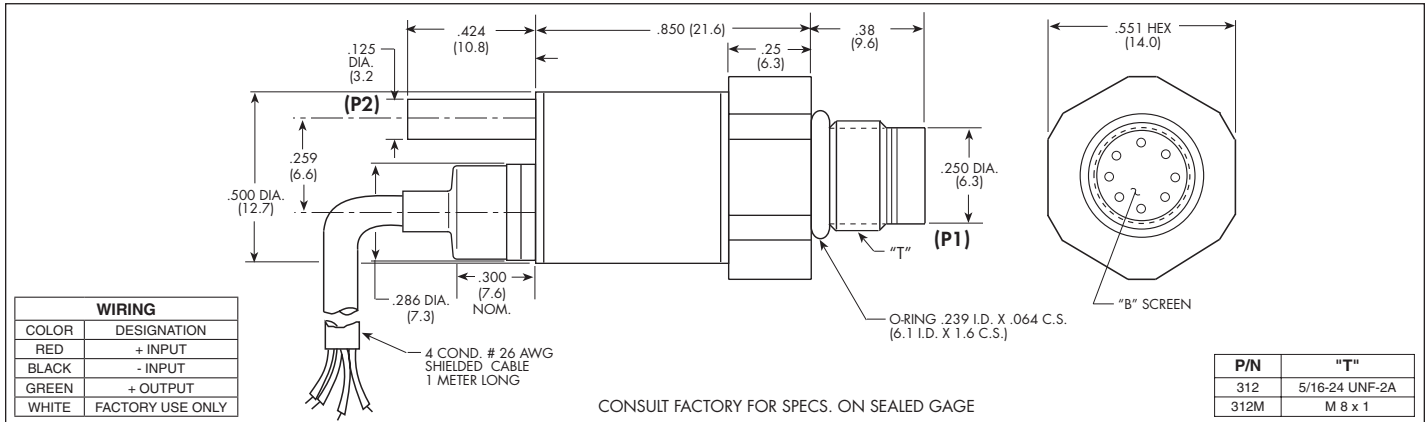


MICROPROCESSOR CORRECTED MINIATURE 5VDC OUTPUT IS® PRESSURE TRANSDUCER

ET-3DC-312(M) SERIES

- Differential Pressure
- Robust Construction
- Microprocessor Corrected
- High Accuracy

The ET-3DC-312 series is a highly accurate unidirectional differential pressure transducer meant to measure very low pressure differences. It is ideal for use in air speed measurements using pitot tubes. It can also be used for flow measurements or any other application where high accuracy is needed when measuring small pressures.



INPUT Pressure Range	.14 2	.35 5	.7 10	1.4 BAR 20 PSI
Operational Mode	Differential			
Over Pressure	2 Times Rated Pressure			
Burst Pressure	3 Times Rated Pressure			
Pressure Media	All Nonconductive, Noncorrosive Liquids or Gases			
Maximum Electrical Current	25 ma (Max.)			
Rated Electrical Excitation	8 - 32 VDC			
OUTPUT Full Scale Output (FSO)	5 VDC			
Zero Unbalance (0 PSID)	0 VDC			
Output Impedance	50 Ohms (Typ.)			
Total Error Band	0.5% (Typ.) <i>(End Point Settings, Combined Non-Linearity, Hysteresis, Repeatability and All Thermal Effects Included)</i>			
Bandwidth (-3dB)	DC to 2500 Hz			
Resolution	Infinitesimal			
Insulation Resistance	100 Megohm Min. at 50 VDC			
ENVIRONMENTAL Operating Temperature Range	-40°F to +280°F (-40°C to +140°C) (Max.)			
Compensated Temperature Range	-40°F to +250°F (-40°C to +120°C)			
Linear Vibration	50g Peak, Sine 10 to 2000 Hz			
Altitude	-150 ft. to +70,000 ft. Will Not Damage Sensor			
Humidity	100% Relative Humidity			
Mechanical Shock	100g half Sine Wave 11 msec. Duration			
PHYSICAL Electrical Connection	4 Conductor Viton Cable 1 Meter Long			
Weight	21 Grams Excluding Cable			
Sensing Principle	Fully Active Four Arm Wheatstone Bridge Dielectrically Isolated Silicon on Silicon			
Torque	80 Inch-Pounds (Max.)			

Note: Custom pressure ranges, accuracies and mechanical configurations available. Dimensions are in inches. Dimensions in parenthesis are in millimeters.

Continuous development and refinement of our products may result in specification changes without notice - all dimensions nominal (F)