

Limit and Enclosed Switches

Typical Applications

SENSOR 传感与控制 <http://www.sensor-ic.com/> TEL:0755-83376549 FAX:0755-83376182 E-MAIL:szss20@163.com

Limit Switches

Various limit switches provide years of application proven reliability even in the most demanding environmental conditions.

TYPICAL APPLICATIONS

- Material handling
- Breweries
- Packaging machinery
- Wood products
- Special machinery
- Garbage compactors/trucks
- Valves
- Foundry equipment

Enclosed Switches

They feature wide variety with precision operating characteristics.

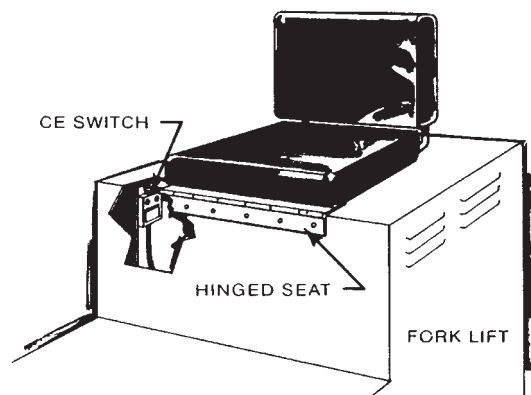
Explosion-Proof Switches

MICRO SWITCH explosion-proof switches contain and cool the escaping hot gases that otherwise could cause an explosion outside the switch. Most of them are UL-CSA listed.

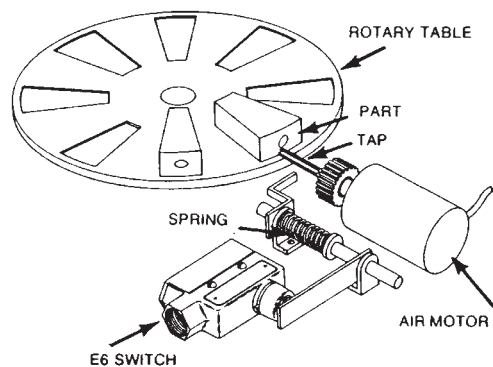
TYPICAL APPLICATIONS

- Petroleum plants
- Chemical plants
- Waste treatment facilities
- Power generating stations
- Hazardous material handling
- Grain storage/handling
- Deep sea oil well platforms

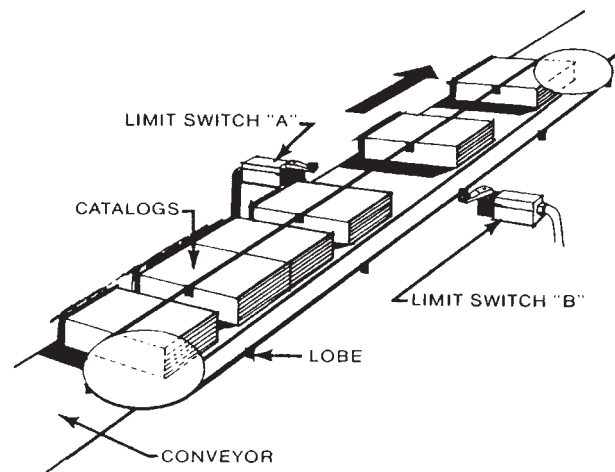
Seat Ignition Switch



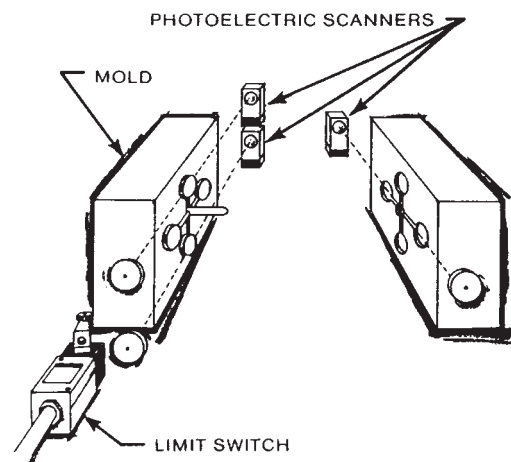
Broken Tap



Conveyor



Molding Operations



Valve Position

