

Flashlamps for Professional Photography



Excelitas offers a wide variety of lamp designs for the Professional Photography market. All our lamps are designed for highly stable light output and high efficiency to meet the special requirements of the most demanding photographers. Special Sunlight Coatings to simulate daylight are available.



Special envelope materials, shapes, electrodes and custom glass caps allow us to customize any lamp to meet customer needs. Our expert application engineers will work with you to find the best solution and offer ongoing support in the development of customized flashlamps. A highly-qualified staff and automated electrode production enable us to guarantee reproducible quality for years to come.

Features

- ▶ Wide variety of lamp designs, including different shapes and sizes made of hard glass and quartz
- ▶ Highly stable light output
- ▶ High efficiency
- ▶ Sunlight Coating
- ▶ Customization of lamps with trigger electrodes, end caps, glass covers, flexible or rigid wires

Applications

- ▶ Professional studio photography

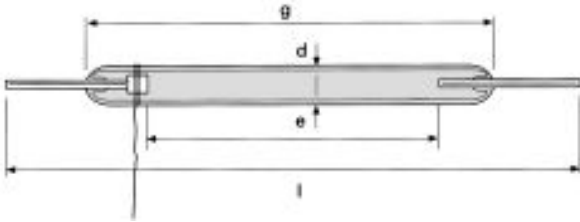


Fig. 1



Fig. 2

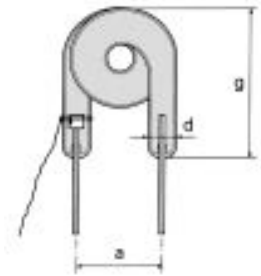


Fig. 3

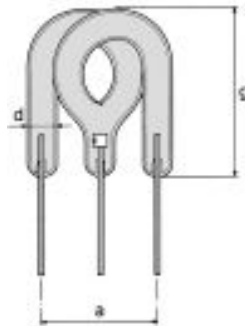


Fig. 4

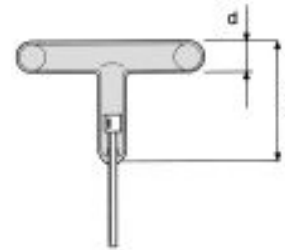
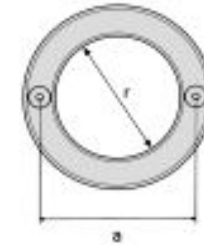


Fig. 5



Type	Figure	Energy / Ws	Anode Voltage / V			Dimensions / mm					
			min	nom	max	e	g	l	d	r	a
CG 6345	1	80	270	330	360	45	68	72	4.50	-	-
CG 8560	1	140	280	360	380	60	84	97	5.45	-	-
NG 6901**	1	120	640	660	700	130	160	240	10	-	-
DG 7650	1	200	300	330	360	50	76	238	6	-	-
EG 9902	1	1500	420	500	700	200	230	388	12	-	-
DU 8901-1	2	250	400	500	600	-	60	-	10	-	14
DU 8902-1	2	500	400	500	660	-	60	-	10	-	14
BU 9902	2	3000	300	500	700	-	94	-	14	-	34
DW 7701-1	3	150	400	500	550	-	32	-	7	-	20
DW 7703-1	4	150	400	500	550	-	35	-	7	-	20
DW 8790-2	4	500	400	500	600	-	34	-	7	-	21
OR 9901**	5	2000	450	550	700	-	8	-	12	40	52
AR 6690	6	100	160	360	400	-	49	-	6	25	15
DR 6702	7	100	300	360	500	-	-	-	6	49	3
DR 7760	8	230	350	500	550	-	40	19	7	13	9
OR 8902**	9	230	350	550	650	-	28	-	10	57	26
MR 8995**	9	240	220	340	360	-	22	-	9	25	12
NR 8901**	9	330	280	360	600	-	35	-	10	45	20
BR 8980	10	460	280	300	310	-	30	-	12	-	61
MR 9902**	9	500	200	300	400	-	28	-	13	54	26
QR 9902**	9	960	600	960	1000	-	20	-	10	59	19
OR 9902**	11	1200	400	700	1200	-	22	-	10	47	28
DR 9902	9	1500	350	550	670	-	28	-	10	57	26
PR 9902**	11	2000	500	600	700	-	24	-	12	47	28
FR 9902-1	9	3200	700	800	1000	-	40	-	11	36	19
DR 9901	9	4000	600	800	1000	-	37	-	13	53	25

* Borosilicate glass B1 (standard glass): Automatic processing ability. Many tube diameters available.
 Borosilicate glass B2: Withstands approx. 30% more power than B1. Requires manual processing.
 Quartz glass Q1: UV transparent.
 ** With Special Sunlight Coating



Fig. 6

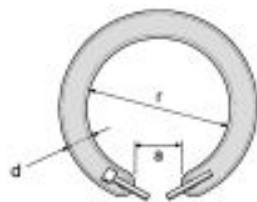


Fig. 7

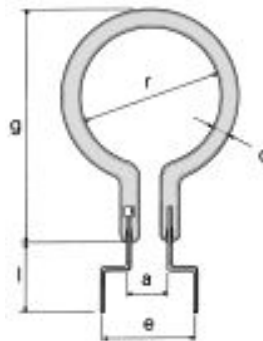


Fig. 8

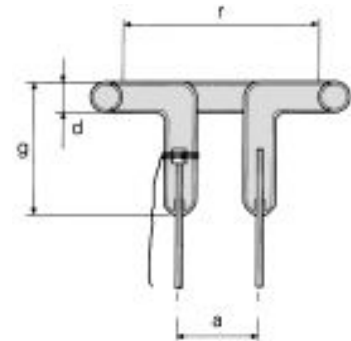


Fig. 9



Fig. 10

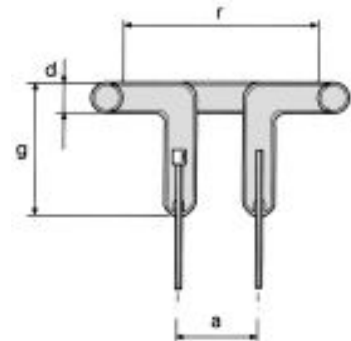


Fig. 11

Flashes per min	Life Flashes	Envelope Material	Recommendations Trigger Coil	Trigger Capacitor / μF	Primary Trigger Voltage / V
6	3000	B 1*	ZS 1052	0.1	180
6	10000	B 1*	ZS 1052	0.1	200
20	10000	B 2*	ZS 1052	0.22	250
6	10000	Q 1*	ZS 1052	0.1	150
12	10000	Q 1*	ZS 1052	0.22	300
6	10000	B 1*	ZS 1052	0.1	200
6	10000	Q 1*	ZS 1052	0.22	200
6	10000	Q 1*	ZS 1031	0.22	250
6	10000	B 1*	ZS 1052	0.22	200
6	10000	B 1*	ZS 1052	0.22	200
6	10000	Q 1*	ZS 1052	0.22	220
6	10000	Q 1*	ZS 1031	1	350
3	10000	B 2*	ZS 1052	0.1	160
6	10000	B 1*	ZS 1052	0.22	200
3	10000	Q 1*	ZS 1052	0.1	200
6	10000	B 2*	ZS 1052	0.22	200
6	10000	B 2*	ZS 1052	0.1	160
6	10000	B 2*	ZS 1052	0.22	250
6	70000	B 2*	ZS 1052	0.047	280
6	10000	B 2*	ZS 1052	0.22	200
6	10000	B 2*	ZS 1052	0.22	250
6	10000	Q 1*	ZS 1052	0.22	200
6	15000	Q 1*	ZS 1502	0.22	200
6	10000	Q 1*	ZS 1052	0.22	200
4	5000	Q 1*	ZS 1031	0.22	300
6	10000	Q 1*	ZS 1031	0.22	300

Trigger Transformer Recommendations

Optimal flash module performance and reliability is essential. With that in mind, Excelitas designs and manufactures trigger coils and transformers for a wide range of specifications - all based on our customers' specific flash applications. Please refer to our Trigger Transformer datasheet to learn which trigger transformer matches your specific lamp and application.

Your Partner of Choice

With a broad customer base in all major markets, built on ninety years of solid trust and cooperation with our customers, Excelitas is recognized as a reliable partner that delivers high quantity, customized, and superior “one-stop” solutions. Our products - from lamps to trigger transformers, reflectors, power supplies, and more - meet the highest qualitative and environmental standards. Our worldwide Centers of Excellence along with our Customer and Technical Support teams always work with you to find the best solutions for your specific needs.

Excelitas

Excelitas is a global technology leader providing market-driven, integrated solutions for a wide range of applications, which leverage our lighting, sensors, and imaging expertise. Our technologies, services and support are fueling the medical, genomic and digital revolutions by enhancing our customers’ productivity, optimizing performance, and accelerating time-to-market.

So contact us and put Excelitas’ expertise to work in your demanding lighting applications. Let us show you how our innovations will help you deliver the perfect product.

European Headquarters
Excelitas Technologies
Wenzel-Jaksch-Str. 31
65199 Wiesbaden, Germany
Telephone: (+49) 611-492-269
Fax: (+49) 611-492-132
generalinquiries@excelitas.com

Asia Headquarters
Excelitas Technologies
47 Ayer Rajah Crescent #06-12
Singapore 139947
Telephone: (+65) 67704-306
Fax: (+65) 67751-008

Worldwide Headquarters
Excelitas Technologies
44370 Christy Street
Fremont, CA 94538-3180
Telephone: +1 510-979-6500
Toll free: (North America) +1 800-775-OPTO (6786)
Fax: +1 510-687-1140
www.excelitas.com



For a complete listing of our global offices, visit www.excelitas.com

©2011 Excelitas Technologies Corp. All rights reserved. The Excelitas logo and design are registered trademarks of Excelitas Technologies Corp. All other trademarks not owned by Excelitas Technologies Corp. or its subsidiaries that are depicted herein are the property of their respective owners. Excelitas reserves the right to change this document at any time without notice and disclaims liability for editorial, pictorial or typographical errors.

600004_01 DTS0904P