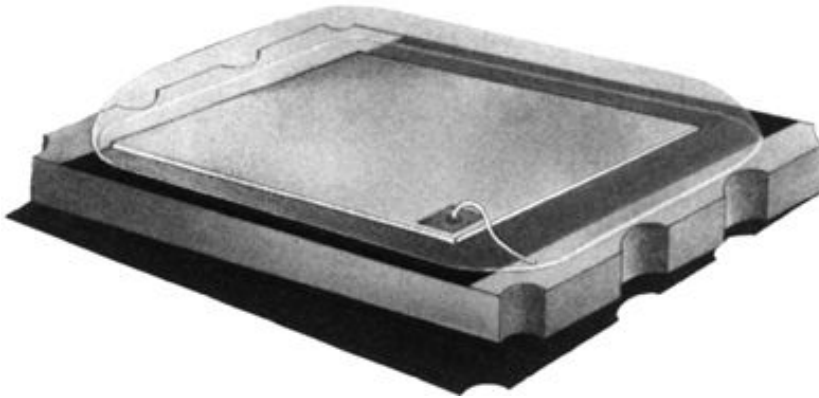


CERLED[®]

SMD Chip Detector

SMD - Receiver
PFD 10 Photo Pin Diode -H*

*RohS-conform



Description

Real surface mount component with a FR4 chip base.

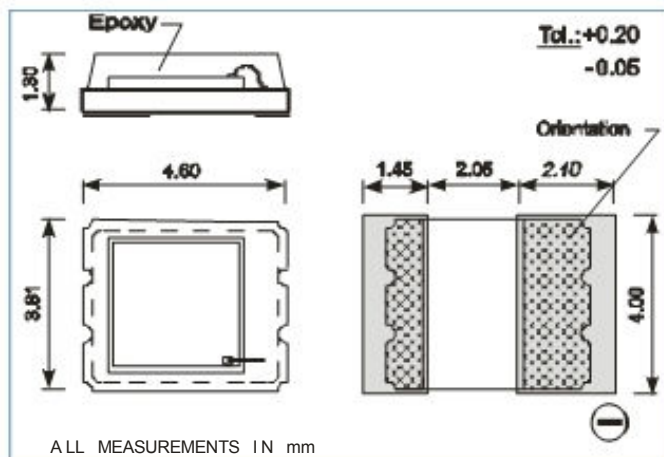
The silicon Photo PIN Diode provides the positive side on the front and the negative side on the FR4 contact base.

With its low height of 1.3 mm, the component is suitable for many applications with limited space. With its large solder pads, mounting on flexible foil is possible.

Delivery in blister tape on request.

Features and Benefits

- ▶ High reliability
- ▶ Fast response time
- ▶ Small junction capacitance
- ▶ Low noise
- ▶ High photo sensitivity
- ▶ Large radiant sensitivity area of 6.40 mm²
- ▶ Chip Size : 2.92 mm x 2.92 mm
- ▶ Active Area: 2.59 mm x 2.59 mm



Maximum Ratings at 25° C

Reverse Voltage	V_R	32 V
Power dissipation	P_V	200 mW
Junction temperature	T_j	80° C
Storage temperature	T_{stg}	-25° C to 120° C
Operating temperature	T_{op}	-25° C to 80° C
Soldering temperature	T_{sold} (10 s)	240° C

Optical and Electronic Characteristics at 25° C

Photodiode operation

		typ	max	unit
Reverse dark current ($V_R = 10$ V, $E_E = 0$ mW/cm ²)	I_R	5	30	nA
Light reverse current ($V_R = 5$ V, $E_E = 5$ mW/cm ²)	I_{SC}	66		μA
Sensitivity ($V_R = 10$ V, $\lambda = 880$ nm)	S	0.6		A/W
Junction capacitance ($V_R = 3$ V, $f = 1$ MHz, $E_E = 0$ mW/cm ²)	C_j	25		pF
Open circuit voltage ($E_E = 5$ mW/cm ²)	V_o	350		mV

Switching characteristics (VR = 10 V, RL = 1 K Ohm)

Turn on time (880nm)	t_{on}	200		ns
Turn off time (880nm)	t_{off}	200		ns
Peak sensitivity wavelength	λ_{max}	880		nm
Range of spectral bandwidth	λ	530 ... 1000		nm
Range of spectral bandwidth with daylight filter	λ	750 ... 1000		nm

Excelitas Technologies
European Customer
Support for LED Solutions
 Luitpoldstrasse 6
 85276 Pfaffenhofen, Germany
 Telephone: (+49)8441-8917-0
 Fax: (+49)8441-71910
generalinquiries@excelitas.com

European Headquarters
 Wenzel-Jaksch-Strasse 31
 65199 Wiesbaden, Germany
 Telephone: (+49)611-492-247
 Fax: (+49)611-492-170

North America
Customer Support Hub
 22001 Dumberry Road
 Vaudreuil-Dorion, Québec
 Canada J7V 8P7
 Telephone: (+1) 450-424-3300
 (+1) 866-574-6786 (toll-free)
 Fax: (+1) 450-424-3345

Asia Customer Service Hub
 47 Ayer Rajah Crescent #06-12
 Singapore 139947
 Telephone: (+65)6775-2022
 (+65)67704-366
 Fax: (+65)6775-1008

EXCELITAS
 TECHNOLOGIES

For a complete listing of our global offices, visit www.excelitas.com

©2011 Excelitas Technologies Corp. All rights reserved. The Excelitas logo and design are registered trademarks of Excelitas Technologies Corp. CERLED® is a trademark of Excelitas Technologies Corp. or its subsidiaries, in the United States and other countries. All other trademarks not owned by Excelitas Technologies or its subsidiaries that are depicted herein are the property of their respective owners. Excelitas reserves the right to change this document at any time without notice and disclaims liability for editorial, pictorial or typographical errors.
 600155_01 DTS1006