

PYROELECTRIC DUAL ELEMENT DETECTORS FOR MOTION SENSING

PYROELECTRIC DETECTORS FOR MOTION SENSING ■

LHi 778, LHi 878, PYD 1388 – Low Cost Pyro



Applications

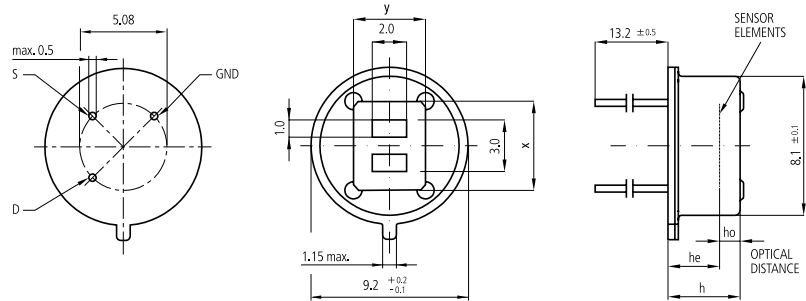
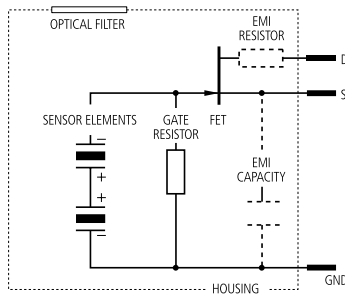
- Auto light switch
- Wall switch
- Auto lamps

Features and Benefits

- TO-5 metal housing
- Different window sizes
- EMI protection for PYD1388

Product Description

This low cost Dual Element detector range offers standard TO-5 housings with different window sizes. The LHi 778 has a smaller window for minimal cost. The PYD1388 has an additional EMI protection option.



All dimensions in mm

LHi 778, LHi 878, PYD 1388 – Low Cost Pyro

Parameter	Symbol	LHI 778	PYD 1388	LHI 878	Unit	Remark
Responsivity, min.	R_{min}	3.3	3.3	3.3	kV/W	$f = 1 \text{ Hz}$
Responsivity, typ.	R_{typ}	4.2	4.2	4.2	kV/W	$f = 1 \text{ Hz}$
Match, max.	M_{max}	10	10	10	%	
Noise, max.	N_{max}	50	50	50	μV_{pp}	0.4...10 Hz / 20°C
Noise, typ.	N_{typ}	20	20	20	μV_{pp}	0.4...10 Hz / 20°C
Spec. detectivity	D^*	20	20	20	$10^7 \text{ cm}^* / \text{Hz/W}$	1 Hz / 1 Hz BW / 20°C
Field of view, horizontal	FoV	71°	95°	95°		Unobstructed
Field of view, vertical	FoV	71°	87°	87°		Unobstructed
Source voltage		0.2 - 1.55	0.2 - 1.55	0.2 - 1.55	V	47 k Ω / 20°C / 5 V
Operating voltage		2.0... 12	2.0... 12	2.0... 12	V	47 k Ω / 20°C
EMI performance		*	**	**		
WLI			**	*		Excelitas tester
Height	h	4.2	4.2	4.2	mm	
Optical element location	he/ho	3.2/0.75	3.2/0.75	3.2/0.75	mm	
Filter size	X/Y	4/3	4.6/3.4	4.6/3.4	mm	

* Improved, ** Excellent