

AngleStar® Digital Protractor

Model DP-45

The AngleStar® Digital Protractor Model DP-45 provides instant digital display of level, angle and tilt. Consists of a rugged electronic sensor, custom circuitry and liquid crystal display in an easy-to-use, hand held battery powered package. Features include alternate reference and display hold. Digital display eliminates the need to interpret a bubble or vernier scale.

Features

- Reads in degrees
- Alternate reference (floating zero)
- Display hold
- High impact plastic carrying case

Applications

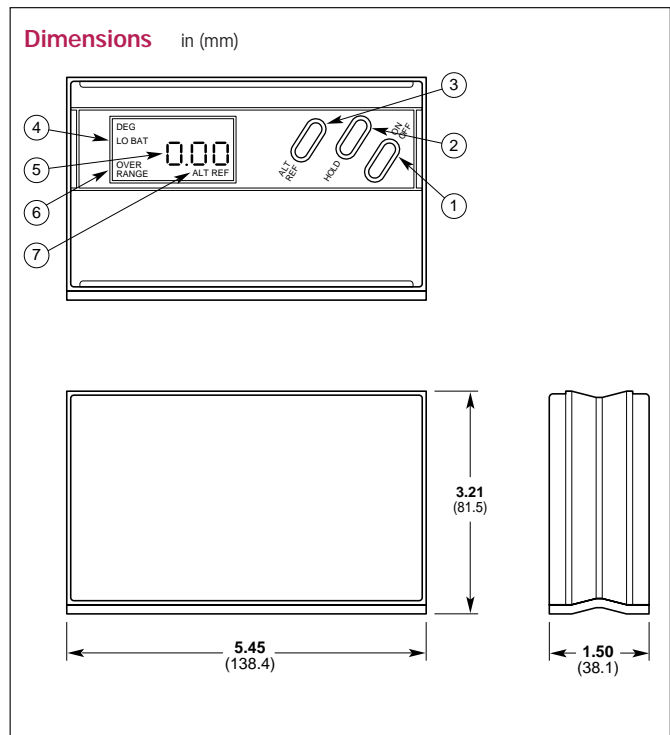
- Driveshaft maintenance
- Antenna positioning
- Race cars
- Machine tooling

1. **ON/OFF** The instrument is powered by a single push of the ON/OFF button. Power is removed by a second push of the same button or after a 10 minute time out period.
2. **HOLD** The display reading on the LCD is retained and flashes when the HOLD button is depressed. Push again to release hold feature.
3. **ALT REF (Floating Zero)** Alternate reference allows you to zero the digital readout anywhere within its range for a quick and accurate measurement of deviations from a reference surface.
4. **LO BAT** LO BAT is displayed on the LCD when the battery voltage drops below 7 volts. The battery should be replaced when this condition exits. Low battery voltage may affect accuracy.
5. **MINUS SIGN** The minus sign (-) indicates an angle in the counterclockwise direction from zero. Absence of the minus sign indicates an angle clockwise from zero.
6. **OVER RANGE** When the instrument is used at an angle that exceeds its measurement range ($\pm 55^\circ$ from level, null) no angular reading will appear on the LCD and OVER RANGE will flash.
7. **ALT REF** Depressing the ALT REF button will zero the display reading to a new reference and "ALT REF" will be displayed on the LCD. A second push of the ALT REF will return the instrument to normal, or gravity referenced mode.



Performance Specifications

Range	$\pm 45^\circ$
Resolution	$\pm 0.1^\circ$
Linearity	$\pm 0.1^\circ$ (0° to 10°)
	1.5% of reading (10° to 45°)
Repeatability	$\pm 0.1^\circ$
Cross Axis Error	<1% up to 45° cross axis angle
Voltage Supply	9 volt battery
Battery Life	100 hours approx.
Temperature Range	
Operating	0° to 65°C
Storage	-40° to 65°C
Weight	12.3 oz (349 gms)



SUNSTAR 商斯达实业集团是集研发、生产、工程、销售、代理经销、技术咨询、信息服务等为一体的高科技企业，是专业高科技电子产品生产厂家，是具有 10 多年历史的专业电子元器件供应商，是中国最早和最大的仓储式连锁规模经营大型综合电子零部件代理分销商之一，是一家专业代理和分销世界各大品牌 IC 芯片和电子元器件的连锁经营综合性国际公司，专业经营进口、国产名厂名牌电子元件，型号、种类齐全。在香港、北京、深圳、上海、西安、成都等全国主要电子市场设有直属分公司和产品展示展销窗口门市部专卖店及代理分销商，已在全国范围内建成强大统一的供货和代理分销网络。我们专业代理经销、开发生产电子元器件、集成电路、传感器、微波光电元器件、工控机/DOC/DOM 电子盘、专用电路、单片机开发、MCU/DSP/ARM/FPGA 软件硬件、二极管、三极管、模块等，是您可靠的一站式现货配套供应商、方案提供商、部件功能模块开发配套商。商斯达实业公司拥有庞大的资料库，有数位毕业于著名高校——有中国电子工业摇篮之称的西安电子科技大学（西军电）并长期从事国防尖端科技研究的高级工程师为您精挑细选、量身订做各种高科技电子元器件，并解决各种技术问题。

更多产品请看本公司产品专用销售网站：

商斯达中国传感器科技信息网：<http://www.sensor-ic.com/>

商斯达工控安防网：<http://www.pc-ps.net/>

商斯达电子元器件网：<http://www.sunstare.com/>

商斯达微波光电产品网：[HTTP://www.rfoe.net/](http://www.rfoe.net/)

商斯达消费电子产品网：<http://www.icasic.com/>

商斯达实业科技产品网：<http://www.sunstars.cn/>

传感器销售热线：

地址：深圳市福田区福华路福庆街鸿图大厦 1602 室

电话：0755-83370250 83376489 83376549 83607652 83370251 82500323

传真：0755-83376182 (0) 13902971329 MSN: SUNS8888@hotmail.com

邮编：518033 E-mail:szss20@163.com QQ: 195847376

深圳赛格展销部：深圳华强北路赛格电子市场 2583 号 电话：0755-83665529 25059422

技术支持：0755-83394033 13501568376

欢迎索取免费详细资料、设计指南和光盘；产品凡多，未能尽录，欢迎来电查询。

北京分公司：北京海淀区知春路 132 号中发电子大厦 3097 号

TEL: 010-81159046 82615020 13501189838 FAX: 010-62543996

上海分公司：上海市北京东路 668 号上海赛格电子市场 2B35 号

TEL: 021-28311762 56703037 13701955389 FAX: 021-56703037

西安分公司：西安高新开发区 20 所(中国电子科技集团导航技术研究所)

西安劳动南路 88 号电子商城二楼 D23 号

TEL: 029-81022619 13072977981 FAX:029-88789382