

# Magnetometers

## MICRO-ORIENTATION SENSOR

- ▼ High Accuracy – Operates to 70°C
- ▼ Calculates and Outputs Roll, Pitch, Yaw Data
- ▼ Miniature Size:  
0.80" x 0.80" x 4.6"
- ▼ Digital Serial Output
- ▼ Contains a 3-axis Magnetometer and a 3-axis Accelerometer



## Applications

- ▼ Borehole Logging
- ▼ Buoy Orientation
- ▼ Magnetic Compassing
- ▼ Towed Sonar Arrays

## CXM544

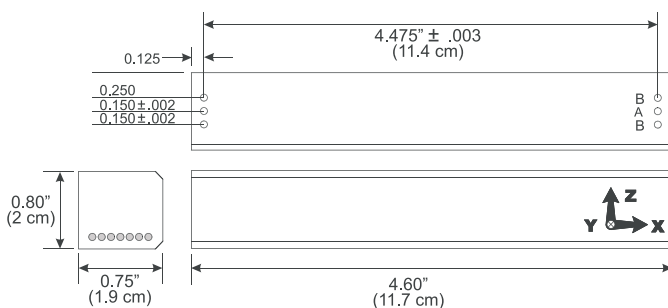
The CXM544 system contains a micro-machined 3-axis accelerometer and a high accuracy 3-axis fluxgate magnetometer. These sensors are sampled by an internal A/D converter and microprocessor subsystem that outputs 16-bit digital data representing the magnetometer and accelerometer readings and the calculated roll, pitch and azimuth orientation angles of the CXM544 system.

All of the system electronics, including the accelerometer and magnetometer sensors are mounted in a miniature rectangular package of dimensions 0.80" x 0.80" x 4.6". Users can select from either +5 VDC or +7 to +12 VDC by choosing the appropriate input signals.

The CXM544 communicates through a bidirectional serial data link, which can be selected from either TTL compatible or RS-232 compatible protocols, at a user programmable data transfer rate of up to 9600 baud. The CXM544 uses an ASCII command set, but the user can enable a high-speed binary communications protocol.

The CXM544 scale factors, zero-bias factors and alignment angles are factory calibrated by placing the system into precision rotational and magnetic field-applying fixtures. Scale and offset calibration factors are calibrated over the 0 to 70°C temperature range. The integral microprocessor uses this system calibration data (stored in EEROM) to correct for alignment, scale and offset factors at any given temperature.

The magnetometer noise level is  $5 \times 10^{-6}$  Gauss and the accelerometer noise level is  $2 \times 10^{-4}$  g. The maximum data throughput is approximately 3 readings/sec if all 6 outputs are transmitted. When viewed as a roll, pitch, and yaw sensor, the temperature compensated CXM544 system has an overall accuracy of  $\pm 0.5^\circ$  for roll and pitch and  $\pm 1.5^\circ$  for azimuth.



Specifications	CXM544
<b>Performance</b>	
Angular Accuracy	
Roll and Pitch (°)	± 0.5
Azimuth (°)	± 1.5
Noise level Magnetometer (Gauss)	5 x 10 <sup>-6</sup>
Noise level Accelerometer (g)	2 x 10 <sup>-4</sup>
Linearity (% FS)	± 0.1
Axis Alignment (°)	± 0.2
Alignment of Axes w/ Package Reference Frame (°)	± 0.2
Serial Output	RS-232 or TTL
<b>Electrical</b>	
Power	+5V @ 55 mA or +7 to +12V @ 65 mA
<b>Physical</b>	
Size	0.80" x 0.75" x 4.6" (2 x 1.9 x 11.68 cm)
Weight	1.61 oz (50 gm)
Leads	Flying leads 6" (15.24 cm) long

Wire Color	Function
Red	+7 to +12 VDC
Black	Ground
White/Red	+5 VDC
Orange	RS-232 serial in
Yellow	RS-232 serial out
White/Orange	TTL serial in
White/Yellow	TTL serial out

Pin Diagram

Specifications subject to change without notice



magnetometers

Ordering Information

Model	Description
CXM544	Digital 3-axis Magnetometer

**SUNSTAR 商斯达实业集团**是集研发、生产、工程、销售、代理经销、技术咨询、信息服务等为一体的高科技企业，是专业高科技电子产品生产厂家，是具有 10 多年历史的专业电子元器件供应商，是中国最早和最大的仓储式连锁规模经营大型综合电子零部件代理分销商之一，是一家专业代理和分销世界各大品牌 IC 芯片和电子元器件的连锁经营综合性国际公司，专业经营进口、国产名厂名牌电子元件，型号、种类齐全。在香港、北京、深圳、上海、西安、成都等全国主要电子市场设有直属分公司和产品展示展销窗口门市部专卖店及代理分销商，已在全国范围内建成强大统一的供货和代理分销网络。我们专业代理经销、开发生产电子元器件、集成电路、传感器、微波光电元器件、工控机/DOC/DOM 电子盘、专用电路、单片机开发、MCU/DSP/ARM/FPGA 软件硬件、二极管、三极管、模块等，是您可靠的一站式现货配套供应商、方案提供商、部件功能模块开发配套商。商斯达实业公司拥有庞大的资料库，有数位毕业于著名高校——有中国电子工业摇篮之称的西安电子科技大学（西军电）并长期从事国防尖端科技研究的高级工程师为您精挑细选、量身订做各种高科技电子元器件，并解决各种技术问题。

更多产品请看本公司产品专用销售网站：

商斯达中国传感器科技信息网：<http://www.sensor-ic.com/>

商斯达工控安防网：<http://www.pc-ps.net/>

商斯达电子元器件网：<http://www.sunstare.com/>

商斯达微波光电产品网：[HTTP://www.rfoe.net/](http://www.rfoe.net/)

商斯达消费电子产品网：<http://www.icasic.com/>

商斯达实业科技产品网：<http://www.sunstars.cn/>

传感器销售热线：

地址：深圳市福田区福华路福庆街鸿图大厦 1602 室

电话：0755-83370250 83376489 83376549 83607652 83370251 82500323

传真：0755-83376182 (0) 13902971329 MSN: [SUNS8888@hotmail.com](mailto:SUNS8888@hotmail.com)

邮编：518033 E-mail:[szss20@163.com](mailto:szss20@163.com) QQ: 195847376

深圳赛格展销部：深圳华强北路赛格电子市场 2583 号 电话：0755-83665529 25059422

技术支持：0755-83394033 13501568376

欢迎索取免费详细资料、设计指南和光盘；产品凡多，未能尽录，欢迎来电查询。

北京分公司：北京海淀区知春路 132 号中发电子大厦 3097 号

TEL: 010-81159046 82615020 13501189838 FAX: 010-62543996

上海分公司：上海市北京东路 668 号上海赛格电子市场 2B35 号

TEL: 021-28311762 56703037 13701955389 FAX: 021-56703037

西安分公司：西安高新开发区 20 所(中国电子科技集团导航技术研究所)

西安劳动南路 88 号电子商城二楼 D23 号

TEL: 029-81022619 13072977981 FAX:029-88789382