

# OKI electronic components

## OE3496G

### 1.3 $\mu\text{m}$ Edge-Emitting LED Coaxial Module

#### GENERAL DESCRIPTION

The OE3496G is a coaxial type 1.3  $\mu\text{m}$ , edge-emitting LED module with a single-mode fiber pigtail. This device is an optimal light source for optical LAN systems and optical measurement equipment.

#### FEATURES

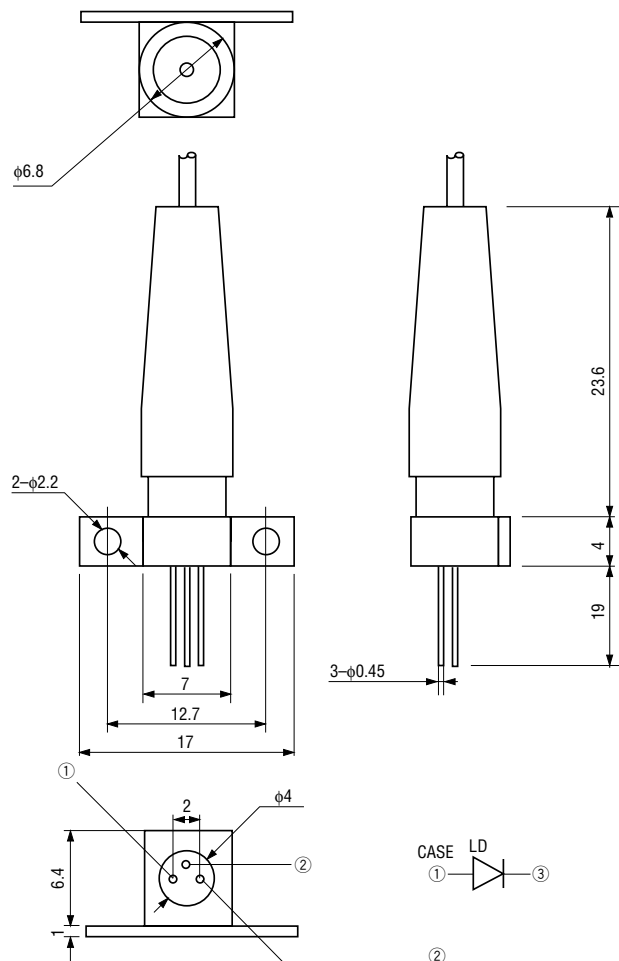
- Single-mode fiber output:  $P_f=40 \mu\text{W}$
- High speed operation

#### APPLICATIONS

- Optical LAN system
- Optical measurement equipment

#### PACKAGE DIMENSIONS (Unit: mm)

##### • OE3496G



**ABSOLUTE MAXIMUM RATINGS**

Parameter	Symbol	Test Conditions	Ratings	Unit
Forward Current	$I_F$	$T_a=25^\circ\text{C}$	150	mA
Reverse Voltage	$V_R$		1	V
Operating Temperature	$T_{opr}$	—	-20 to +65	$^\circ\text{C}$
Storage Temperature	$T_{stg}$	—	-40 to +85	$^\circ\text{C}$

**OPTICAL AND ELECTRICAL CHARACTERISTICS**

(Ta=25°C)

Parameter	Symbol	Test Conditions	Min.	Typ.	Max.	Unit
Fiber Output Power	Pf	$I_F=100\text{ mA}$	40	—	—	$\mu\text{W}$
Peak-emission Wavelength	$\lambda_p$	$I_F=100\text{ mA}$	1270	1300	1330	nm
Spectral Bandwidth	$\Delta\lambda$	$I_F=100\text{ mA}$	—	60	100	nm
Rise Time	$t_r$	Pf=40 $\mu\text{W}$ , 10% to 90%	—	2	—	ns
Fall Time	$t_f$		—	3	—	ns
Forward Voltage	Vf	$I_F=100\text{ mA}$	—	—	2	V

**FIBER PIGTAIL SPECIFICATIONS**

Parameter	Specifications	Unit
Fiber Type	Single-mode	—
Mode Field Diameter	$9\pm 1$	$\mu\text{m}$
Cladding Diameter	$125\pm 2$	$\mu\text{m}$
Jacket Diameter	900	$\mu\text{m}$
Length	1 (Min)	m
Connector	FC	—

### TYPICAL CHARACTERISTICS

- OE3496G

Fiber Output Power vs. Forward Current

