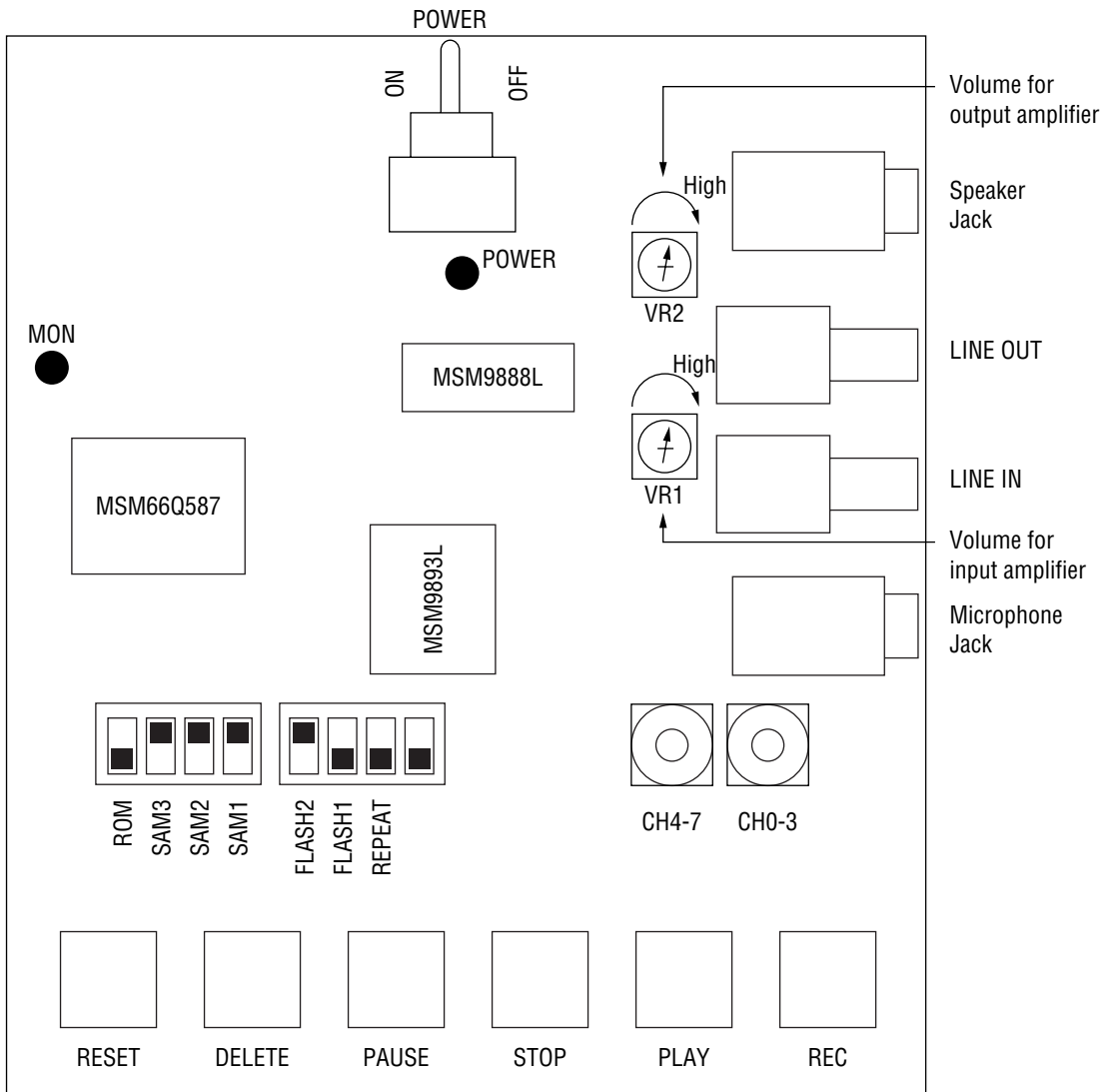


MSM9888L-xxx DEMO BOARD

MSM9888L-xxx DEMONSTRATION BOARD

1. BOARD DESIGN



2. SETTING UP RECORDING PARAMETERS

You can set up parameters for recording by using two HEX switches and two DIP switches.

2.1 Do not change the default setting of FLASH2 and FLASH1 DIP switches. If you happened to change the setting, return them to the default setting and push the RESET button.

2.2 Set REPEAT DIP switch to OFF.

OFF: Playback the specified phrase one time.

ON: Repeat playing back the specified phrase.

2.3 Set ROM DIP switch to OFF.

OFF: Playback a recorded phrase.

ON: Playback a pre-recorded (ROM) phrase.

2.4 Select a sampling frequency by using SAM3, SAM2 and SAM1 DIP switches.

SAM3	SAM2	SAM1	Sampling Frequency
OFF	OFF	OFF	$f_{osc}/2048$ (2.0kHz)
ON	OFF	OFF	$f_{osc}/1536$ (2.7kHz)
OFF	ON	OFF	$f_{osc}/1280$ (3.2kHz)
ON	ON	OFF	$f_{osc}/1024$ (4.0kHz)
ON	OFF	ON	$f_{osc}/768$ (5.3kHz)
OFF	ON	ON	$f_{osc}/640$ (6.4kHz)
ON	ON	ON	$f_{osc}/512$ (8.0kHz)

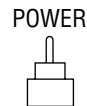
*Parenthesized figures at $f_{osc} = 4.096$ MHz

2.5 Specify the phrase to be recorded by selecting a channel with HEX switches (CH).

CH4 to 7	CH0 to 3	Phrase No.	
		Playback Flash Memory	Playback Mask ROM
		ROM = OFF	ROM = ON
0	0	To erase all phrases	Use Prohibited
0	1	CH 01	CH 01
0	2	CH 02	CH 02
⋮	⋮	⋮	⋮
3	F	CH 3F	CH 3F
4	0	Use Prohibited	CH 40
4	1		⋮
⋮	⋮		⋮
⋮	⋮		⋮
F	F		CH FF

3. RECORDING

3.1 Turn the POWER switch on to power up the board. The on-board LED (POWER) goes on.



3.2 Push the RESET button to initialize the demonstration board.



RESET

3.3 Set up recording parameters according to item 2. earlier in this document.

3.4 Push the REC button to initiate recording and input your message via microphone. The on-board LED (MON) keeps on during recording.



REC

3.5 Recording ends automatically when the last address assigned to the channel has been reached. Push the STOP button to stop recording before it comes to the end.



STOP

[Note] Once recording is made up to the last memory address, no additional phrase can be recorded.

4. PLAYINGBACK

4.1 Push the PLAY button to initiate playback.



PLAY

4.2 Playback automatically ends when the last address of the recorded phrase has been reached. Push the STOP button to stop playback before the end of the phrase.



STOP

5. PAUSING ON-GOING RECORD/PLAYBACK

5.1 While in record/playback operation, you can push the PAUSE button whenever you want to suspend the on-going operation.



PAUSE

5.2 Pushing the button again resumes the suspended operation.

6. ERASING A RECORDED PHRASE(S)

6.1 Select a phrase to be erased according to item 2.5 earlier in this document.

6.2 Push the DELETE button to erase the selected phrase.



DELETE

[Note] If you experience any problem in recording/playing back, erase "All" once. To do so, set the HEX switches (CH) to 00, and then push the DELETE button.

7. QUICK REFERENCE ON OPERATIONS

7.1 Playback Pre-recorded Phrase(s) (Mask ROM)

ROM	PHRASE				Pre-recorded Phrase
	CH4-7	CH0-3			
ON	C	1	Push the PLAY button.	Playback pre-recorded messages stored in Mask ROM.	"At this moment"
ON	C	2			"I'm unavailable to answer your call."
ON	C	3			"I'm driving."
ON	C	4			"Right after the beep, please leave your name and brief message."
ON	C	5			"Please call again later."
ON	C	6			"Time for your message is"
ON	C	7			"Recording time"
ON	C	8			"Fifteen"
ON	C	9			"Twenty"
ON	C	A			"Thirty"
ON	C	B	Push the STOP button to stop on-going playback before its end.	"Seconds"	
ON	C	C		BEEP (Frequency = 1.6kHz, Time = 0.6sec, Level = 13%)	

7.2 Recording with Serial Voice Flash Memory

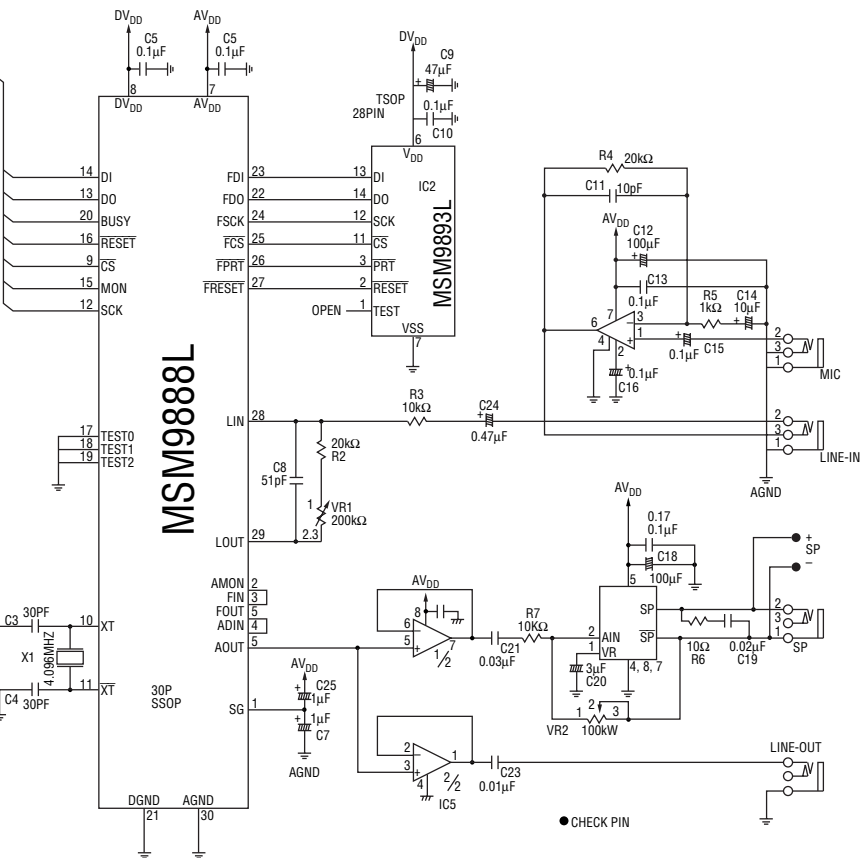
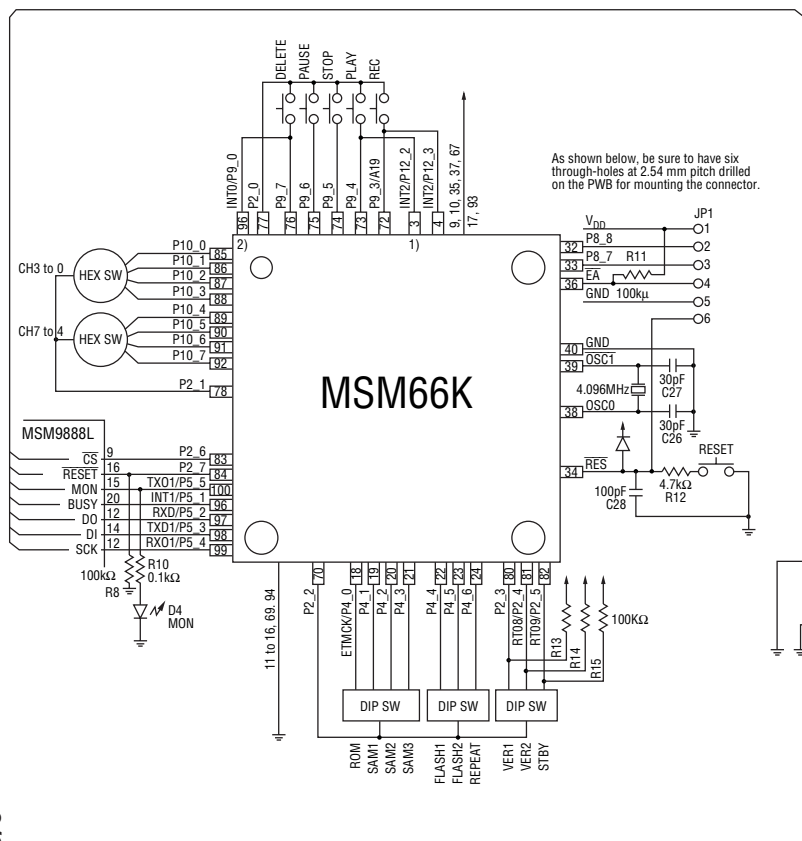
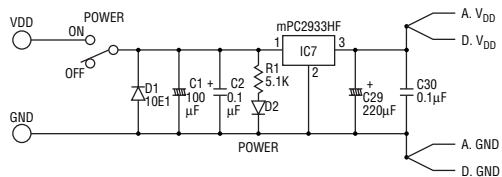
ROM	SAM			CH			Sampling Frequency	Operation
	3	2	1	CH4-7	CH0-3			
OFF	ON	OFF	OFF	0-3	0-F	Push the REC button.	4kHz	Initiate pre-specified recording at and save the data on the specified channel. Push the STOP button to stop on-going operation before its end.
OFF	ON	OFF	ON	0-3	0-F		5.3kHz	
OFF	ON	ON	OFF	0-3	0-F		6.4kHz	
OFF	ON	ON	ON	0-3	0-F		8.0kHz	

7.3 Playing Back Recorded Phrase from Serial Voice Flash Memory

ROM	PHRASE			Operation
	CH4-7	CH0-3		
OFF	0	1	Push the PLAY button.	Initiate playback of phrase 01 (CH01). Push the STOP button to stop on-going playback before its end.
OFF	0	2		Initiate playback of phrase 01 (CH02). Push the STOP button to stop on-going playback before its end.
⋮	⋮	⋮		⋮
OFF	3	E		Initiate playback of phrase 01 (CH3E). Push the STOP button to stop on-going playback before its end.
OFF	3	F		Initiate playback of phrase 01 (CH3F). Push the STOP button to stop on-going playback before its end.
OFF	4	0		Use-prohibited
OFF	4	1		Use-prohibited
⋮	⋮	⋮		⋮
OFF	F	E		Use-prohibited
OFF	F	F		Use-prohibited

PRE-RECORDED MESSAGES: PHRASE CODE AND OTHER DATAProduct Code: MSM9888L-820 (For general-purpose)

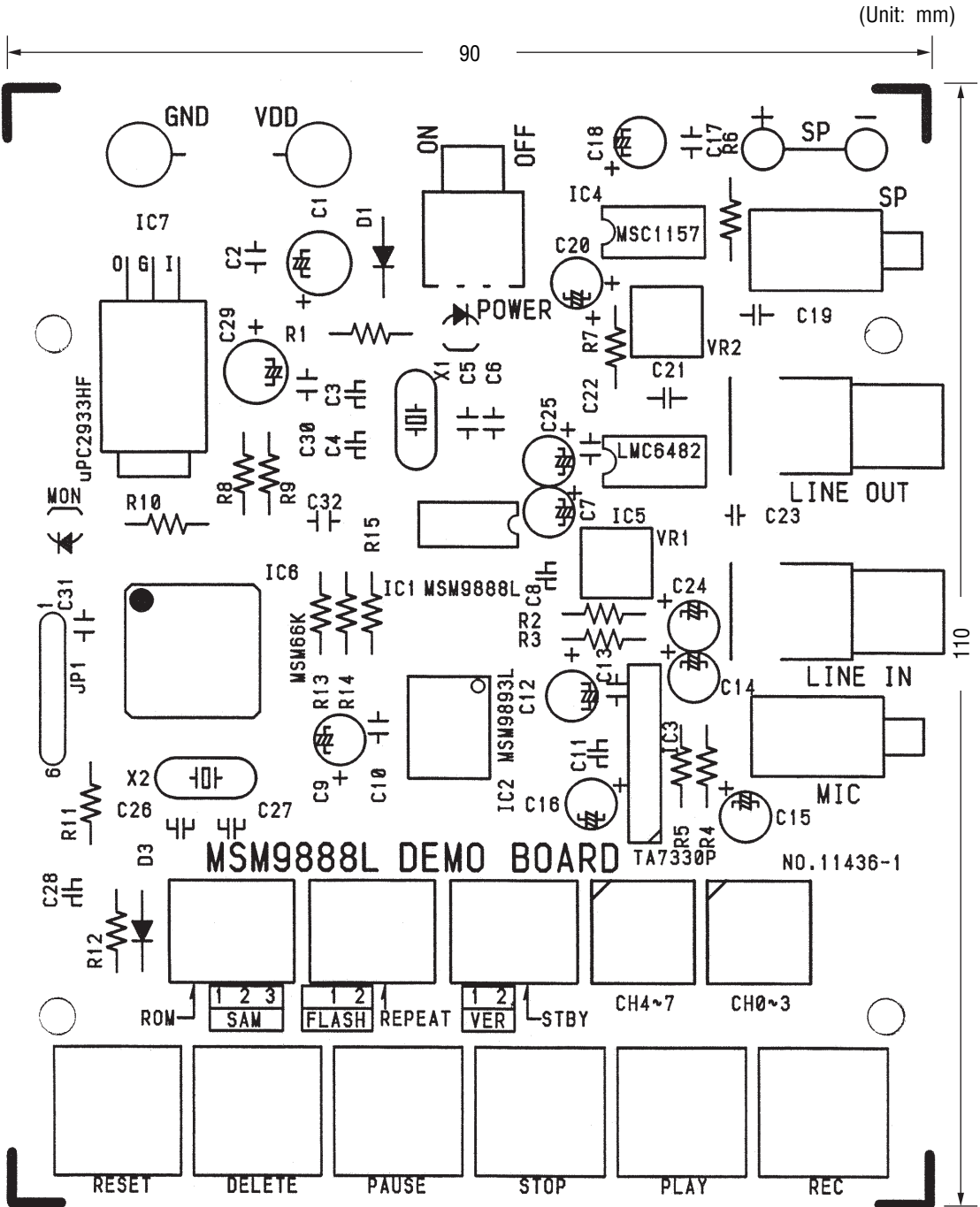
Phrase Code	Message	Size	Time Length [sec]	Algorithm	Sampling Frequency [kHz]
00 to C0	Use-prohibited Code	—	—	—	—
C1	At this moment	A40	0.84	ADPCM	6.40
C2	I'm unavailable to answer your call.	1A31	2.15	ADPCM	6.40
C3	I'm driving.	1E7C	2.50	ADPCM	6.40
C4	Right after the beep, please leave your name and brief message.	4522	5.67	ADPCM	6.40
C5	Please call again later.	1DA2	2.43	ADPCM	6.40
C6	Time for your message is	1753	1.92	ADPCM	6.40
C7	Recording time	11CD	1.46	ADPCM	6.40
C8	Fifteen	4E2	0.40	ADPCM	6.40
C9	Twenty	5F8	0.49	ADPCM	6.40
CA	Thirty	7BE	0.64	ADPCM	6.40
CB	Seconds.	809	0.66	ADPCM	6.40
CC	Beep (1.6 kHz / 0.6 sec / 13%)	E88	0.60	PCM	6.40
CD to FF	Use-prohibited Code	—	—	—	—



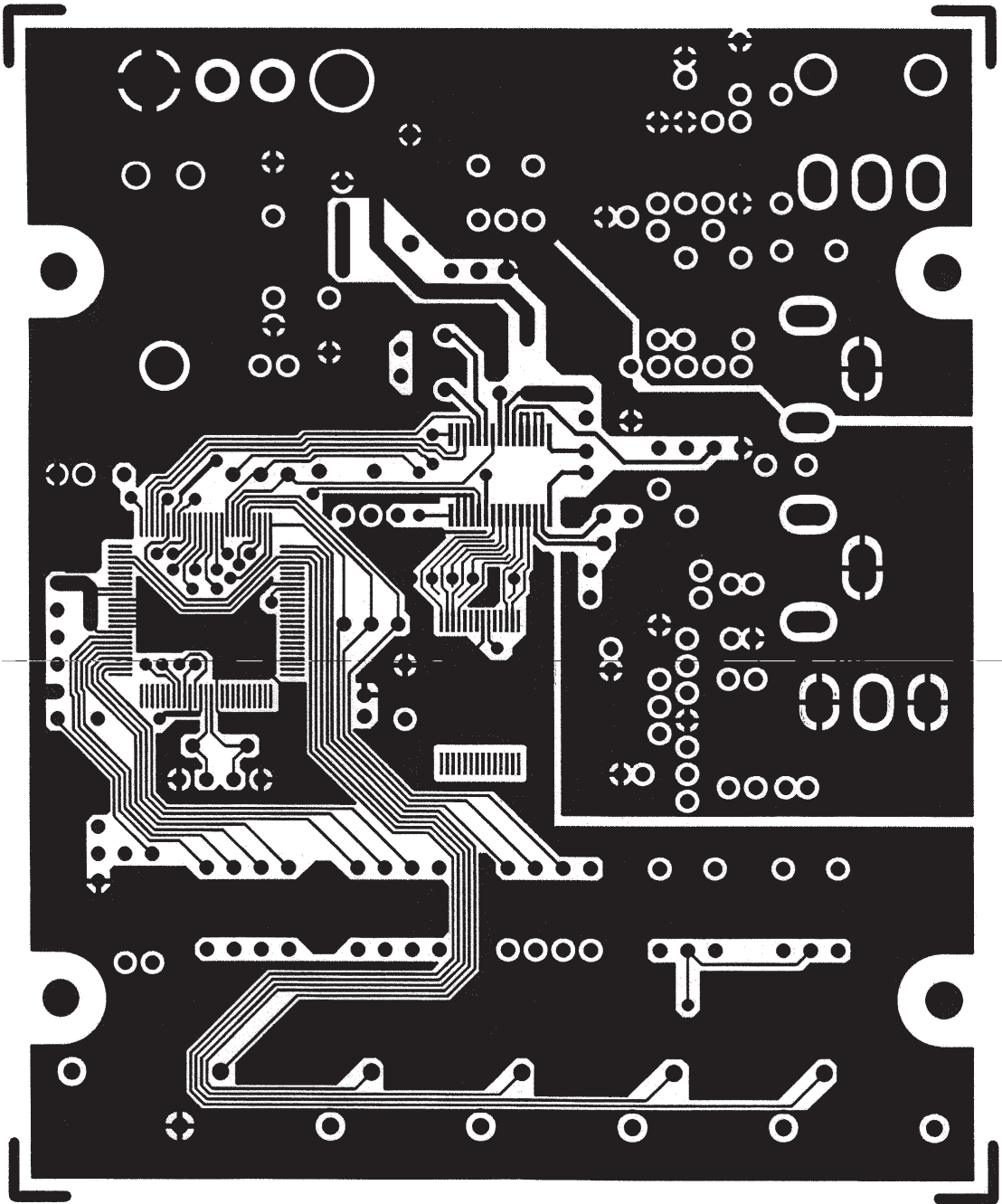
8. CIRCUIT DIAGRAM

9. PATTERN LAYOUT

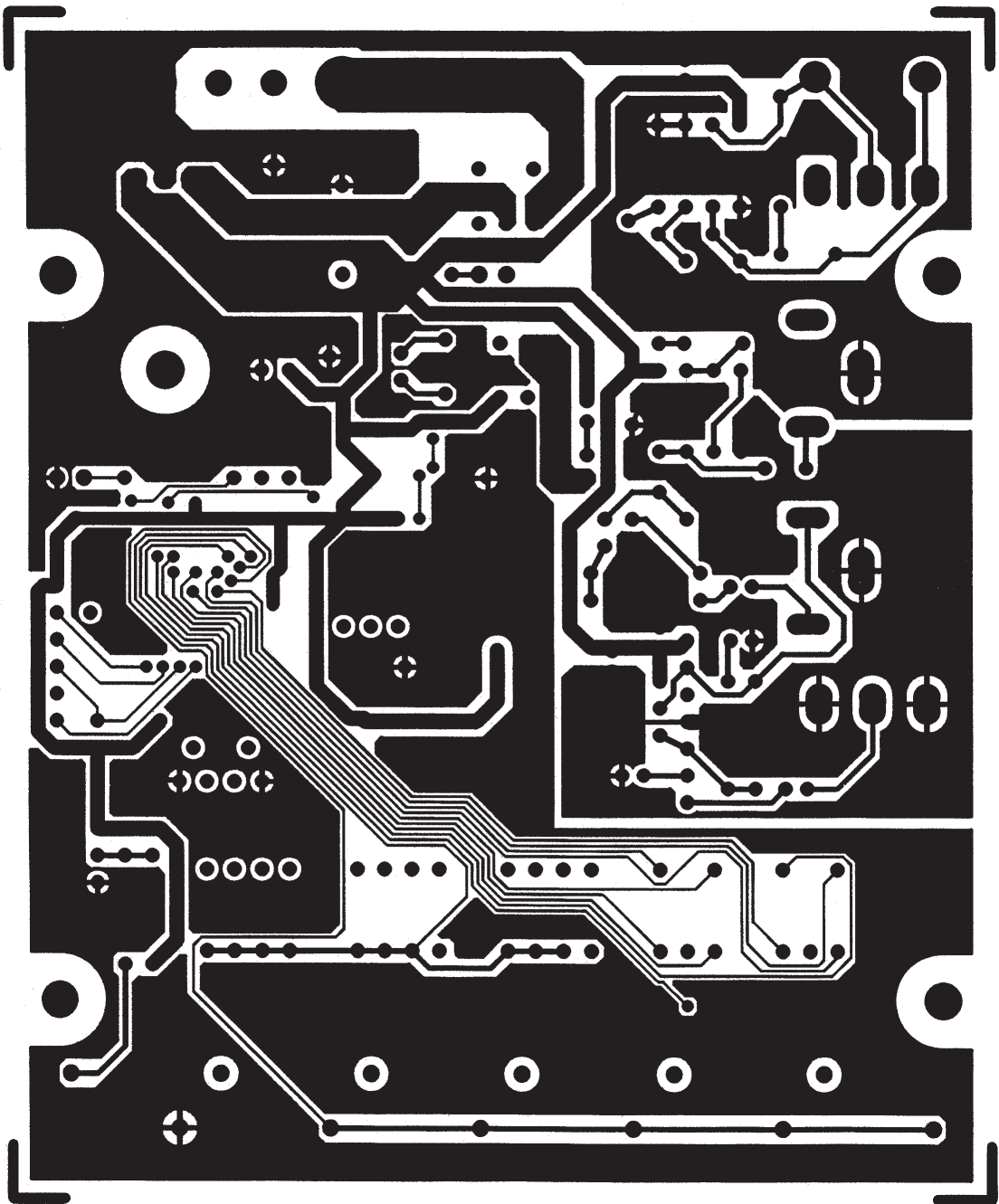
9.1 Silk Screen



9.2 Mounting Side



9.3 Solder Side



NOTICE

1. The information contained herein can change without notice owing to product and/or technical improvements. Before using the product, please make sure that the information being referred to is up-to-date.
2. The outline of action and examples for application circuits described herein have been chosen as an explanation for the standard action and performance of the product. When planning to use the product, please ensure that the external conditions are reflected in the actual circuit, assembly, and program designs.
3. When designing your product, please use our product below the specified maximum ratings and within the specified operating ranges including, but not limited to, operating voltage, power dissipation, and operating temperature.
4. Oki assumes no responsibility or liability whatsoever for any failure or unusual or unexpected operation resulting from misuse, neglect, improper installation, repair, alteration or accident, improper handling, or unusual physical or electrical stress including, but not limited to, exposure to parameters beyond the specified maximum ratings or operation outside the specified operating range.
5. Neither indemnity against nor license of a third party's industrial and intellectual property right, etc. is granted by us in connection with the use of the product and/or the information and drawings contained herein. No responsibility is assumed by us for any infringement of a third party's right which may result from the use thereof.
6. The products listed in this document are intended for use in general electronics equipment for commercial applications (e.g., office automation, communication equipment, measurement equipment, consumer electronics, etc.). These products are not authorized for use in any system or application that requires special or enhanced quality and reliability characteristics nor in any system or application where the failure of such system or application may result in the loss or damage of property, or death or injury to humans. Such applications include, but are not limited to, traffic and automotive equipment, safety devices, aerospace equipment, nuclear power control, medical equipment, and life-support systems.
7. Certain products in this document may need government approval before they can be exported to particular countries. The purchaser assumes the responsibility of determining the legality of export of these products and will take appropriate and necessary steps at their own expense for these.
8. No part of the contents contained herein may be reprinted or reproduced without our prior permission.
9. MS-DOS is a registered trademark of Microsoft Corporation.

Copyright 1999 Oki Electric Industry Co., Ltd.
