

# MSM9810 EVA BOARD

## MSM9810 Evaluation Board

### GENERAL DESCRIPTION

The MSM9810 Evaluation Board enables you to readily evaluate your sound data quality and debug your control software. The board can accommodate up to 16 Mbit (4 Mbit × 4) user-programmed ROMs and be controlled by an external MCU board (optional) via on-board 20-pin connector.

Further, the on-board 50-pin connector allows you to add an Expansion ROM Board for evaluation of data larger than 16 Mbit.

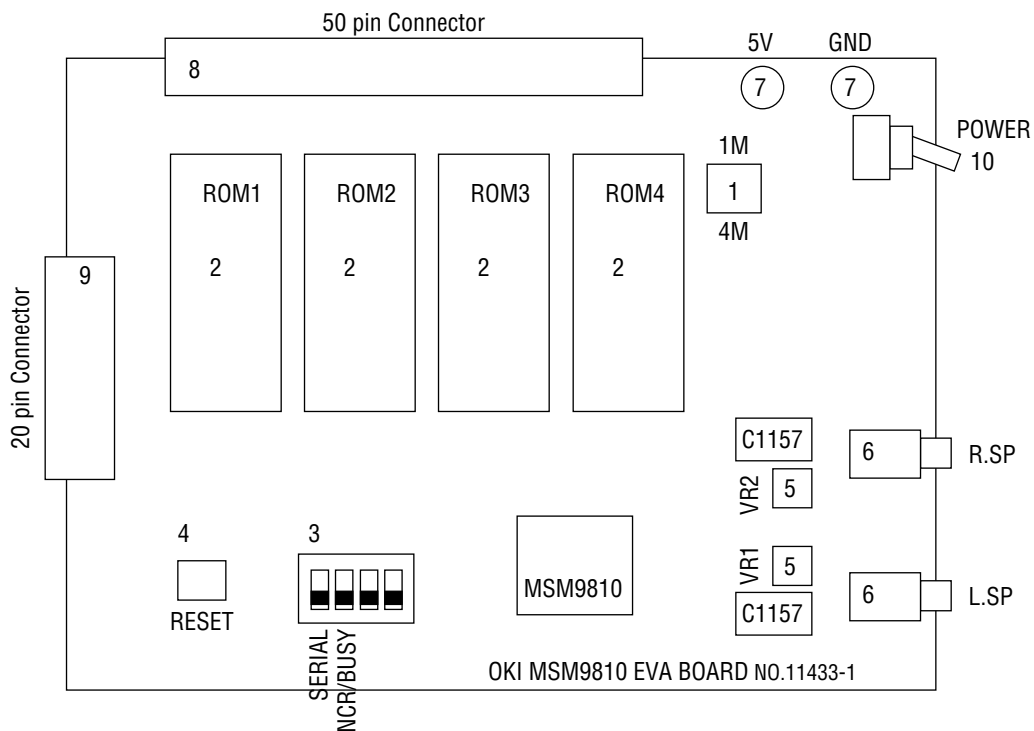
### NOTICE TO USERS

This document is prepared to describe the specification of the MSM9810 Evaluation Board. For the specification of MSM9810 commercial product, see OKI Data Book on Speech LSI.

The MCU board that can be connected to the on-board connector with 20-wire flat cable is also available for controlling the MSM9810 Evaluation Board. Please contact your local distributor if you plan to use one.

### BOARD LAYOUT (TOP VIEW)

For further information on parts 1 to 10 mounted on the board, see "FUNCTIONAL DESCRIPTION" on the following page.



## FUNCTIONAL DESCRIPTION

- (1) ROM Size Jumpers  
1 Mbit or 4 Mbit CMOS EPROM can be used for evaluation. Select the upper pair of these 3 jumpers for 1 Mbit EPROM, or the lower pair for 4 Mbit EPROM.
- (2) EPROM Sockets  
EPROMs programmed by using OKI Speech Analyzer & Editor tool can be inserted to these sockets, from ROM1 (left) to ROM4 (right) in sequential order. After mounting EPROMs, set Textool's rock levers to rock position.
- (3) Dip Switch (4-unit)
  1. SERIAL  
You can select a type of input/output interface for the external MCU.  
Set this switch to ON if you want to use a serial input interface, or set to OFF if you want to use a parallel input interface.
  2. NCR/BUSY  
You can select the output signal for channel status data.  
With this switch at On position NCR signal is output, while at OFF position BUSY signal is output.
  3. Not in use.
  4. Not in use.
- (4) RESET Switch  
This switch is connected to the RESET pin of the MSM9810. You must initialize the board by pushing the button after powering up.
- (5) VR1 and VR2 (Amplifier Sound Level Control)  
Turn left for higher sound level, or turn right for lower sound level.
- (6) R.SP and L.SP (Speaker Jacks)  
Connect the right channel speaker to R.SP and the left channel speaker to L.SP.
- (7) Power Supply Pins (5V, GND.)  
Power supply pins. Use the board within the recommended operating voltage range.

## (8) 50-pin Connector

The connector for the Expansion ROM Board. The following list shows connector pin No. and the corresponding signal symbol.

Connector pin No.	Signal Symbol	Connector pin No.	Signal Symbol
1	V <sub>DD</sub>	26	A11
2	V <sub>DD</sub>	27	A12
3	V <sub>DD</sub>	28	A13
4	NC	29	A14
5	D0	30	A15
6	D1	31	A16
7	D2	32	A17
8	D3	33	A18
9	D4	34	A19
10	D5	35	A20
11	D6	36	A21
12	D7	37	A22
13	NC	38	A23
14	NC	39	NC
15	A0	40	NC
16	A1	41	NC
17	A2	42	NC
18	A3	43	NC
19	A4	44	NC
20	A5	45	NC
21	A6	46	NC
22	A7	47	NC
23	A8	48	GND
24	A9	49	GND
25	A10	50	GND

## (9) 20-pin Connector

The connector for the External MCU Board. The following list shows connector pin No. and the corresponding signal symbol.

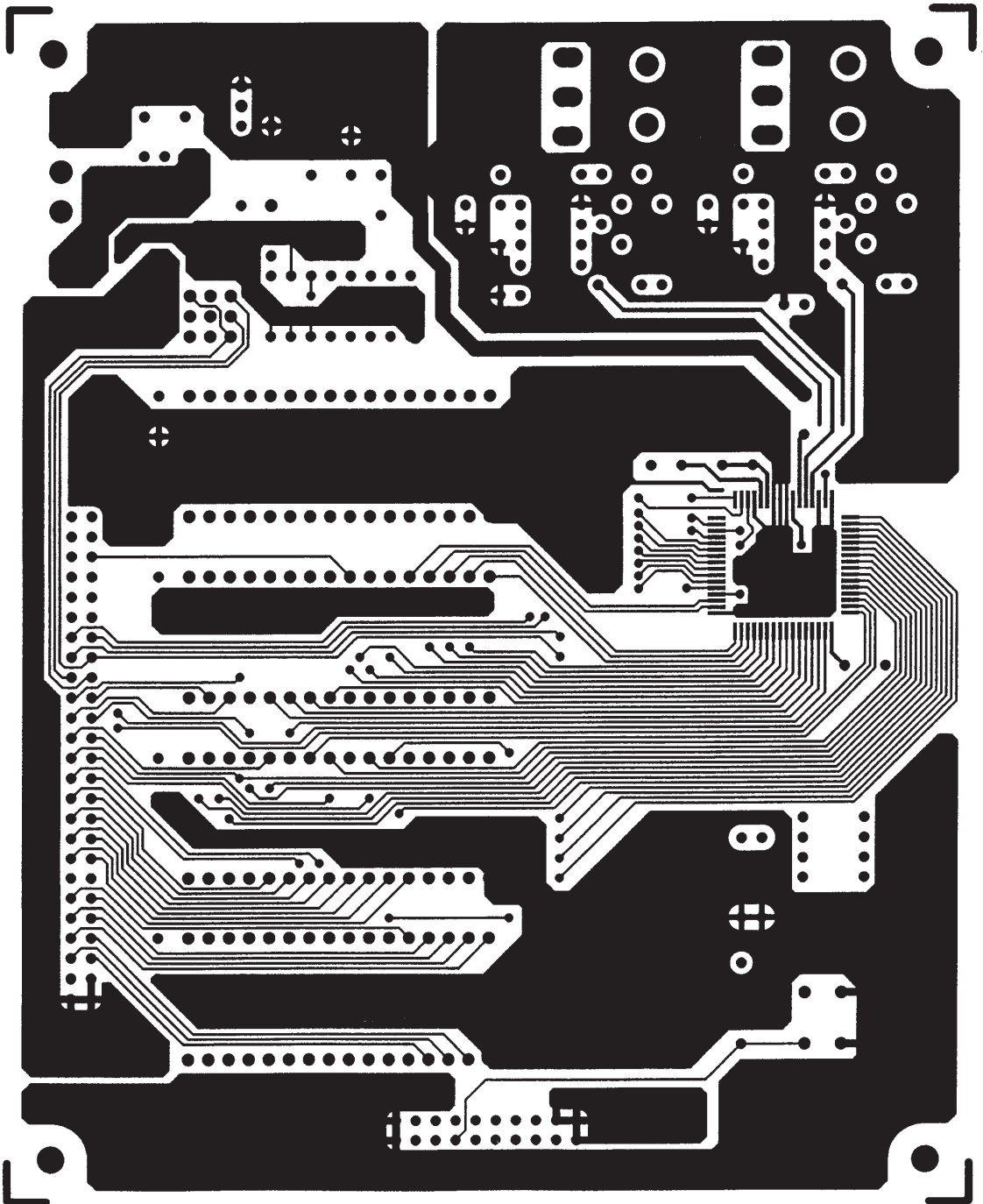
Connector pin No.	Signal Symbol	Connector pin No.	Signal Symbol
1	V <sub>DD</sub>	11	D5
2	V <sub>DD</sub>	12	D6
3	V <sub>DD</sub>	13	$\overline{\text{CMD}}$
4	D7	14	$\overline{\text{RESET}}$
5	NC	15	$\overline{\text{WR}}$
6	D0	16	$\overline{\text{CS}}$
7	D1	17	NC
8	D2	18	$\overline{\text{RD}}$
9	D3	19	GND
10	D4	20	GND

## (10) POWER Switch

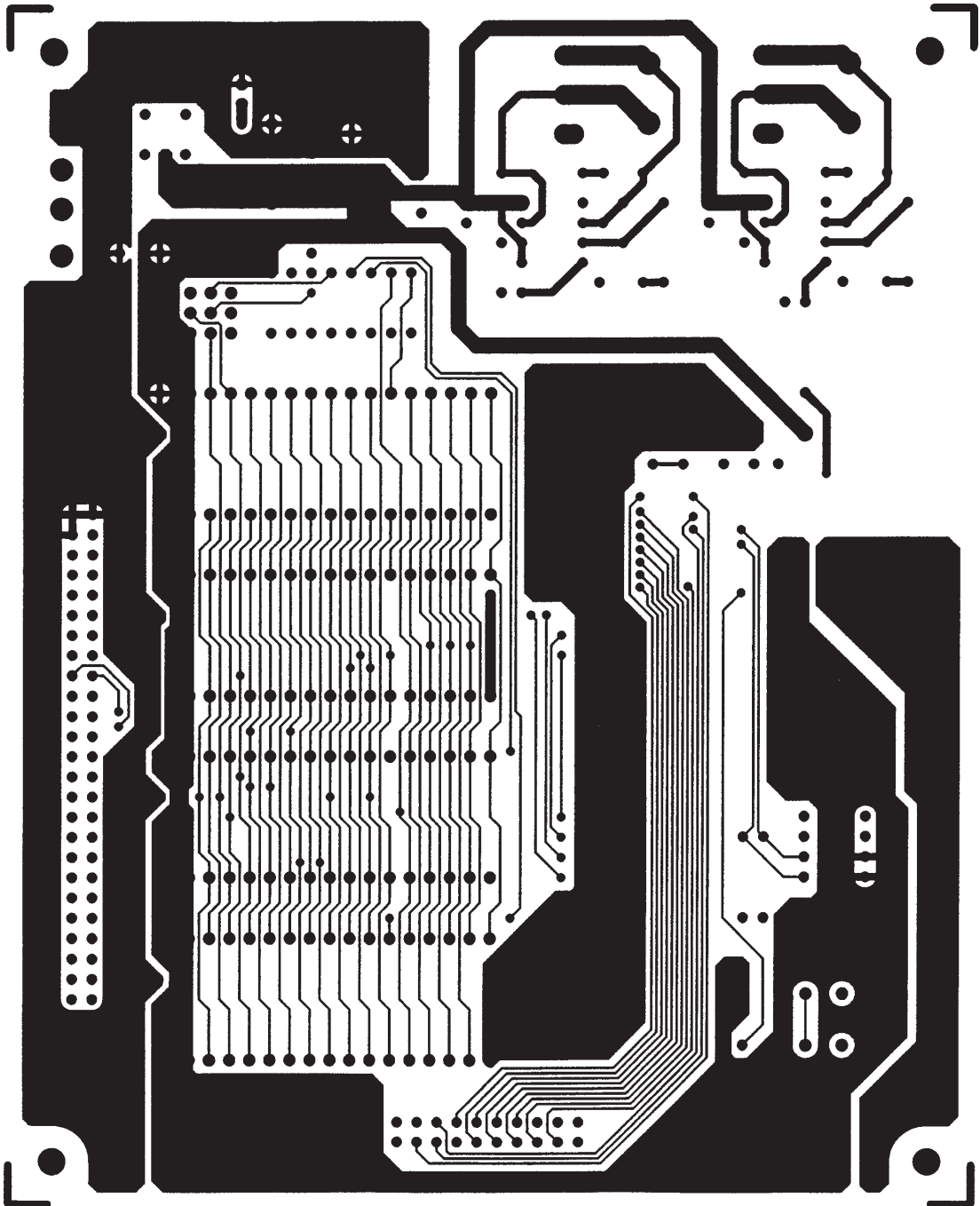




**Mounting Side**



**Solder Side**





**NOTICE**

1. The information contained herein can change without notice owing to product and/or technical improvements. Before using the product, please make sure that the information being referred to is up-to-date.
2. The outline of action and examples for application circuits described herein have been chosen as an explanation for the standard action and performance of the product. When planning to use the product, please ensure that the external conditions are reflected in the actual circuit, assembly, and program designs.
3. When designing your product, please use our product below the specified maximum ratings and within the specified operating ranges including, but not limited to, operating voltage, power dissipation, and operating temperature.
4. Oki assumes no responsibility or liability whatsoever for any failure or unusual or unexpected operation resulting from misuse, neglect, improper installation, repair, alteration or accident, improper handling, or unusual physical or electrical stress including, but not limited to, exposure to parameters beyond the specified maximum ratings or operation outside the specified operating range.
5. Neither indemnity against nor license of a third party's industrial and intellectual property right, etc. is granted by us in connection with the use of the product and/or the information and drawings contained herein. No responsibility is assumed by us for any infringement of a third party's right which may result from the use thereof.
6. The products listed in this document are intended for use in general electronics equipment for commercial applications (e.g., office automation, communication equipment, measurement equipment, consumer electronics, etc.). These products are not authorized for use in any system or application that requires special or enhanced quality and reliability characteristics nor in any system or application where the failure of such system or application may result in the loss or damage of property, or death or injury to humans. Such applications include, but are not limited to, traffic and automotive equipment, safety devices, aerospace equipment, nuclear power control, medical equipment, and life-support systems.
7. Certain products in this document may need government approval before they can be exported to particular countries. The purchaser assumes the responsibility of determining the legality of export of these products and will take appropriate and necessary steps at their own expense for these.
8. No part of the contents contained herein may be reprinted or reproduced without our prior permission.
9. MS-DOS is a registered trademark of Microsoft Corporation.

Copyright 1999 Oki Electric Industry Co., Ltd.

---