

MSM66589/66P589/66Q589**OLMS-66K Series CMOS 16-Bit Microcontroller****GENERAL DESCRIPTION**

The MSM66589/66P589/66Q589 is a high-speed, high-performance 16-bit microcontroller that employs OKI original nX-8/500S CPU core.

The MSM66589/66P589/66Q589 includes a 16-bit CPU, ROM, RAM, a 10-bit A/D converter, serial ports, flexible timers, pulse-width modulator (PWM), and I/O ports.

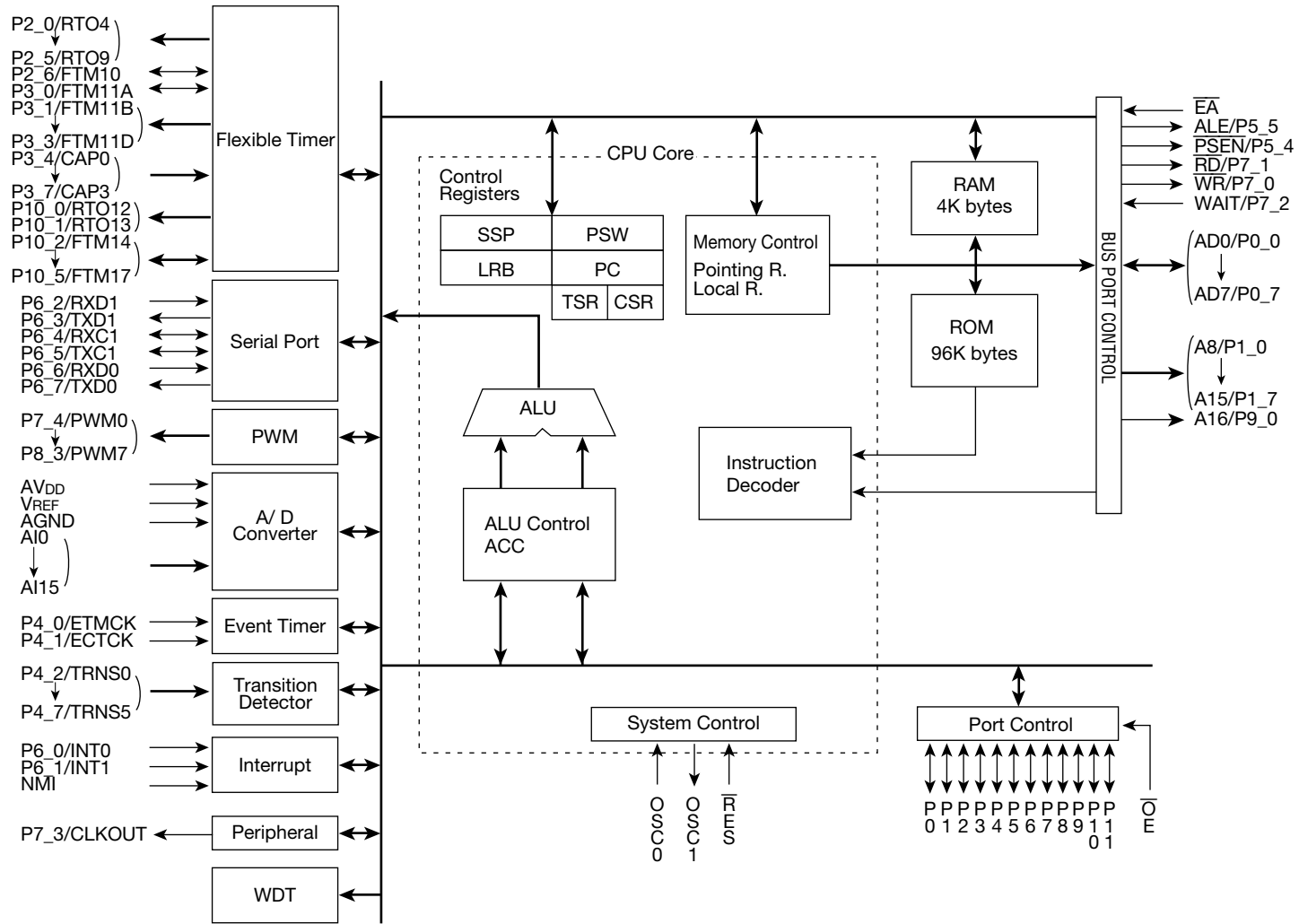
The MSM66Q589, used for program developments, is a Flash EEPROM version.

FEATURES

- Program memory space : 128K bytes
 - Internal ROM : 96K bytes
- Data memory space : 64K bytes
 - Internal RAM : 4K bytes
- High-speed execution
 - Minimum instruction execution time : 100 nsec (@ 20 MHz)
- Built-in multiplier
- Powerful instruction set : Instruction set superior in orthogonal matrix
 - 8/16-bit data transfer instructions
 - 8/16-bit arithmetic instructions
 - Multiplication and division operation instructions
 - Bit manipulation instructions
 - Bit logic instructions
 - ROM table reference instructions
- Abundant addressing modes : Register addressing
 - Page addressing
 - Pointing register indirect addressing
 - Stack addressing
 - Immediate addressing
- I/O port
 - Analog input only ports : 16 channels
 - Input-output ports : 11 ports × 8 bits, 1 port × 6 bits
(Each bit can be configured to be an input or output)
- Flexible timers
 - Free run counters : 19 bits × 1, 16 bits × 1
 - 19-bit CAP with a divider : 4
 - 16-bit double buffer RTO : 6
 - 16-bit RTO/PWM : 2
 - 16-bit CAP/RTO : 6
- 8-bit general timer : 1
 - 8-bit event counter : 1
- 16-bit PWM : 8
 - Input clock divider : 1
- 8-bit serial ports : 1
 - UART mode with BRG : 1

Synchronous/UART switchable mode

- with BRG : 1
- 10-bit A/D converter : 16 channels
- Transition detector : 6
- Watchdog timer : 1
- Interrupts
 - Non-maskable : 1
 - Maskable : Internal 47/external 2
 - (4-level priority can be set)
- ROM window function
- Standby modes
 - HALT mode
 - STOP mode
- Package:
 - 128-pin plastic QFP (QFP128-P-2828-0.80-BK) (Product name: MSM66589-xxxGS-BK)
 - (Product name: MSM66P589-xxxGS-BK)
 - (Product name: MSM66Q589GS-BK)
 - xxx indicates the code number.



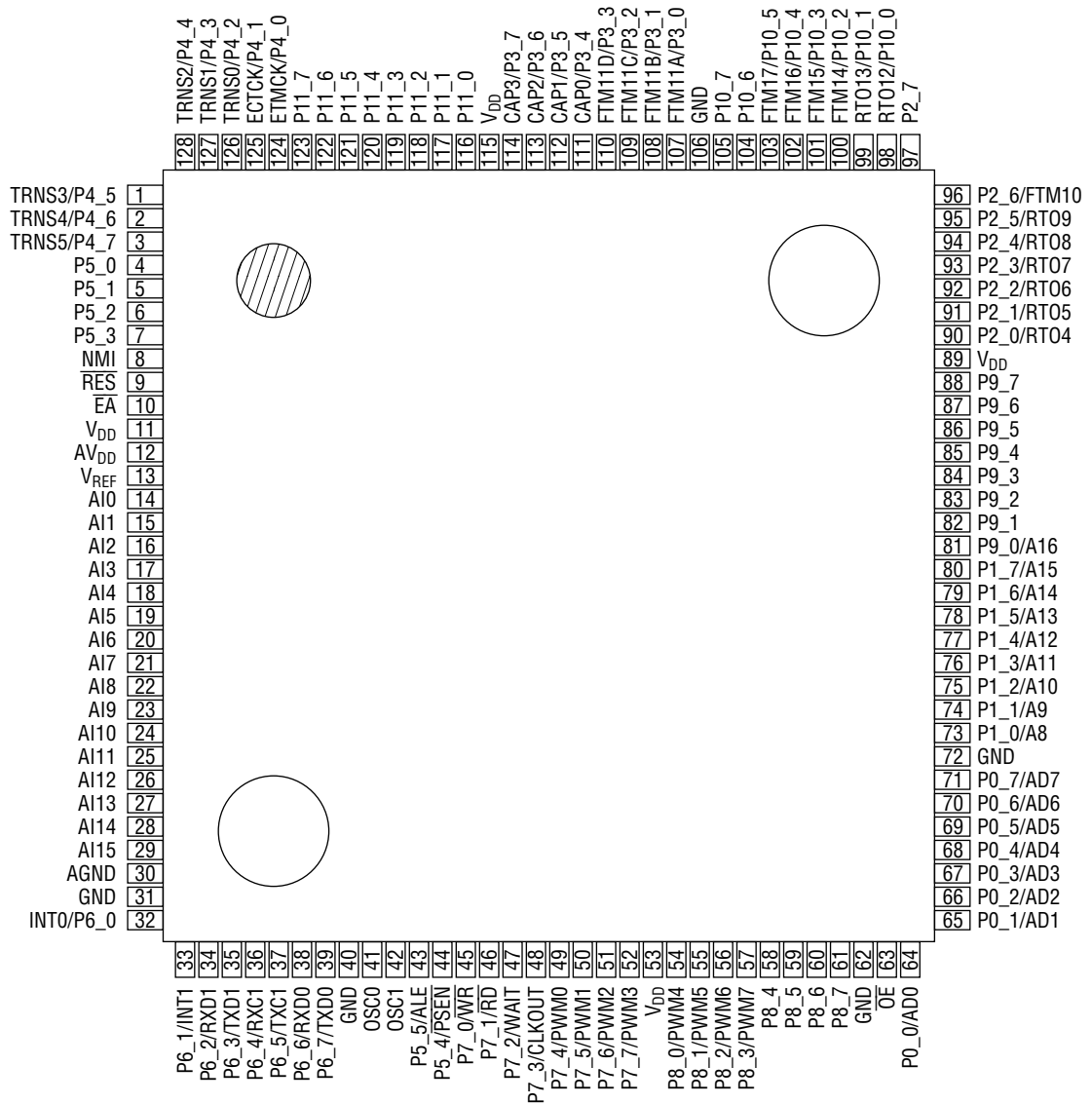
BLOCK DIAGRAM

OKI Semiconductor

MSM66589/66P589/66Q589

FEDL66589-01

PIN CONFIGURATION (TOP VIEW)



128-Pin Plastic QFP (FLAT)

PIN DESCRIPTION

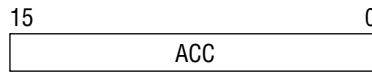
Symbol	Type	Description
P0_0-P0_7/ AD0-AD7	I/O	P0: 8-bit input-output port. Each bit can be assigned to be an input or an output. AD: When an external memory is used, these pins output the lower 8 bits of the address. These pins also input or output the data.
P1_0-P1_7/ A8-A15	I/O	P1: 8-bit input-output port. Each bit can be assigned to input or output. A: When an external memory is used, these pins output the upper 8 bits of the address.
P2_0-P2_5/ RTO4-RTO9 P2_6/FTM10 P2_7	I/O	P2: 8-bit input-output port. Each bit can be assigned to input or output. RTO: Output pin for real time output FTM10: Capture input pin or real-time output pin
P3_0-P3_3/ FTM11A-FTM11D P3_4-P3_7/ CAP0-CAP3	I/O	P3: 8-bit input-output port. Each bit can be assigned to input or output. FTM11A: Capture input pin or real-time output pin FTM11B-D: 4-port real-time output pin CAP: Capture input pin
P4_0/ETMCK P4_1/ECTCK P4_2-P4_7/ TRNS0-TRNS5	I/O	P4: 8-bit input-output port. Each bit can be assigned to input or output. ETMCK: External clock input pin of 8-bit general timer ECTCK: External clock input pin of 8-bit event counter TRNS: Transition detector input pin
P5_0-P5_3 P5_4/PSEN P5_5/ALE	I/O	P5: 6-bit input-output port. Each bit can be assigned to input or output. PSEN: Strobe pulse output pin to fetch to external program memory ALE: Timing pulse output pin to latch the lower 8 bits of the address output from port 0 when the CPU accesses the external memory
P6_0/INT0 P6_1/INT1 P6_2/RXD1 P6_3/TXD1 P6_4/RXC1 P6_5/TXC1 P6_6/RXD0 P6_7/TXD0	I/O	P6: 8-bit input-output port. Each bit can be assigned to input or output. INT0, 1: External interrupt request input pin RXD1: SCI1 Receiver data input pin TXD1: SCI1 Transmitter data output pin RXC1: SCI1 Receiver circuit clock pin TXC1: SCI1 Transmitter circuit clock pin RXD0: SCI0 Receiver data input pin TXD0: SCI0 Transmitter data output pin
P7_0/ \overline{WR} P7_1/ \overline{RD} P7_2/WAIT P7_3/CLKOUT P7_4-P7_7/ PWM0-PWM3	I/O	P7: 8-bit input-output port. Each bit can be assigned to input or output. \overline{WR} : Write strobe output pin for external data memory \overline{RD} : Read strobe output pin for external data memory WAIT: CPU wait request input pin when accessing external data memory CLKOUT: Output pin to output clock pulse specified by PRPHF PWM: PWM output pin
P8_0-P8_3/ PWM4-PWM7 P8_4-P8_7	I/O	P8: 8-bit input-output port. Each bit can be assigned to input or output. PWM: PWM output pin
P9_0/A16 P9_1-P9_7	I/O	P9: 8-bit input-output port. Each bit can be assigned to input or output. A16: When an external program memory is used, this pin outputs the MSB of the address.
P10_0-P10_1/ RTO12-RTO13 P10_2-P10_5/ FTM14-FTM17 P10_6-P10_7	I/O	P10: 8-bit input-output port. Each bit can be assigned to input or output. RTO: Output pin for real time output. FTM: Capture input pin or real-time output pin
P11_0-P11_7	I/O	P11: 8-bit input-output port. Each bit can be assigned to input or output.

PIN DESCRIPTION (Continued)

Symbol	Type	Description
AI0-AI15	I	Analog signal input pin for A/D converter
AV _{DD}	I	Power supply input pin for A/D converter
V _{REF}	I	Reference voltage input pin for A/D converter
AGND	I	GND input pin for A/D converter
OSC0	I	Basic clock oscillation pin
OSC1	O	
\overline{OE}	I	When P0, P1, P2, P7_4-P7_7, and P8-P11 are in an output state and \overline{OE} pin is "H" level, P0, P1, P2, P7_4-P7_7, and P8-P11 go to a high-impedance state. When P0, P1, P2, P7_4-P7_7, and P8-P11 are in an output state and \overline{OE} pin is "L" level, P0, P1, P2, P7_4-P7_7, and P8-P11 output "H" or "L" level. However, when P0, P1, P2, P7_4-P7_7, and P8-P11 are in an input state, these ports are not under the influence of \overline{OE} pin.
NMI	I	Nonmaskable interrupt request input pin
\overline{RES}	I	Low-active RESET input pin
\overline{EA}	I	Normally set to "H" level. If set to "L" level, the program memory goes into external access mode and accesses external program memory
V _{DD}	I	Power supply pin
GND	I	Ground pin

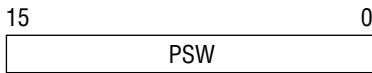
REGISTERS

Accumulator



Control Register (CR)

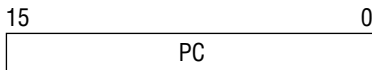
Program Status Word



- Bit 15 : Carry flag (CY)
- Bit 14 : Zero flag (ZF)
- Bit 13 : Half carry flag (HC)
- Bit 12 : Data descriptor (DD)
- Bit 11 : Sign flag (S)
- Bit 10 : Master interrupt priority flag (MIP)
- Bit 9 : Overflow flag (OV)
- Bit 8 : Master interrupt enable flag (MIE)
- Bit 7 : Multiply and accumulate operation bank flag (MAB)*
- Bit 6 : User flag (F1)
- Bit 5 : Bank common base (BCB1)*
- Bit 4 : Bank common base (BCB0)*
- Bit 3 : User flag (F0)
- Bit 2-0 : System control base 2-0 (SCB2-0)

* Bit 7 (MAB), Bit 5 (BCB1), and Bit 4 (BCB0) can be used as the User flag.

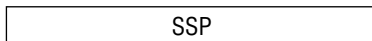
Program Counter



Local Register Base



System Stack Pointer



Segment Register

Code Segment Register

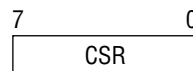
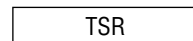


Table Segment Register



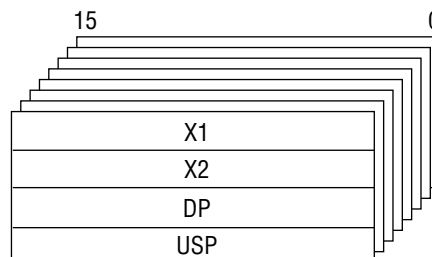
Pointing Register (PR)

Index Register 1

Index Register 2

Data pointer

User Stack Pointer



Local Register

	7	0 7	0
ER0	R1		R0
ER1	R3		R2
ER2	R5		R4
ER3	R7		R6

SFR

Address [H]	Name	Abbreviated Name (BYTE)	Abbreviated Name (WORD)	R/W	8/16 Operation	Reset Status										
0000	System Stack Pointer	—	SSP	R/W	16	FFFF										
0001																
0002	Local Register Base	LRBL	LRB		R/W	8/16	Undefined									
0003		LRBH														
0004	Program Status Word	PSWL	PSW					R/W	8/16	00						
0005		PSWH														
0006	Accumulator	ACCL	ACC								R/W	8/16	00			
0007		ACCH														
0008☆	Table Segment Register	TSR	—											R/W	8	00
0009																
000A																
000B	ROM Window Register	ROMWIN	—	R/W												
000C☆	ROM Ready Control Register	ROMRDY	—		FF											
000D☆	RAM Ready Control Register	RAMRDY	—		FF											
000E	Stop Code Acceptor	STPACP	—		W	"0"										
000F☆	Standby Control Register	SBYCON	—	R/W	8/16	C8										
0010	Port 0 Data Register	P0	P0P1			00										
0011	Port 1 Data Register	P1				00										
0012	Port 2 Data Register	P2	P2P3			00										
0013	Port 3 Data Register	P3				00										
0014	Port 4 Data Register	P4	P4P5			00										
0015☆	Port 5 Data Register	P5				C0										
0016	Port 6 Data Register	P6	P6P7			00										
0017	Port 7 Data Register	P7				00										
0018	Port 0 Mode Register	P0IO	P0P1IO			00										
0019	Port 1 Mode Register	P1IO		00												
001A	Port 2 Mode Register	P2IO	P2P3IO	00												
001B	Port 3 Mode Register	P3IO		00												
001C	Port 4 Mode Register	P4IO	P4P5IO	00												
001D☆	Port 5 Mode Register	P5IO		C0												
001E	Port 6 Mode Register	P6IO	P6P7IO	00												
001F	Port 7 Mode Register	P7IO		00												
0020	Port 8 Data Register	P8	P8P9	00												
0021	Port 9 Data Register	P9		00												
0022	Port 10 Data Register	P10	P10P11	00												
0023	Port 11 Data Register	P11		00												
0024	TRNS Control Register	—	TRNSCON	W	16	F000										
0025☆		—														
0026☆	Transition Detector	TRNSIT	—		8	8	C0									
0027	Watchdog Timer	WDT	—				Stop									

☆ mark in the address column indicates that there is a nonexistent bit in its register.

SFR (Continued)

Address [H]	Name	Abbreviated Name (BYTE)	Abbreviated Name (WORD)	R/W	8/16 Operation	Reset Status	
0028	Port 8 Mode Register	P8IO	P8P9IO	R/W	8/16	00	
0029	Port 9 Mode Register	P9IO				00	
002A	Port 10 Mode Register	P10IO	P10P11IO			00	
002B	Port 11 Mode Register	P11IO				00	
002C☆	A/D Interrupt Control Register	ADINTCON	—		8	C0	
002D☆	A/D Hardware Select Enable Register	ADHENCON	—			F0	
002E	A/D Hardware Select Register	—	ADHSEL		16	0000	
002F		—					
0030							
0031	Port 1 Secondary Function Control Register	P1SF	—		R/W	8	00
0032☆	Port 2 Secondary Function Control Register	P2SF	—	80			
0033	Port 3 Secondary Function Control Register	P3SF	—	00			
0034	Port 4 Secondary Function Control Register	P4SF	—	00			
0035☆	Port 5 Secondary Function Control Register	P5SF	—	CF			
0036	Port 6 Secondary Function Control Register	P6SF	—	00			
0037	Port 7 Secondary Function Control Register	P7SF	—	00			
0038☆	Port 8 Secondary Function Control Register	P8SF	—	F0			
0039☆	Port 9 Secondary Function Control Register	P9SF	—	00			
003A☆	Port 10 Secondary Function Control Register	P10SF	—	00			
003B							
003C	Interrupt Request Flag	IRQD0L	IRQD0	R/W	8/16	00	
003D	Disable Register 0	IRQD0H				00	
003E	Interrupt Request Flag	IRQD1L	IRQD1			00	
003F	Disable Register1	IRQD1H				00	
0040	Interrupt Request Register 0	IRQ0L	IRQ0			00	
0041		IRQ0H				00	
0042	Interrupt Request Register 1	IRQ1L	IRQ1			00	
0043		IRQ1H				00	
0044	Interrupt Enable Register 0	IE0L	IE0			00	
0045		IE0H				00	
0046	Interrupt Enable Register 1	IE1L	IE1			00	
0047		IE1H				00	
0048	Interrupt Priority Control Register 00	IP00L	IP00			00	
0049		IP00H				00	
004A	Interrupt Priority Control Register 01	IP01L	IP01			00	
004B		IP01H				00	
004C	Interrupt Priority Control Register 10	IP10L	IP10			00	
004D		IP10H				00	
004E	Interrupt Priority Control Register 11	IP11L	IP11			00	
004F		IP11H				00	

☆ mark in the address column indicates that there is a nonexistent bit in its register.

SFR (Continued)

Address [H]	Name	Abbreviated Name (BYTE)	Abbreviated Name (WORD)	R/W	8/16 Operation	Reset Status
0050	PWM Counter 0	—	PWC0	R	16	FFFF
0051						FFFF
0052	PWM Counter 1	—	PWC1			FFFF
0053						FFFF
0054	PWM Counter 2	—	PWC2			FFFF
0055						FFFF
0056	PWM Counter 3	—	PWC3			FFFF
0057						FFFF
0058	PWM Counter 4	—	PWC4			FFFF
0059						FFFF
005A	PWM Counter 5	—	PWC5			FFFF
005B						FFFF
005C	PWM Counter 6	—	PWC6			FFFF
005D						FFFF
005E	PWM Counter 7	—	PWC7			FFFF
005F						FFFF
0060	PWC0 Buffer Register	—	PWC0BF	R/W	FFFF	
0061					FFFF	
0062	PWC1 Buffer Register	—	PWC1BF		FFFF	
0063					FFFF	
0064	PWC2 Buffer Register	—	PWC2BF		FFFF	
0065					FFFF	
0066	PWC3 Buffer Register	—	PWC3BF		FFFF	
0067					FFFF	
0068	PWC4 Buffer Register	—	PWC4BF	FFFF		
0069				FFFF		
006A	PWC5 Buffer Register	—	PWC5BF	FFFF		
006B				FFFF		
006C	PWC6 Buffer Register	—	PWC6BF	FFFF		
006D				FFFF		
006E	PWC7 Buffer Register	—	PWC7BF	FFFF		
006F				FFFF		
0070	PWR0 Buffer Register	—	PWR0BF	0000		
0071				0000		
0072	PWR1 Buffer Register	—	PWR1BF	0000		
0073				0000		
0074	PWR2 Buffer Register	—	PWR2BF	0000		
0075				0000		
0076	PWR3 Buffer Register	—	PWR3BF	0000		
0077				0000		

* mark in the address column indicates that there is a nonexistent bit in its register.

SFR (Continued)

Address [H]	Name	Abbreviated Name (BYTE)	Abbreviated Name (WORD)	R/W	8/16 Operation	Reset Status
0078	PWR4 Buffer Register	—	PW4BF	R/W	16	0000
0079						0000
007A	PWR5 Buffer Register	—	PW5BF			0000
007B						0000
007C	PWR6 Buffer Register	—	PW6BF			0000
007D						0000
007E	PWR7 Buffer Register	—	PW7BF			0000
007F				0000		
0080	Timer Register 0	—	TMR0	R		Undefined
0081						Undefined
0082	Timer Register 1	—	TMR1			Undefined
0083						Undefined
0084	Timer Register 2	—	TMR2	Undefined		
0085				Undefined		
0086	Timer Register 3	—	TMR3	R/W		Undefined
0087						0000
0088	Timer Register 4	—	TMR4		0000	
0089					0000	
008A	Timer Register 5	—	TMR5		0000	
008B					0000	
008C	Timer Register 6	—	TMR6		0000	
008D					0000	
008E	Timer Register 7	—	TMR7		0000	
008F					0000	
0090	Timer Register 8	—	TMR8		0000	
0091					0000	
0092	Timer Register 9	—	TMR9		0000	
0093					0000	
0094	Timer Register 10	—	TMR10		0000	
0095					0000	
0096	Timer Register 11	—	TMR11	0000		
0097				0000		
0098	Timer Register 12	—	TMR12	0000		
0099				0000		
009A	Timer Register 13	—	TMR13	0000		
009B				0000		
009C	Timer Register 14	—	TMR14	0000		
009D				0000		
009E	Timer Register 15	—	TMR15	0000		
009F				0000		

*mark in the address column indicates that there is a nonexistent bit in its register.
 *SUNSTAR电子元器件 <http://www.sunstare.com/> TEL: 0755-83376282 FAX:0755-83376182 E-MAIL:szsss20@163.com

SFR (Continued)

Address [H]	Name	Abbreviated Name (BYTE)	Abbreviated Name (WORD)	R/W	8/16 Operation	Reset Status														
00A0	Timer Register 16	—	TMR16	R/W	16	0000														
00A1																				
00A2	Timer Register 17	—	TMR17			R/W	16	0000												
00A3																				
00A4	TMR4 Buffer Register	—	TMR4BF					R/W	16	0000										
00A5																				
00A6	TMR5 Buffer Register	—	TMR5BF							R/W	16	0000								
00A7																				
00A8	TMR6 Buffer Register	—	TMR6BF									R/W	16	0000						
00A9																				
00AA	TMR7 Buffer Register	—	TMR7BF											R/W	16	0000				
00AB																				
00AC	TMR12 Buffer Register	—	TMR12BF													R/W	16	0000		
00AD																				
00AE	TMR13 Buffer Register	—	TMR13BF															R/W	16	0000
00AF																				
00B0☆	RTO Control Register 0	RTOCON0	—	R/W	8															F8
00B1☆	RTO Control Register 1	RTOCON1	—																	F8
00B2☆	RTO Control Register 2	RTOCON2	—			F8														
00B3☆	RTO Control Register 3	RTOCON3	—			F8														
00B4☆	RTO Control Register 4	RTOCON4	—			FC														
00B5☆	RTO Control Register 5	RTOCON5	—			FC														
00B6☆	RTO Control Register 6	RTOCON6	—			F8														
00B7☆	RTO Control Register 7	RTOCON7	—			F8														
00B8	RTO Control Register 8	RTOCON8	—			00														
00B9☆	RTO Control Register 9	RTOCON9	—			F8														
00BA☆	RTO Control Register 10	RTOCON10	—			F8														
00BB☆	RTO Control Register 11	RTOCON11	—			F8														
00BC☆	RTO Control Register 12	RTOCON12	—			F8														
00BD☆	RTO Control Register 13	RTOCON13	—			F8														
00BE☆	RTO Control Register 14	RTOCON14	—			F8														
00BF☆	Timer Counter 0 Low-order 3 bits	TM0L	—			1F														
00C0	Timer Counter 0	—	TM0	R	8	0000														
00C1																				
00C2	Timer Counter 1	—	TM1			R	8	0000												
00C3																				
00C4☆	TMR0 Low-order 3 Bits	TMR0L	—					R	8	Undefined										
00C5☆	TMR1 Low-order 3 Bits	TMR1L	—							Undefined										
00C6☆	TMR2 Low-order 3 Bits	TMR2L	—							Undefined										
00C7☆	TMR3 Low-order 3 Bits	TMR3L	—							Undefined										

SFR (Continued)

Address [H]	Name	Abbreviated Name (BYTE)	Abbreviated Name (WORD)	R/W	8/16 Operation	Reset Status
00C8☆	Event Dividing Counter 0	EVDV0	—	R/W	8	C0
00C9☆	Event Dividing Counter 1	EVDV1	—			C0
00CA☆	Event Dividing Counter 2	EVDV2	—			C0
00CB☆	Event Dividing Counter 3	EVDV3	—			C0
00CC☆	EVDV0 Buffer Register	EVDV0BF	—			C0
00CD☆	EVDV1 Buffer Register	EVDV1BF	—			C0
00CE☆	EVDV2 Buffer Register	EVDV2BF	—			C0
00CF☆	EVDV3 Buffer Register	EVDV3BF	—			C0
00D0	A/D Result Register 0	ADCR0	ADCR0W	R/W (*1)	8/16 (*1)	Undefined
00D1	A/D Result Register 1	ADCR1	ADCR1W			
00D2	A/D Result Register 2	ADCR2	ADCR2W			
00D3	A/D Result Register 3	ADCR3	ADCR3W			
00D4	A/D Result Register 4	ADCR4	ADCR4W			
00D5	A/D Result Register 5	ADCR5	ADCR5W			
00D6	A/D Result Register 6	ADCR6	ADCR6W			
00D7	A/D Result Register 7	ADCR7	ADCR7W			
00D8	A/D Result Register 8	ADCR8	ADCR8W			
00D9	A/D Result Register 9	ADCR9	ADCR9W			
00DA	A/D Result Register 10	ADCR10	ADCR10W			
00DB	A/D Result Register 11	ADCR11	ADCR11W			
00DC	A/D Result Register 12	ADCR12	ADCR12W			
00DD	A/D Result Register 13	ADCR13	ADCR13W			
00DE	A/D Result Register 14	ADCR14	ADCR14W			
00DF	A/D Result Register 15	ADCR15	ADCR15W			
00E0☆	A/D Control Register L	ADCONL	—	R/W	8	80
00E1☆	A/D Control Register H	ADCONH	—			80
00E2	Timer Control Register	TMCON	—			00
00E3☆	TM Setting Register 2	TMSEL2	—			C0
00E4	TM Setting Register	—	TMSEL		16	0000
00E5☆						
00E6	TMR Mode Register	TMRMODE	—		8	00
00E7☆	TMR Mode Register 2	TMRMODE2	—			C0
00E8	Capture Control Register	—	CAPCON		16	0000
00E9☆						
00EA	Capture Control Register 2	CAPCON2	—		8	00
00EB	PWM RUN Register	PWRUN	—			00
00EC	PWM Control Register 0	PWCON0	—			00
00ED	PWM Control Register 1	PWCON1	—			00
00EE	PWM Control Register 2	PWCON2	—			00
00EF	PWM Control Register 3	PWCON3	—			00
				00		

SFR (Continued)

Address [H]	Name	Abbreviated Name (BYTE)	Abbreviated Name (WORD)	R/W	8/16 Operation	Reset Status
00F0	PWM Interrupt Register 0	PWINTQ0	PWINTQ	R/W	8/16	00
00F1	PWM Interrupt Register 1	PWINTQ1				00
00F2	PWM Interrupt Enable Register 0	PWINTQ0	PWINTE			00
00F3	PWM Interrupt Enable Register 1	PWINTQ1				00
00F4	SCI0 Transmit/Receive Buffer Register	S0BUF	—		8	Undefined
00F5	SCI0 Status Register	S0STAT	—			00
00F6	SCI1 Transmit/Receive Buffer Register	S1BUF	—			Undefined
00F7	SCI1 Status Register	S1STAT	—			00
00F8☆	General-purpose 8-bit Timer Control Register	GTMCON	—			30
00F9	8-bit Event Counter	GEVC	—			00
00FA	General-purpose 8-bit Timer Counter	GTMC	—			00
00FB	General-purpose 8-bit Timer Register	GTMR	—			00
00FC☆	Event Control Register	EVNTCONL	—			88
00FD☆		EVNTCONH	—			88
00FE	Emulator Use Area					
00FF	* Note 3					
0100	Memory Size Acceptor	MEMSACP	—	W	8	"0"
0101☆	Memory Size Control Register	MEMSCON	—	R/W		FC
0102						
0103						
0104						
0105						
0106						
0107☆	Peripheral Control Register	PRPHF	—	R/W	8	(*3)
0108☆	NMI Control Register	NMICON	—			FC or 7C
0109☆	External Interrupt Control Register	EXICON	—			00
010A						
010B						
010C						
010D						
010E						
010F						
0110	SCI0 Timer	—	S0TM	R/W	16	0000
0111						
0112☆	SCI0 Timer Control Register	S0CON	—		8	02
0113☆	SCI0 Transmit Control Register	ST0CON	—			8A
0114☆	SCI0 Receive Control Register	SROCON	—			1A
0115						
0116						
0117						

SFR (Continued)

Address [H]	Name	Abbreviated Name (BYTE)	Abbreviated Name (WORD)	R/W	8/16 Operation	Reset Status
0118	SCI1 Timer	—	S1TM		16	0000
0119						
011A☆	SCI1 Timer Control Register	S1CON	—	R/W	8	02
011B☆	SCI1 Transmit Control Register	ST1CON	—			88
011C☆	SCI1 Receive Control Register	SR1CON	—			08
011D						
011E☆	TBC Clock Dividing Counter	TBCKDVC	—	R	8	F0
011F☆	TBC Clock Dividing Register	TBCKDVR	—	R/W		F0
0120						
0121						
0122						
0123						
0124						
0125						
0126						
0127						

☆ mark in the address column indicates that there is a nonexistent bit in its register.

*1 The 8/16 bit operation for the ADCR items is a special word manipulation. If a byte access is made, high-order 8 bits of the A/D Result register are accessed, and if a word access is made, the 10-bit contents of the A/D Result register are accessed.

Data can be written in the even number A/D Result registers and the odd number A/D Result registers separately.

When data is first written in the A/D Result register 0 (ADCR0), data is also written in other even number A/D Result registers at a time. When data is first written in the A/D Result register 1 (ADCR1), data is also written in other odd A/D Result registers at a time.

*2 Do not access the emulator use area.

*3 The initial values of PRPHF (SFR=107H) are as follows:

At reset by \overline{RES} pin: VBFF (bit 6) is "1"; CKOUT1 (bit 1) and CKOUT0 (bit 0) are "0".

At reset by WDT and BRK instructions and operation code trap: VBFF (bit 6) holds the value just before reset; CKOUT1 (bit 1) and CKOUT0 (bit 0) are "0".

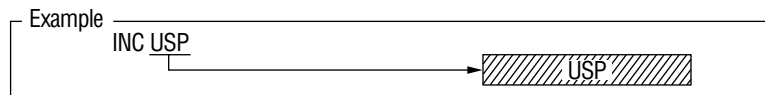
In both cases, the \overline{OE} pin status is read for OERD (bit 7).

ADDRESSING MODES

The MSM66589/66P589/66Q589 provides independent 64K-byte data and 128K-byte program spaces with various types of addressing modes. These modes are shown below for both RAM (for data space) and ROM (for program space).

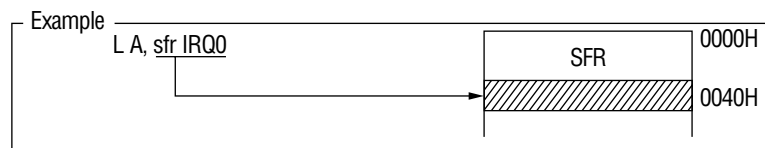
RAM Addressing Mode (for data space)

- Register addressing

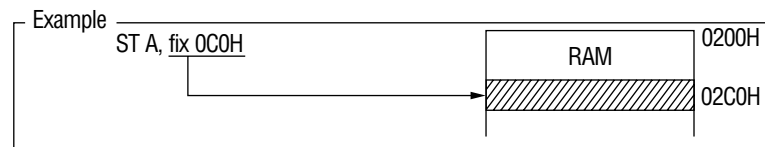


- Page addressing

- a) sfr page



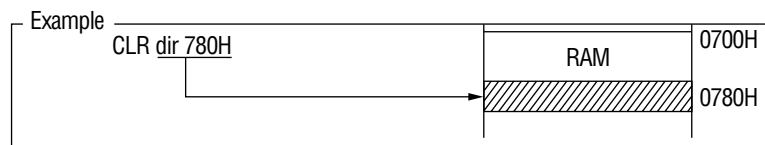
- b) Fixed page



- c) Current page

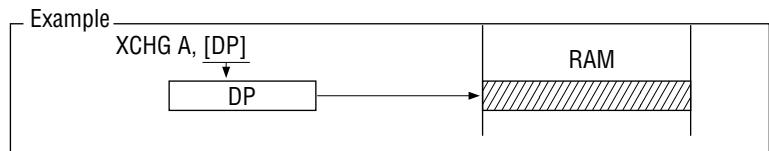


- Direct data addressing

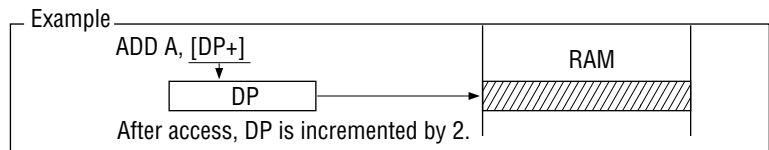


• **Pointing register indirect addressing**

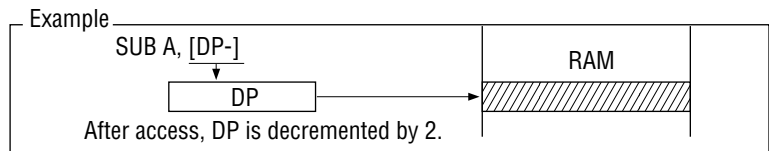
a) DP/X1 indirect



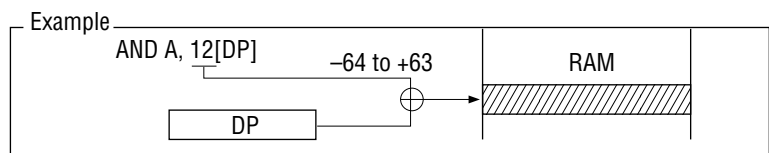
b) Post increment DP indirect



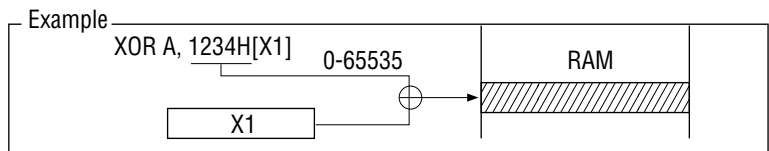
c) Post decrement DP indirect



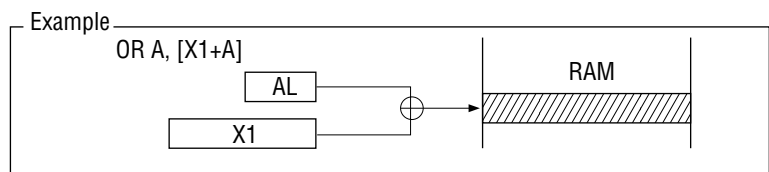
d) DP/USP indirect with 7-bit displacement



e) X1/X2 indirect with 16-bit base

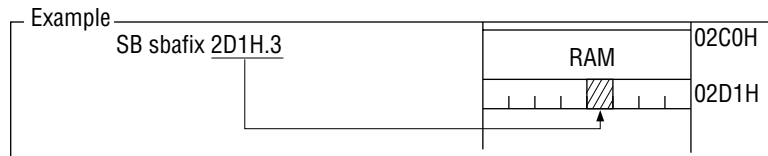


f) X1 indirect with 8-bit register (A, R0) displacement

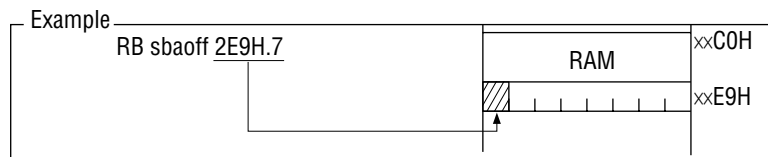


• **Special bit area addressing**

a) Fixed page SBA area (02C0H to 02FFH)

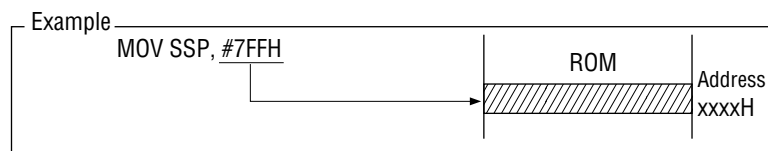


b) Current page SBA area (××C0H to ××FFH)



ROM Addressing Mode (for program space)

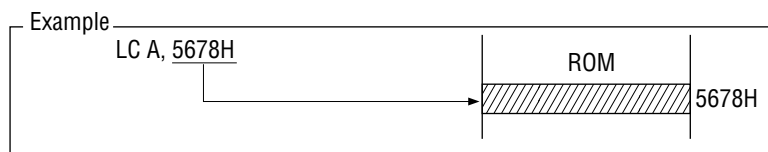
• **Immediate addressing**



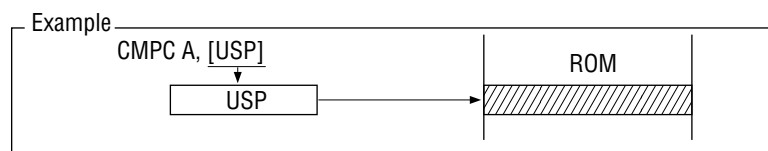
• **Table data addressing**

TSR specifies the address segment.

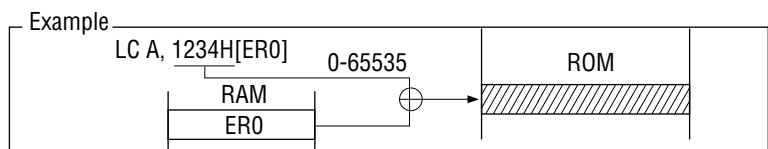
a) Direct



b) RAM addressing indirect

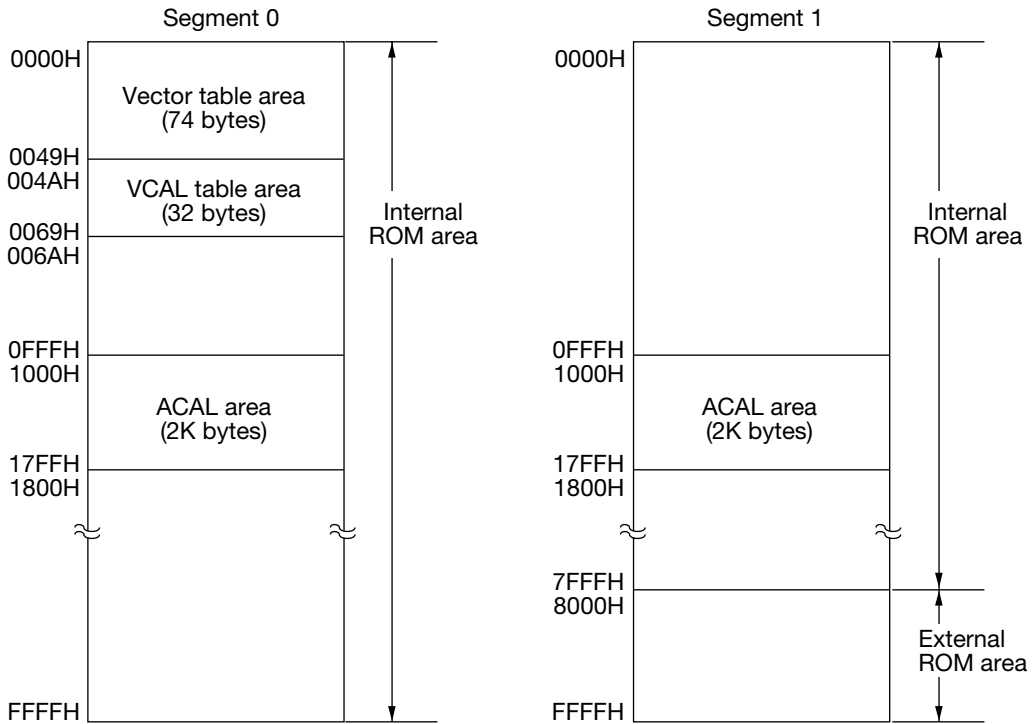


c) RAM addressing indirect with 16-bit base

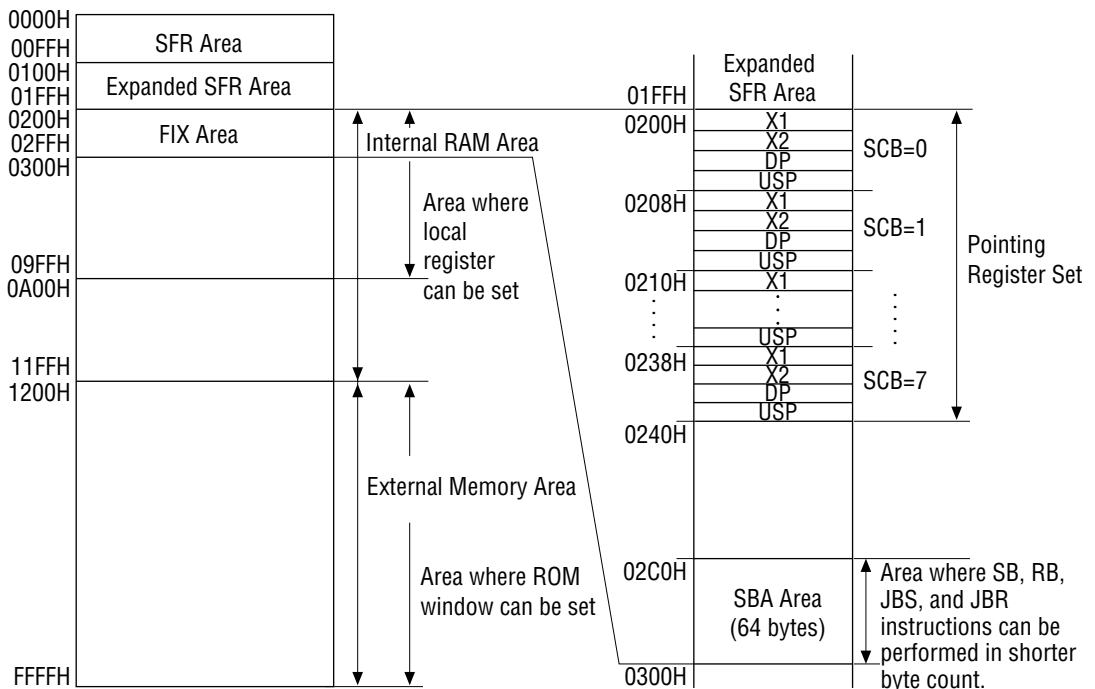


MEMORY MAP

Program Memory Space



Data Memory Space



ABSOLUTE MAXIMUM RATINGS

Parameter	Symbol	Condition		Rating	Unit
Digital Power Supply Voltage	V_{DD}	GND=AGND=0 V $T_a = 25^\circ\text{C}$		-0.3 to +7.0	V
Input Voltage	V_I			-0.3 to $V_{DD}+0.3$	
Output Voltage	V_O			-0.3 to $V_{DD}+0.3$	
Analog Power Supply Voltage	AV_{DD}			-0.3 to $V_{DD}+0.3$	
Analog Reference Voltage	V_{REF}			-0.3 to $V_{DD}+0.3$ and -0.3 to $AV_{DD}+0.3$	
Analog Input Voltage	V_{AI}			-0.3 to V_{REF}	
High-voltage Tolerant Input Voltage ^{*1}	V_{HV}			-0.3 to +13	
Power Dissipation	P_D	$T_a=85^\circ\text{C}$	Per package	855	mW
			Per output	50	
Storage Temperature	T_{STG}	—		-50 to +150	$^\circ\text{C}$

*1 Applied to \overline{EA} (only for MSM66Q589)

Apply a high voltage to the \overline{EA} pin after a voltage within the range (4.75 to 5.25 V) guaranteed for operation is applied to V_{DD} .

Remove a high voltage from the \overline{EA} pin while a voltage within the range (4.75 to 5.25 V) guaranteed for operation is being applied to V_{DD} .

RECOMMENDED OPERATING CONDITIONS

Parameter	Symbol	Condition	Range	Unit	
Digital Power Supply Voltage	V_{DD}	$f_{OSC} \leq 20$ MHz	4.5 to 5.5	V	
Digital Power Supply Voltage during Flash ROM Programming	V_{WR} ^{*1}	$T_a=0$ to $+70^\circ\text{C}$	4.75 to 5.25		
Analog Power Supply Voltage	AV_{DD}	$V_{DD}=AV_{DD}$	4.5 to 5.5		
Analog Reference Voltage	V_{REF}	—	$AV_{DD}-0.3$ to AV_{DD}		
Analog Input Voltage	V_{AI}	—	AGND to V_{REF}		
Memory Hold Voltage	V_{DDH}	$f_{OSC}=0$ Hz	2.0 to 5.5		
Operating Frequency	f_{OSC}	$V_{DD}=5$ V $\pm 10\%$	0 to 20		MHz
Ambient Temperature	T_a	—	-40 to +85	$^\circ\text{C}$	
Ambient Temperature during Flash ROM Programming	T_{WR} ^{*1}	$V_{DD}=4.75$ to 5.25 V	0 to +70		
Fan Out	N	MOS load		20	—
		TTL load	P0, P5_4, P5_5, P7_0, P7_1	2	
			P1 to P11 (except P5_4, P5_5, P7_0, P7_1)	1	

*1 Only for MSM66Q589

ELECTRICAL CHARACTERISTICS

DC Characteristics

(V_{DD}=5 V±10%, T_a=-40 to +85°C)

Parameter	Symbol	Condition	Min.	Typ.	Max.	Unit
H Level Input Voltage 1	V _{IH}	-	2.2	-	V _{DD} +0.3	V
H Level Input Voltage 2, 4, 5, 6, 7			0.80V _{DD}	-	V _{DD} +0.3	
L Level Input Voltage 1	V _{IL}	-	-0.3	-	0.8	
L Level Input Voltage 2, 4, 5, 6, 7			-0.3	-	0.2V _{DD}	
H Level Output Voltage 1, 4	V _{OH}	I _{OH} =-400 μA	V _{DD} -0.4	-	-	
H Level Output Voltage 2		I _{OH} =-200 μA	V _{DD} -0.4	-	-	
L Level Output Voltage 1, 4	V _{OL}	I _{OL} =3.2 mA	-	-	0.4	
L Level Output Voltage 2		I _{OL} =1.6 mA	-	-	0.4	
Input Leakage Current 3, 6	I _{IH} /I _{IL}	V _I =V _{DD} /0 V	-	-	1/-1	μA
Input Current 5			-	-	1/-250	
Input Current 7			-	-	15/-15	
H Level Output Current 1, 4	I _{OH}	V _O =2.4 V	-2	-	-	mA
H Level Output Current 2			-1	-	-	
L Level Output Current 1, 4	I _{OL}		10	-	-	
L Level Output Current 2			5	-	-	
Output Leakage Current 1, 2, 4	I _{LO}	V _O =V _{DD} /0 V	-	-	±2	μA
Input Capacitance	C _I	f=1 MHz, T _a =25°C	-	5	-	pF
Output Capacitance	C _O		-	7	-	
Analog Reference Current	I _{REF}	A/D in operation	-	-	6	mA
		A/D stopped	-	-	10	μA
Current Consumption (in STOP mode)	I _{DDS}	V _{DD} =2 V, T _a =25°C*	-	0.2	10	μA
		*	-	1	100	
Current Consumption (in HALT mode)	I _{DDH}	f _{OSC} =20 MHz No load	-	45	70	mA
			-	80	140	
Current Consumption	I _{DD}					

1. Applied to P0
 2. Applied to P1 to P11 (except P5_4, P5_5, P7_0, P7_1)
 3. Applied to A_{IN}
 4. Applied to P5_4, P5_5, P7_0, P7_1
 5. Applied to $\overline{\text{RES}}$
 6. Applied to $\overline{\text{EA}}$, $\overline{\text{OE}}$, NMI
 7. Applied to OSC0
- * Ports for input pins are V_{DD} or GND, otherwise no load.

AC Characteristics

• External program memory control

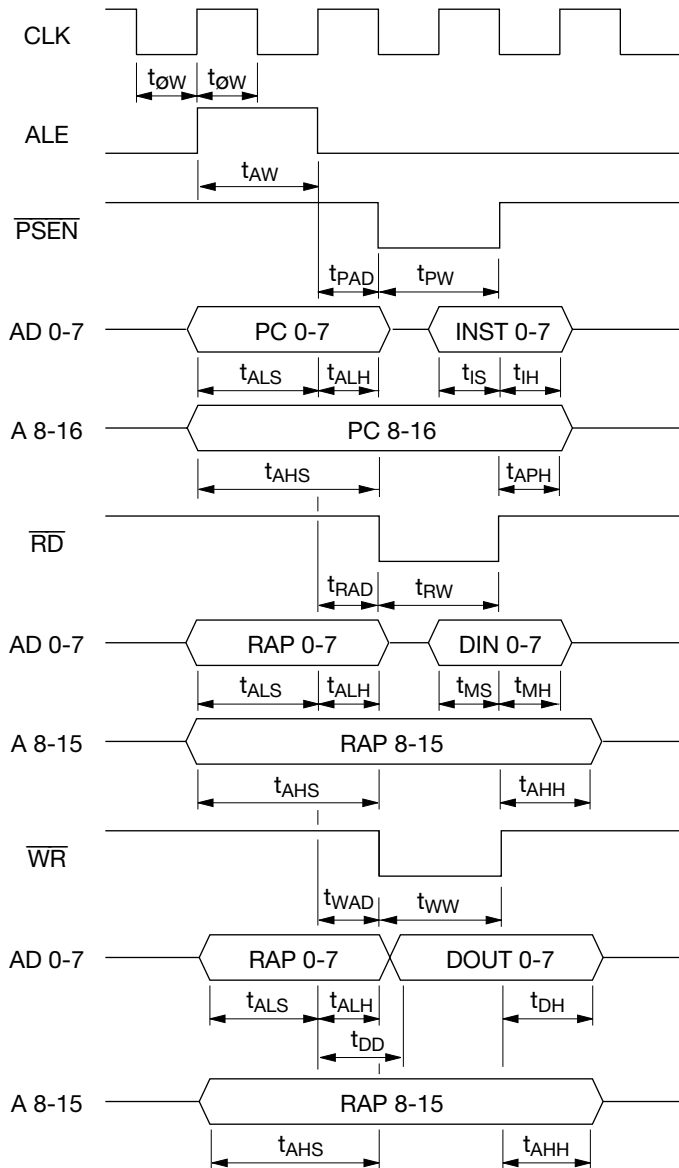
(V_{DD}=5 V±10%, T_a=-40 to +85°C)

Parameter	Symbol	Condition	Min.	Max.	Unit
Clock (OSC) pulse width	t _{oW}	—	25	—	nsec
ALE pulse width	t _{AW}	C _L =50 pF	2t _{oW} -10	—	
PSEN pulse width	t _{PW}		2t _{oW} -10	—	
PSEN pulse delay time	t _{PAD}		t _{oW} -10	t _{oW} +5	
Low-order address set-up time	t _{ALS}		2t _{oW} -20	2t _{oW} +0	
Low-order address hold time	t _{ALH}		t _{oW} -10	t _{oW} +5	
High-order address set-up time	t _{AHS}		3t _{oW} -25	3t _{oW} +0	
High-order address hold time	t _{APH}		0	t _{oW} +20	
Instruction set-up time	t _{IS}		30	—	
Instruction hold time	t _{IH}		0	t _{oW} -10	

• External data memory control

(V_{DD}=5 V±10%, T_a=-40 to +85°C)

Parameter	Symbol	Condition	Min.	Max.	Unit
Clock (OSC) pulse width	t _{oW}	—	25	—	nsec
ALE pulse width	t _{AW}	C _L =50 pF	2t _{oW} -10	—	
RD pulse width	t _{RW}		2t _{oW} -10	—	
WR pulse width	t _{WW}		2t _{oW} -10	—	
RD pulse delay time	t _{RAD}		t _{oW} -10	t _{oW} +5	
WR pulse delay time	t _{WAD}		t _{oW} -10	t _{oW} +5	
Low-order address set-up time	t _{ALS}		2t _{oW} -20	2t _{oW} +0	
Low-order address hold time	t _{ALH}		t _{oW} -10	t _{oW} +5	
High-order address set-up time	t _{AHS}		3t _{oW} -25	3t _{oW} +0	
High-order address hold time	t _{AHH}		t _{oW} -0	t _{oW} +20	
Memory data set-up time	t _{MS}		30	—	
Memory data hold time	t _{MH}		0	t _{oW} -10	
Data set-up time	t _{DD}		t _{ALH} -0	t _{ALH} +15	
Data hold time	t _{DH}		t _{oW} -10	t _{oW} +20	



A/D CONVERTER CHARACTERISTICS

($T_a = -40$ to $+85^\circ\text{C}$, $AV_{DD} = V_{DD} = V_{REF} = 5\text{ V} \pm 10\%$, $AGND = GND = 0\text{ V}$, $f_{OSC} = 20\text{ MHz}$)

Parameter	Symbol	Condition	Min.	Typ.	Max.	Unit
Resolution	n	Refer to the measuring circuit. (Fig.1) Analog input source impedance $R_I \leq 5\text{ k}\Omega$ $t_{CONV} = 19.2\text{ }\mu\text{sec}$	—	—	10	Bit
Linearity Error	E_L		—	—	± 3	
Differential Linearity Error	E_D		—	—	± 1	
Zero Scale Error	E_{ZS}		—	—	+3	
Full Scale Error	E_{FS}		—	—	-3	
Crosstalk	E_{CT}	Refer to the measuring circuit. (Fig.2)	—	—	± 1	
Conversion Time	t_{CONV}	by ADTM set data	6.4	—	19.2	$\mu\text{s/CH}$

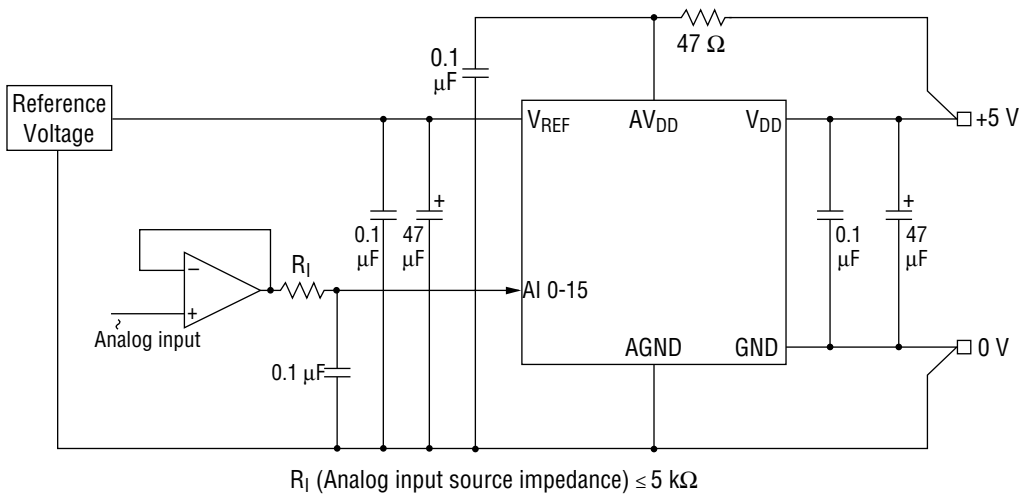


Fig.1 Measuring Circuit

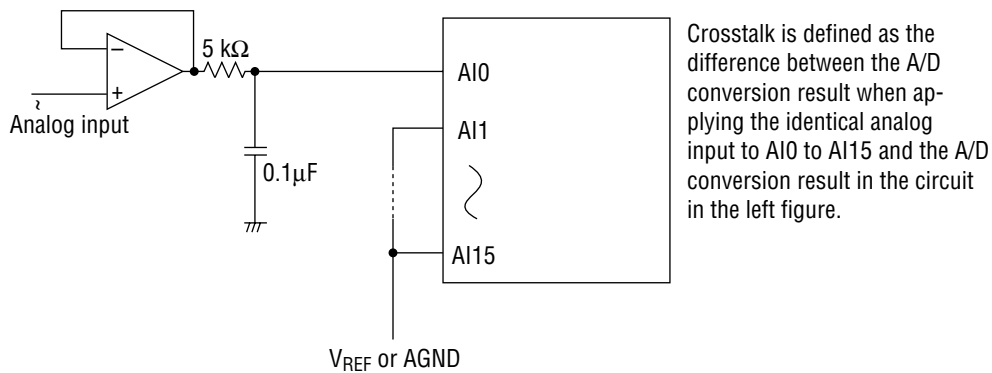


Fig.2 Crosstalk Measuring Circuit

Definitions of Terms

Resolution

The minimum distinguishable analog input value. For 10 bits, $2^{10}=1024$, i.e. $(V_{REF}-AGND) \div 1024$.

Linearity error

The variance between the ideal conversion characteristics as a 10-bit A/D converter and the actual conversion characteristics. (Quantized error is therefore not included.)

In the ideal conversion, a voltage between V_{REF} and AGND is divided into 1,024 equal steps.

Differential linearity error

The smoothness of the conversion. The width of analog input voltage corresponding to the change by one bit of digital output is $1 \text{ LSB}=(V_{REF}-AGND) \div 1024$ ideally. The variance between this ideal bit size and bit size at arbitrary point in the conversion range.

Zero scale error

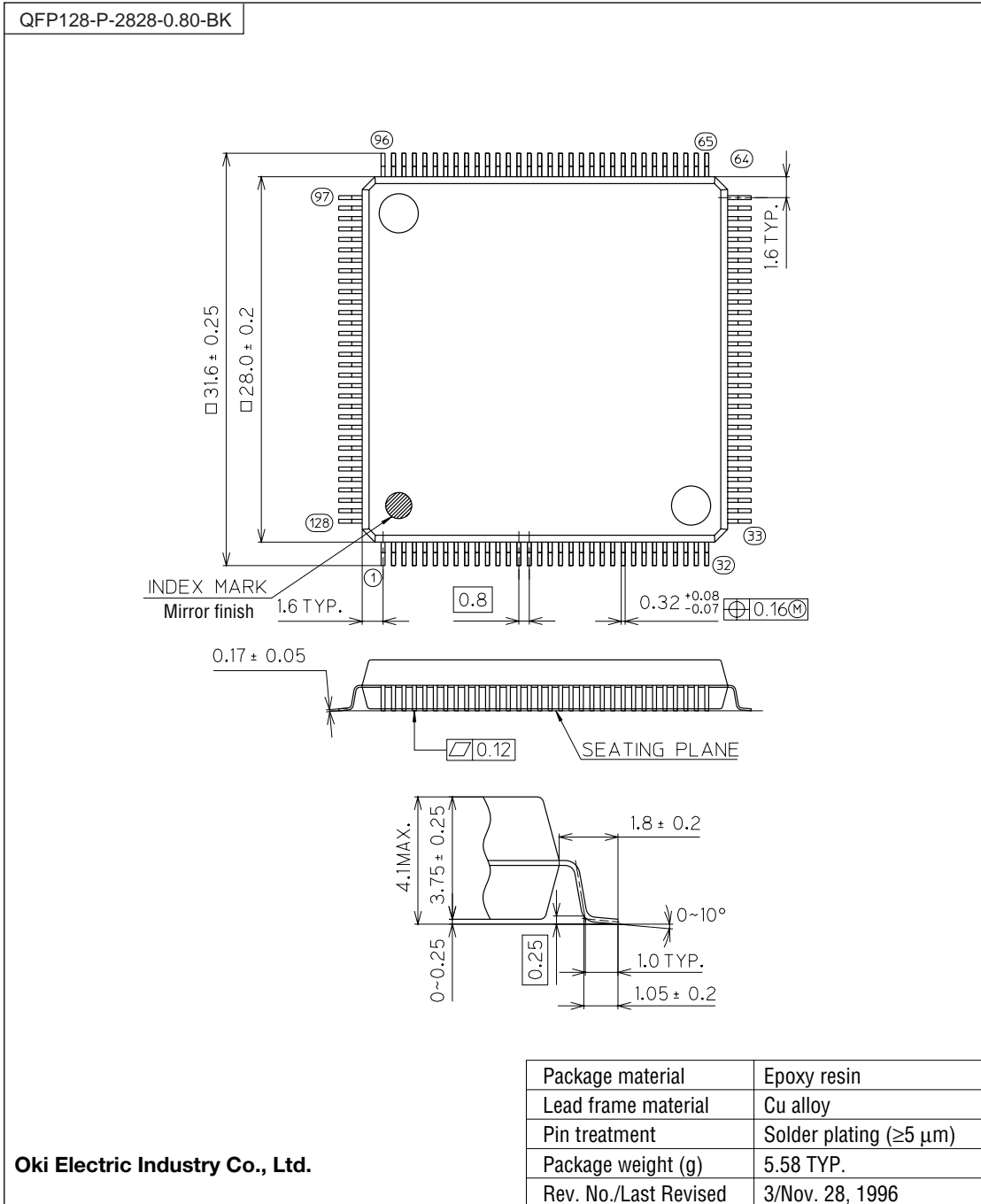
The variance between the ideal conversion characteristics at the switching point of digital output "000H to 001H" and actual conversion characteristics.

Full scale error

The variance between the ideal conversion characteristics at the switching point of digital output "3FEH to 3FFH" and actual conversion characteristics.

PACKAGE DIMENSIONS

(Unit : mm)



Notes for Mounting the Surface Mount Type Package

The SOP, QFP, TSOP, SOJ, QFJ (PLCC), SHP and BGA are surface mount type packages, which are very susceptible to heat in reflow mounting and humidity absorbed in storage.

Therefore, before you perform reflow mounting, contact Oki's responsible sales person for the product name, package name, pin number, package code and desired mounting conditions (reflow method, temperature and time).

NOTICE

1. The information contained herein can change without notice owing to product and/or technical improvements. Before using the product, please make sure that the information being referred to is up-to-date.
2. The outline of action and examples for application circuits described herein have been chosen as an explanation for the standard action and performance of the product. When planning to use the product, please ensure that the external conditions are reflected in the actual circuit, assembly, and program designs.
3. When designing your product, please use our product below the specified maximum ratings and within the specified operating ranges including, but not limited to, operating voltage, power dissipation, and operating temperature.
4. Oki assumes no responsibility or liability whatsoever for any failure or unusual or unexpected operation resulting from misuse, neglect, improper installation, repair, alteration or accident, improper handling, or unusual physical or electrical stress including, but not limited to, exposure to parameters beyond the specified maximum ratings or operation outside the specified operating range.
5. Neither indemnity against nor license of a third party's industrial and intellectual property right, etc. is granted by us in connection with the use of the product and/or the information and drawings contained herein. No responsibility is assumed by us for any infringement of a third party's right which may result from the use thereof.
6. The products listed in this document are intended for use in general electronics equipment for commercial applications (e.g., office automation, communication equipment, measurement equipment, consumer electronics, etc.). These products are not authorized for use in any system or application that requires special or enhanced quality and reliability characteristics nor in any system or application where the failure of such system or application may result in the loss or damage of property, or death or injury to humans. Such applications include, but are not limited to, traffic and automotive equipment, safety devices, aerospace equipment, nuclear power control, medical equipment, and life-support systems.
7. Certain products in this document may need government approval before they can be exported to particular countries. The purchaser assumes the responsibility of determining the legality of export of these products and will take appropriate and necessary steps at their own expense for these.
8. No part of the contents contained herein may be reprinted or reproduced without our prior permission.

Copyright 2000 Oki Electric Industry Co., Ltd.