

OKI 16-bit MICROCONTROLLER INFORMATION

Subject:

This shows the notice for using ML66525A-xxTB (Mask ROM version) or ML66Q525A-NTB (Flash ROM version).

The description of UDCKEN bit of P5IO register (P13-3 on ML66525 Family User's Manual) is not enough. Below correct the description of UDCKEN bit.

1. Description of UDCKEN bit

UDCKEN bit select clock supply for internal DMA control function.

In case of setting as UDCKEN="0"(DMA clock supply), internal DMA control function is operation.

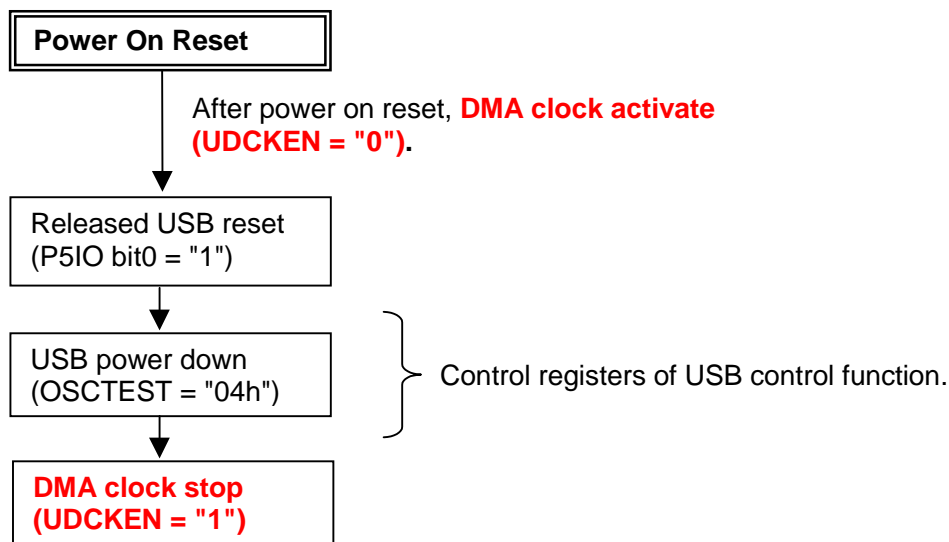
In case of setting as UDCKEN="1"(DMA clock stop), internal DMA control function stop operation and **CPU can not control USB control function registers (P17-20 and 17-21 on ML66525 Family User's Manual). When CPU control USB control function registers, UDCKEN bit must be clear (UDCKEN="0").**

Below show the control example when need to control USB control function registers at power on reset, start USB communication, and stop USB communication.

2. Control example of USB control function register with UDCKEN bit

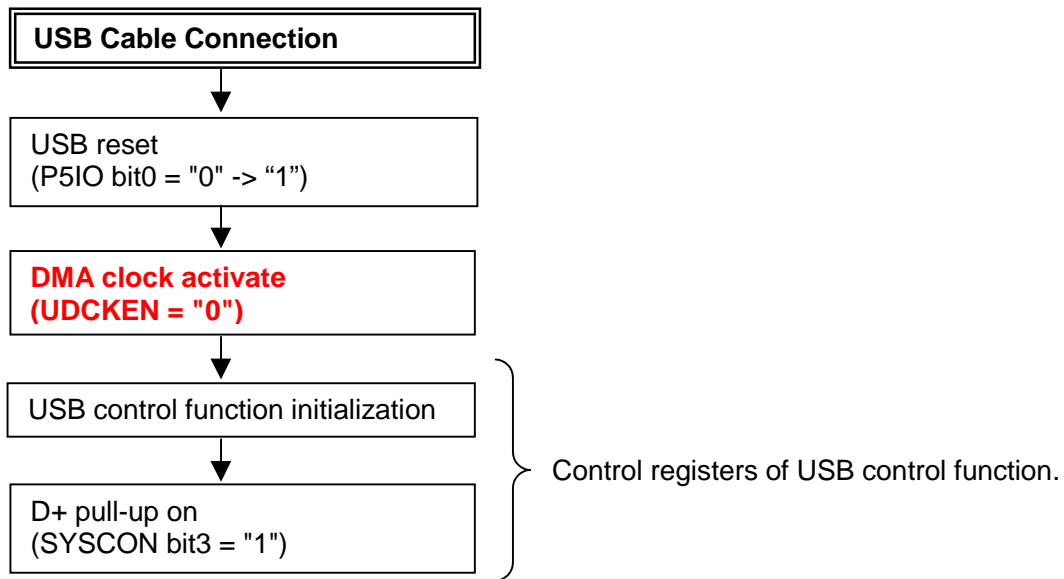
2-1. In case of "Power On Reset"

To stop operation of USB & Internal DMA control function, CPU control USB control function registers before "DMA clock stop".



2-2. In case of "Start USB Communication"

To start operation of USB & Internal DMA control function, CPU control USB control function registers after "DMA clock activate".



2-3. In case of "Stop USB Communication"

To stop operation of USB & Internal DMA control function, CPU control USB control function registers before "DMA clock stop".

